

AUTOMATIC SLIDING DOOR ENTRANCE DETAIL

KEYED NOTES

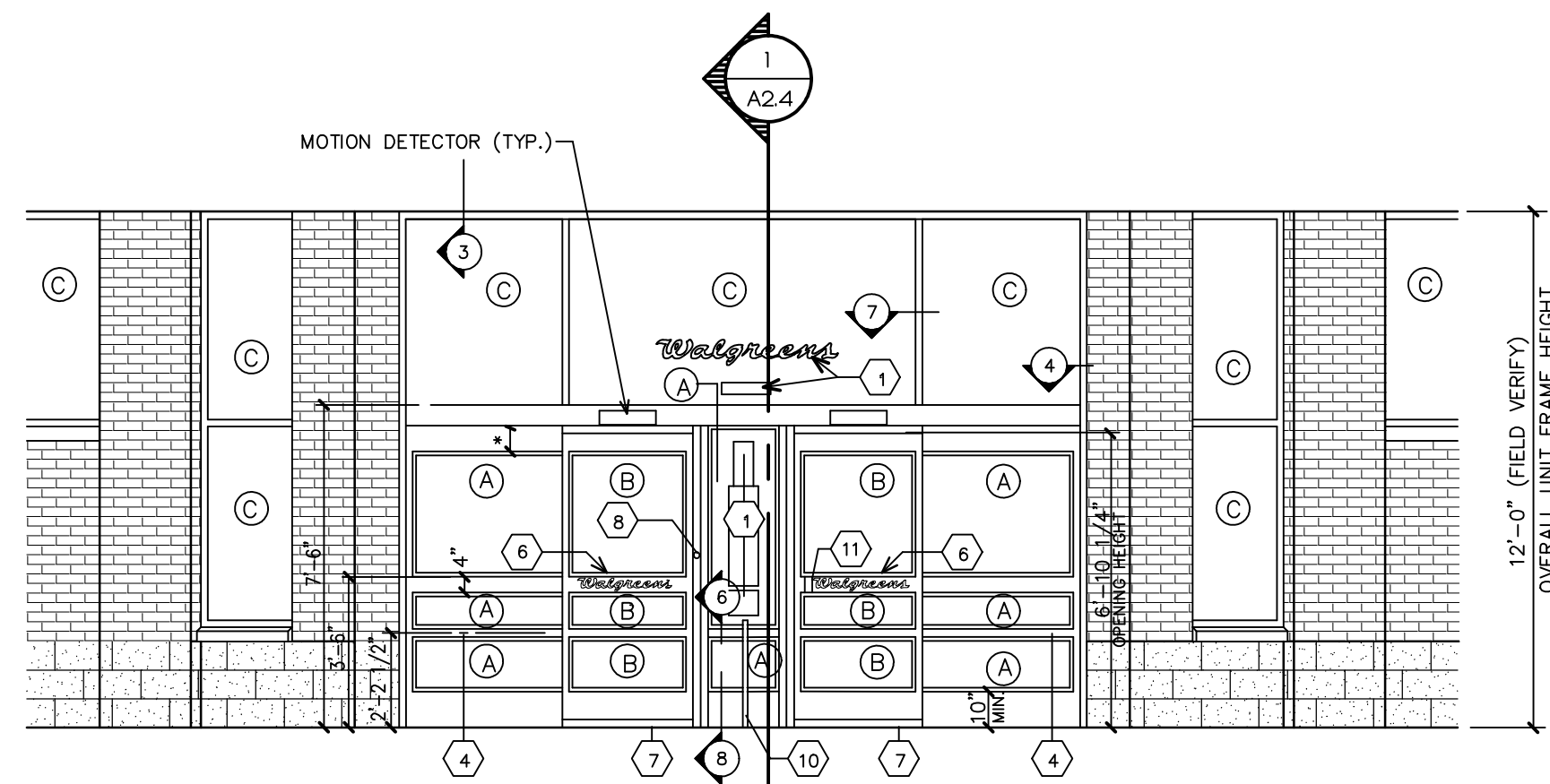
- 1) WALGREENS 50"W. X 5"H. RED TRANSOM DECAL SIGN, STORE ADDRESS DECAL, AND STORE HOURS SIGN BY WALGREENS.
- 2) N/A
- 3) N/A
- 4) 1 3/4" FLUSH CART BARS.
- 5) N/A
- 6) "IN EMERGENCY PUSH TO OPEN" DECAL (INSTALL ON MUNTIN BAR, STORE SIDE ONLY).
- 7) ALUMINUM THRESHOLD, (EXTEND FULL LENGTH OF OPENING), 1/4" X 4" WIDE X CONTINUOUS RIBBED W/ BEVELED EDGES ACROSS MASONRY OPENING.
- 8) KEYED ENTRY SWITCH 4'-0" A.F.F. KEY SWITCH TO BE KEYPED ALIKE TO THE ADAMS RITE DOOR HOOK LATCH.
- 9) SEE GENERAL FLOOR PLAN FOR THIS CONSTRUCTION. SEE SHEET D-1.
- 10) STAINLESS STEEL GUIDE RAIL 30"H. X 36"L (CORE DRILLED).
- 11) RECESSED PULL HANDLE IN MUNTIN BAR, (ENTRY DOOR ONLY).
- 12) BASE SET IN SEALANT TAPCON 1/4" X 1-3/4" @ 12" O.C.
- 13) ANCHORS 18" O.C. 6" FROM ENDS - TYP.(USE #4 POWDER DRIVEN @ STEEL, 1/4" MS @ WOOD, 1/4" TAPCON @ CONCRETE).
- 14) NOT USED
- 15) NOT USED
- 16) CONTINUOUS .062 OR EXTRUDED ALUMINUM SILL FLASHING, MATCH COLOR.
- 17) TYPICAL 1/4" BLOCKING BACKER ROD AND MATCHING SEALANT COLOR.

NOTE: COORDINATE FRAMES OF AUTOMATIC DOORS, WINDOW STOREFRONT, AND DRIVE-THRU WINDOW FINISHES TO MATCH.
 □ DARK BRONZE ■ CLEAR ANODIZED □ OTHER

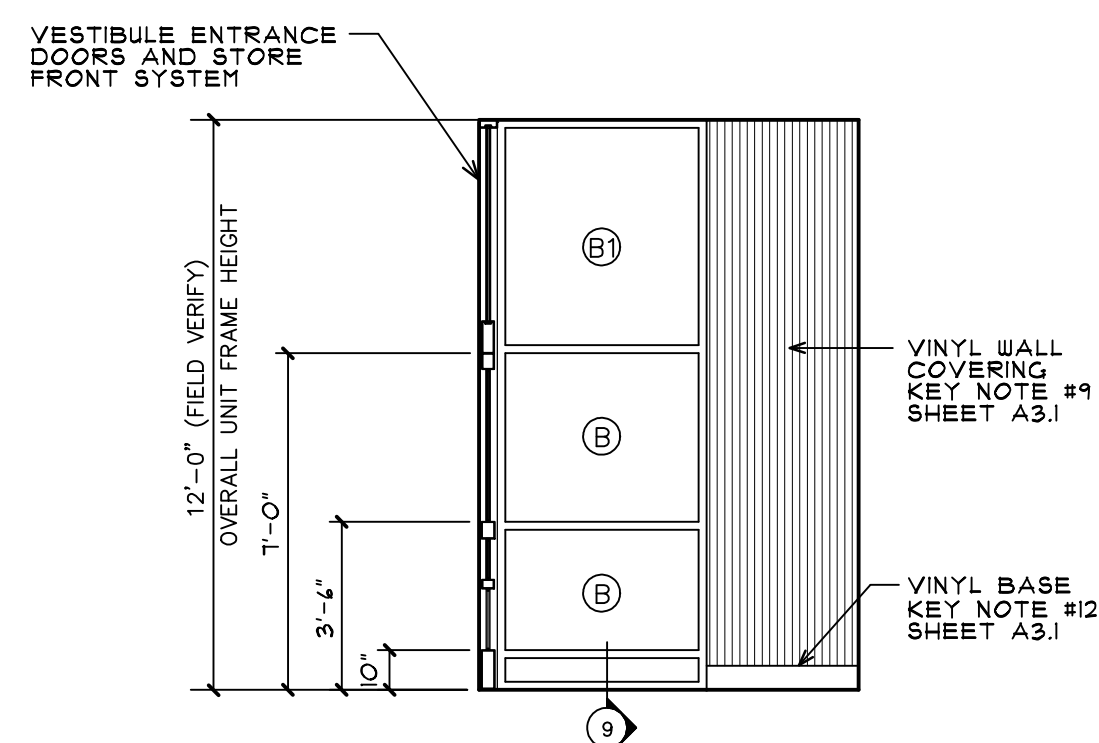
KEYED GLAZING NOTES

- A) CLEAR LOW-E INSULATED GLASS (LAMINATED SAFETY GLASS.)
- B) 1/4" CLEAR LAMINATED SAFETY GLASS.
- B1) 1/4" CLEAR GLASS.
- C) TINTED LOW-E INSULATED GLASS.
- C1) CLEAR LOW-E INSULATED GLASS.
- D) TOWER GLASS ABOVE TO BE 1/4" CLEAR.

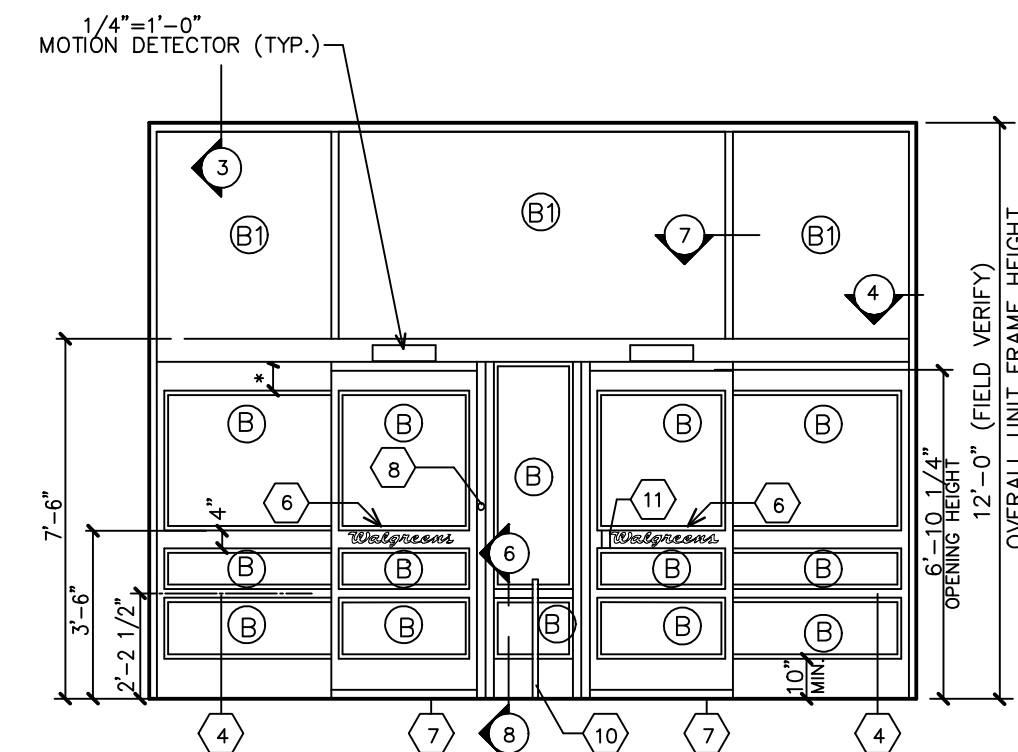
• SEE MANUFACTURER'S SHOP DRAWINGS.



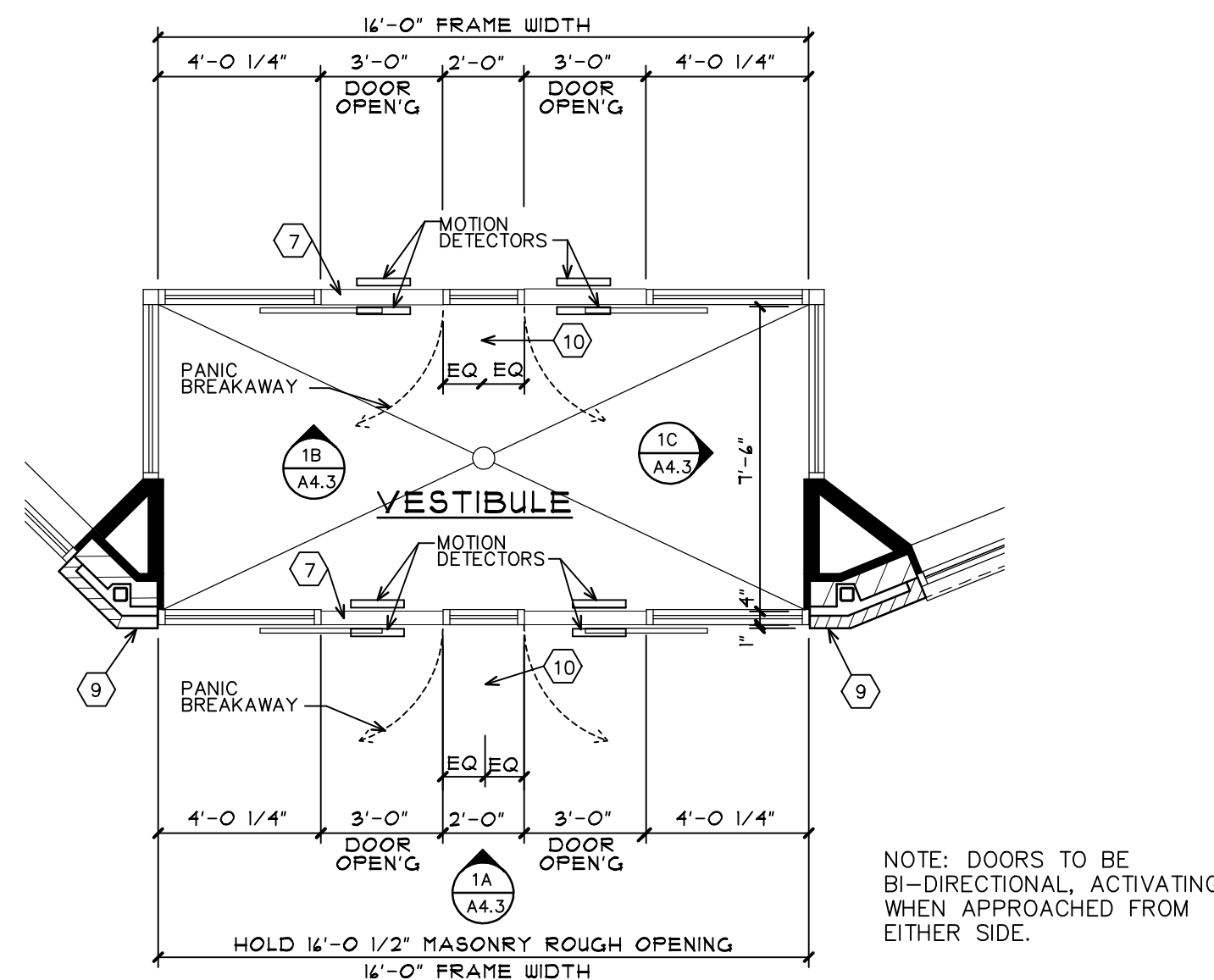
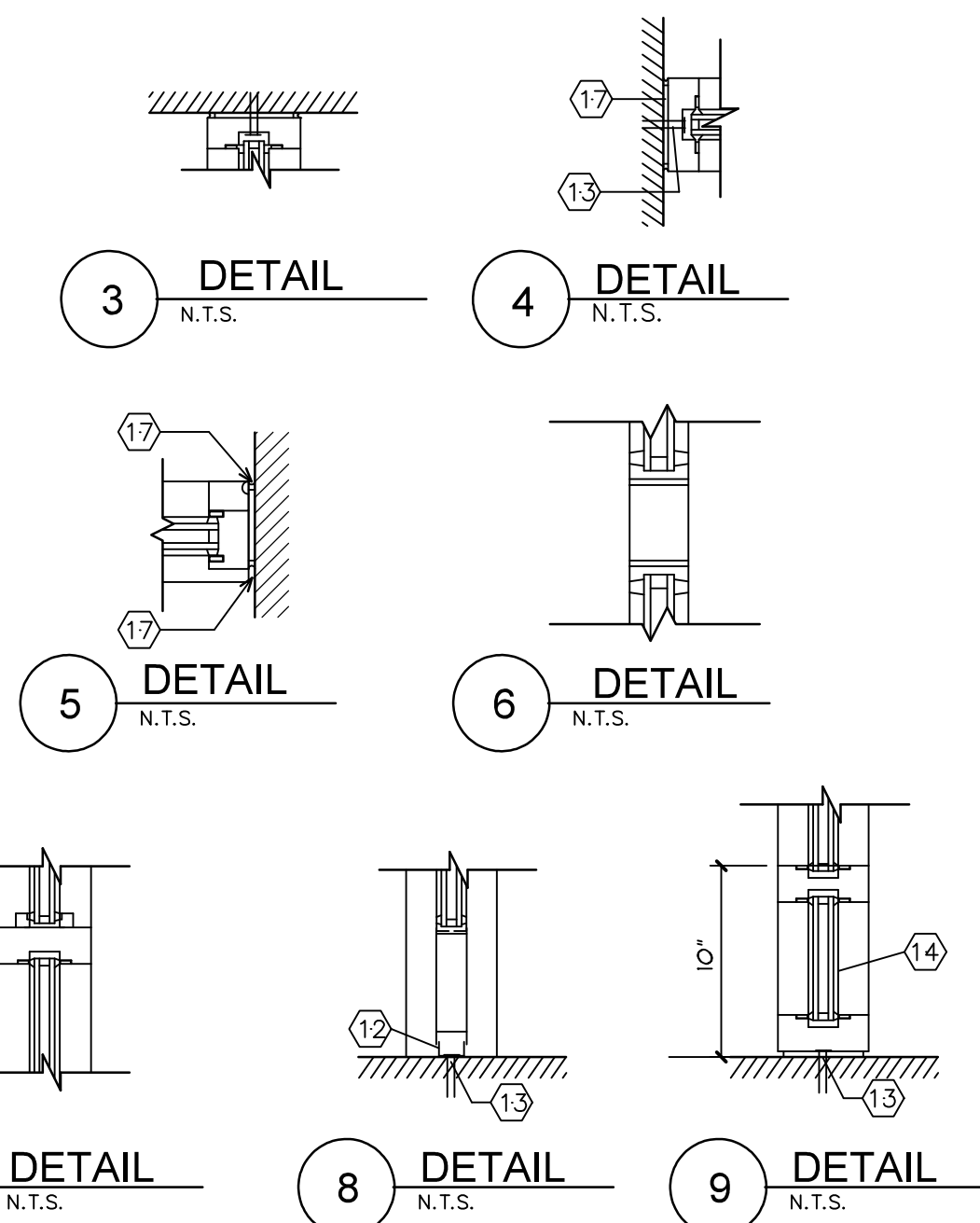
1A ELEVATION -- VESTIBULE EXTERIOR



1C INTERIOR VESTIBULE (OPPOSITE SIDE SIMILAR)
1/4"=1'-0"



1B ELEVATION -- VESTIBULE INTERIOR

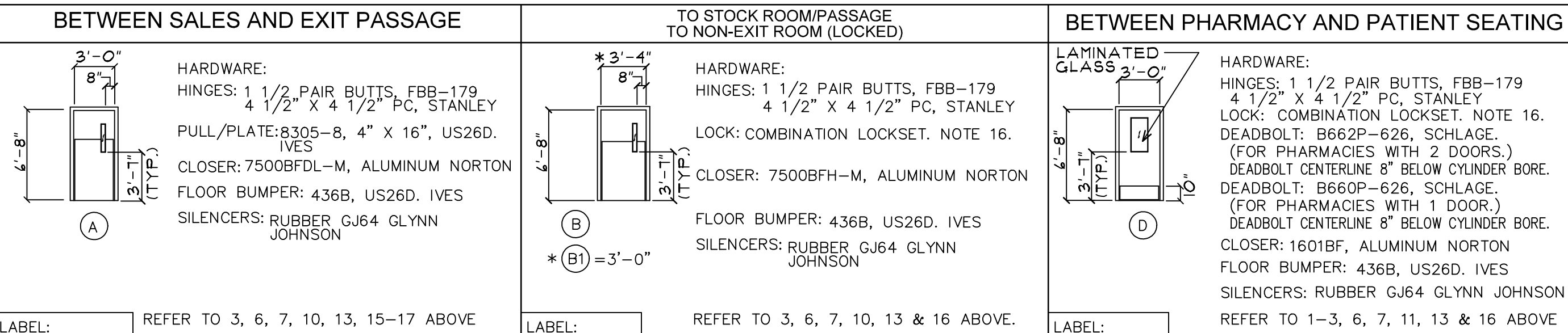


2 PLAN ENTRANCE DOOR
1/4"=1'-0"

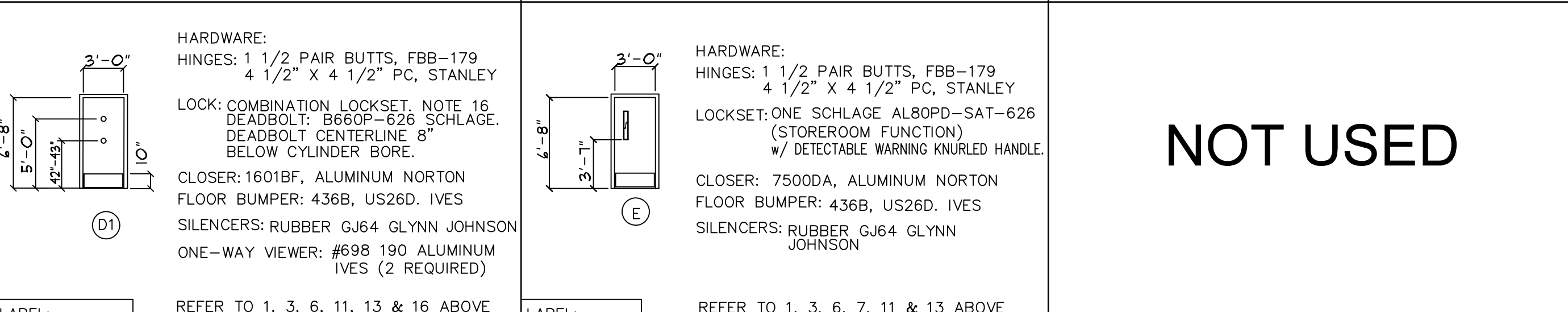
NOTE: DOORS TO BE BI-DIRECTIONAL, ACTIVATING WHEN APPROACHED FROM EITHER SIDE.

DOOR AND HARDWARE SCHEDULE

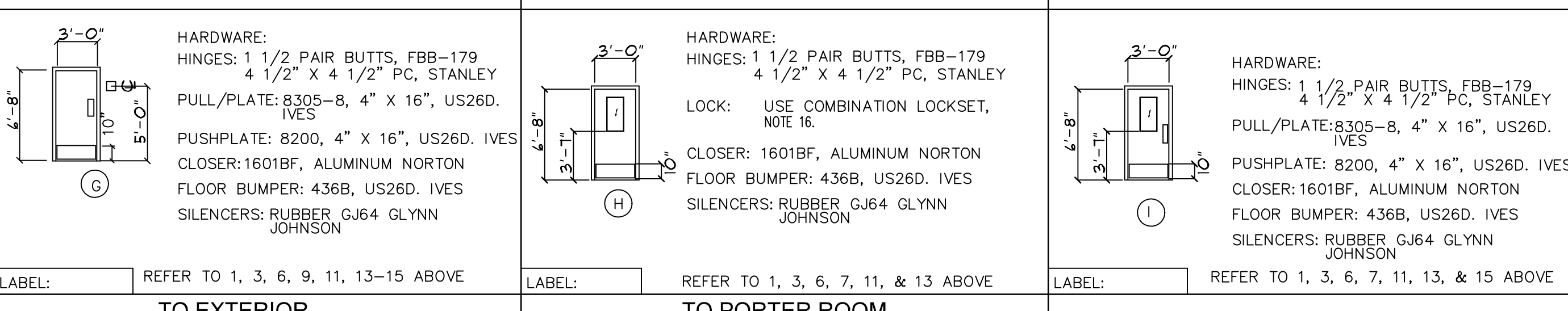
- 1) LOCKING HARDWARE TO USE STANDARD KEYS AND CYLINDERS. LOCKING HARDWARE TO BE KEYPED IN THREE SETS: A) PHARMACY DEADBOLTS SHALL BE KEYPED ALIKE. B) ALL COMBINATION LOCKSET OVERRIDE KEYS SHALL BE KEYPED ALIKE FOR SERVICE. C) ALL OTHER STORE HARDWARE WITH KEYS SHALL BE KEYPED ALIKE.
- 2) N/A
- 3) SEE FLOOR PLAN FOR DOOR SWINGS.
- 4) W.O. = WALL OPENING. VERIFY WITH FLOOR PLAN.
- 5) N/A
- 6) UNLESS NOTED OTHERWISE, INTERIOR DOORS ARE WOOD, EXTERIOR DOORS ARE METAL.
- 7) VISION PANELS: 4" W X 25" H WITH WIRE GLASS. DOORS "D", "H", AND "I" TO HAVE 15" W X 30" H LAMINATED SECURITY GLASS (ONE-WAY OR CLEAR AS DESCRIBED BELOW). USE ONE-WAY GLASS VISION PANELS: A) IN DOORS TO EXIT CORRIDORS B) IN DOORS FACING SALES AREA. EXCEPT DOOR "D" (ALWAYS CLEAR). APPLY REMOVABLE METAL GLASS STOPS OPPOSITE OF SECURE SIDE OF DOOR, EXCEPT IN PHARMACY, TO BE ON SECURE SIDE. PRIME AND PAINT.
- 8) EXIT DOORS: DURING BUSINESS HOURS EXIT DOORS SHALL BE OPERABLE FROM INSIDE WITHOUT USE OF A KEY. - HARDWARE SHALL CONFORM TO APPLICABLE ACCESSIBILITY STANDARDS. FIRE DOORS AND FRAMES SHALL BE U.L. "B" LABEL RATED 1 1/2 HOURS. EXTERIOR EXIT DOORS WILL ONLY HAVE DELAYED EGRESS (ALARM LOCK, MODEL 715) WITH SPECIAL AUTHORIZATION FROM WALGREENS LOSS PREVENTION.
- 9) NAME PLATES (TOILET ROOMS): COMMERCIAL GRADE A.D.A. COMPLIANT TACTILE SIGN (MEN, WOMEN, & HANDICAPPED). SIGNS TO HAVE BRILLE, REGULAR COPY AND PICTOGRAPH OF WHEEL CHAIR SIGN TO BE MOUNTED 60 A.F.F. ON WALL AT LATCH SIDE OF DOOR.
- 10) PROTECTION PLATES: SHALL BE STAINLESS STEEL, 20 GAUGE, US32D FINISH, 52" HIGH WITH OVERLAP TYPE DOOR EDGE PROTECTORS (STANDARD 18 GAUGE) APPLIED TO BOTH EDGES OF DOOR. MANUFACTURER: ROCKWOOD; (DOOR EDGE, PART #308 AND #309). NOTE: PART #309 IS TO BE APPLIED TO TAPERED EDGE OF DOOR ONLY.
- 11) KICK PLATES: SHALL BE STAINLESS STEEL 20 GAUGE WITH US32D FINISH, 10" HIGH AND 2" LESS THAN DOOR WIDTH. CLOSERS TO BE MOUNTED ON ROOM SIDE OF DOOR. ALL CLOSERS SHALL HAVE A MAXIMUM 5 POUNDS PER ADA. KICK PLATES ON BOTH SIDES.
- 12) N/A
- 13) SALES AREA DOOR CLOSERS TO BE MOUNTED ON SIDE OF DOOR OPPOSITE SALES AREA. OTHER INTERIOR DOOR CLOSERS TO BE MOUNTED ON ROOM SIDE OF DOOR. ALL CLOSERS SHALL HAVE A MAXIMUM 5 POUNDS PER ADA.
- 14) UNDERCUT DOOR 1"
- 15) N/A
- 16) COMBINATION LOCKSET WITH SERVICE KEY OVERRIDE: TRILOGY DL2700 BY ALARM LOCK, 1-800-252-5625 OR MARKS 101K/26MEV1, BY MARKS, U.S.A. 1-800-526-0233.
- 17) N/A



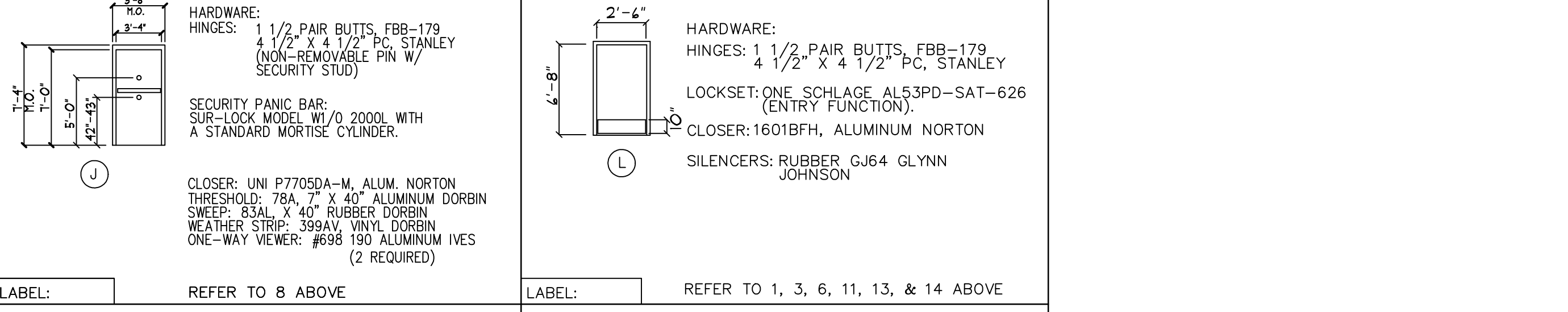
REFER TO 3, 6, 7, 10, 13, 15-17 ABOVE



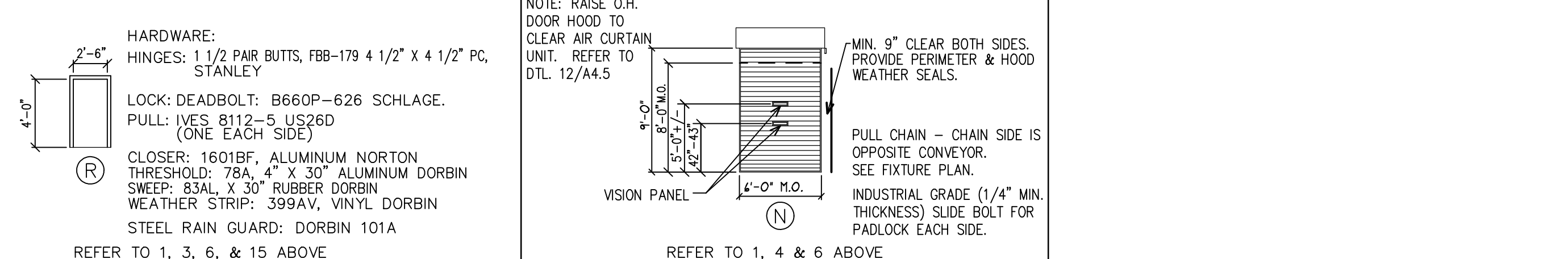
REFER TO 1, 3, 6, 11, 13 & 16 ABOVE



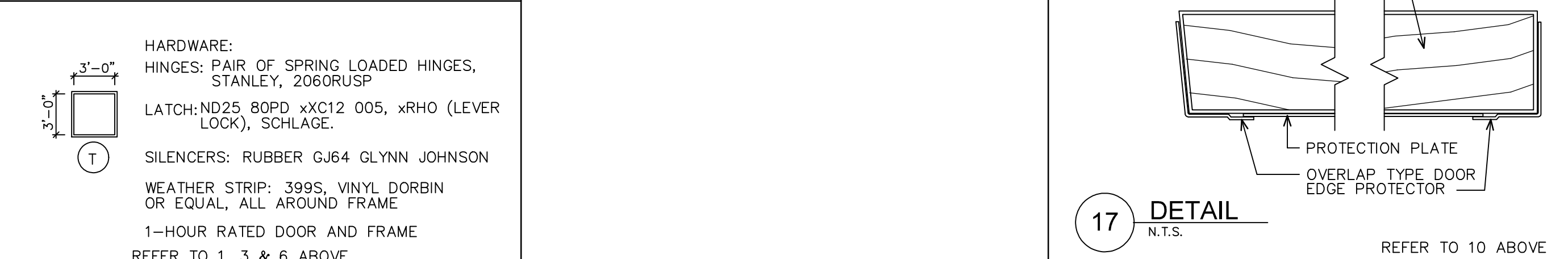
REFER TO 1, 3, 6, 9, 11, 13-15 ABOVE



REFER TO 8 ABOVE



REFER TO 1, 3, 6, & 15 ABOVE



REFER TO 1, 3 & 6 ABOVE

MOESER & ASSOCIATES
206 AYER ROAD HARVARD, MA 978-456-6905
ARCHITECT

DRAWINGS/SPECIFICATIONS BY:

WALGREENS
 LANDLORD'S CONSULTANT

ALL CONSTRUCTION WORK, UNLESS NOTED OTHERWISE, BY:

WALGREENS' CONTRACTOR
 LANDLORD'S CONTRACTOR (TURNKEY CONSTRUCTION)

STORE	BUILDING
NEW <input checked="" type="checkbox"/>	NEW <input checked="" type="checkbox"/>
REMODELING <input type="checkbox"/>	EXISTING <input type="checkbox"/>
RELOCATION <input type="checkbox"/>	NEW SHELL ONLY <input type="checkbox"/>
OTHERS <input type="checkbox"/>	

NOT USED

NO.	DATE	BY	DESCRIPTION	CONST
REVISIONS				

CERTIFICATION AND SEAL

I HEREBY CERTIFY THAT THIS PLAN AND SPECIFICATION WAS PREPARED BY ME OR UNDER MY DIRECT SUPERVISION AND THAT I AM A DULY REGISTERED ARCHITECT OR ENGINEER UNDER THE LAWS OF THE STATE OF MAINE AS SIGNIFIED BY MY HAND AND SEAL.

FISCAL 2007 CRITERIA - STORE #12326

WALGREENS
(NWC) WASHINGTON & ALLEN AVES.
PORTLAND, MAINE

DRAWING TITLE
STANDARD DETAILS

CADD PLOT:	SCALE: AS NOTED	DRAWING NO.
VOID PLOT:	DRAWN BY: TD	A4.3
RELEASED TO CONSTRUCTION	DATE: 3-26-09	
	REVIEWED BY: SAM	