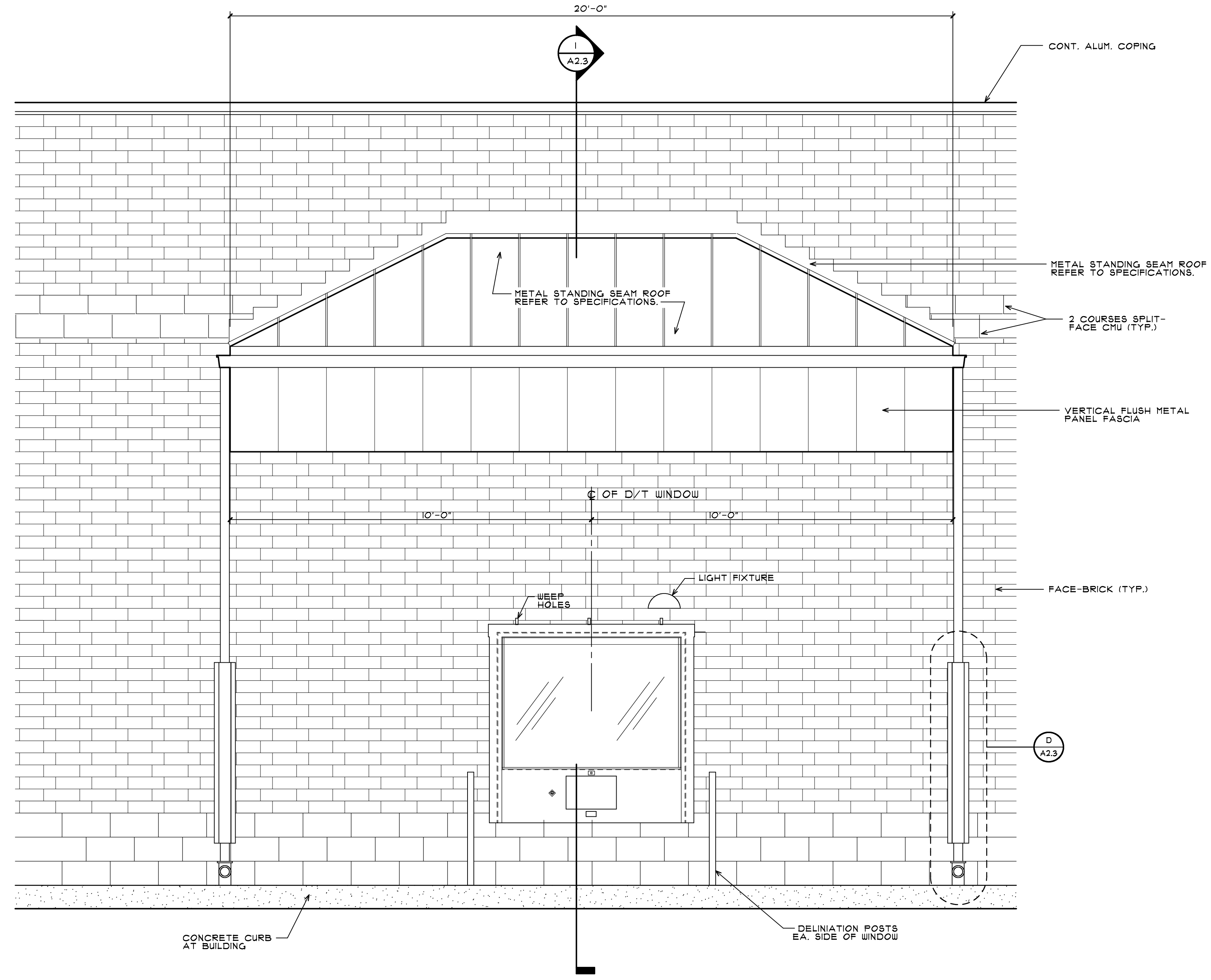


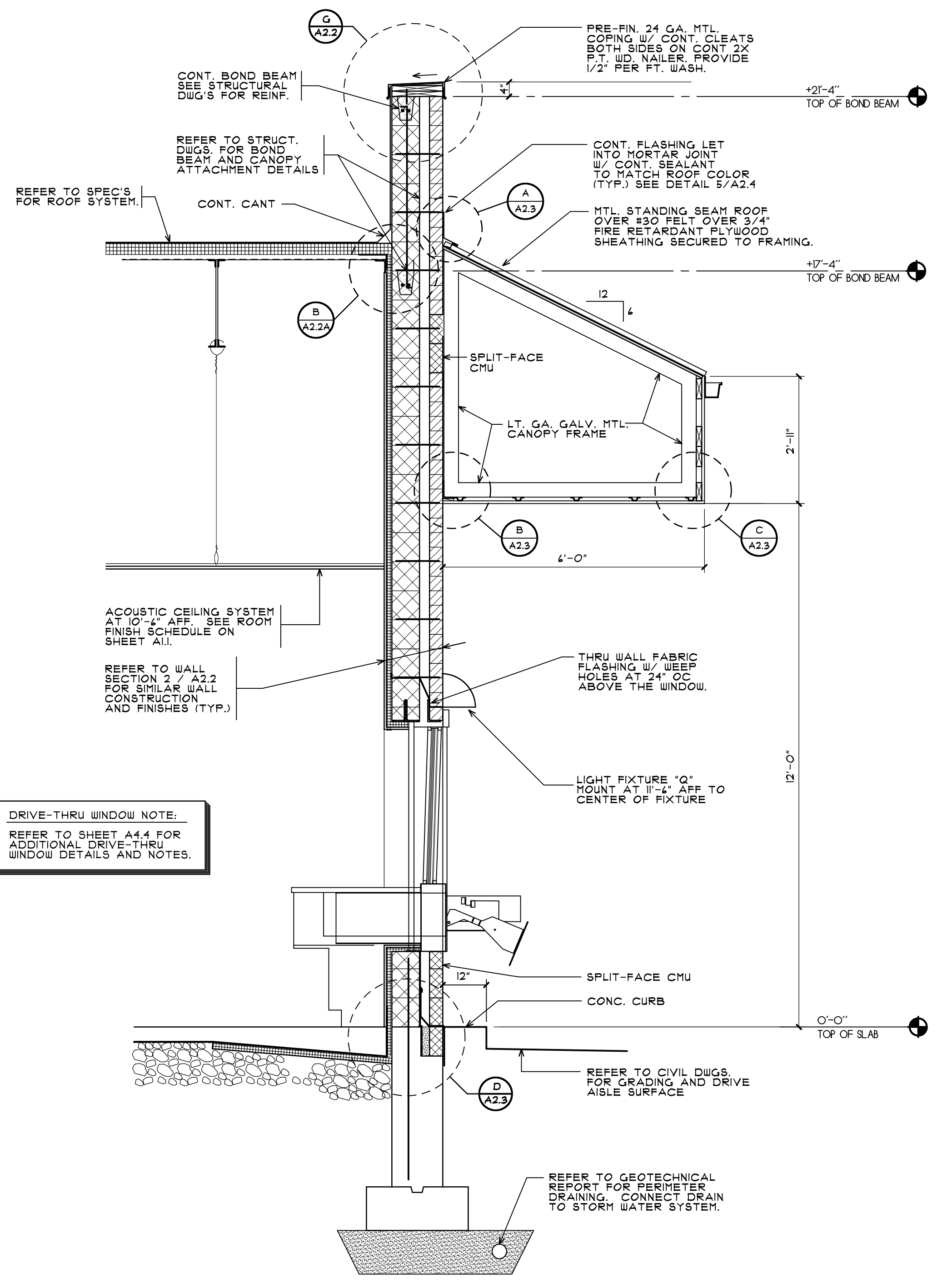
DRAWINGS/SPECIFICATIONS BY:
 WALGREENS'
 LANDLORD'S CONSULTANT

ALL CONSTRUCTION WORK, UNLESS NOTED OTHERWISE, BY:
 WALGREENS' CONTRACTOR
 LANDLORD'S CONTRACTOR (TURNKEY CONSTRUCTION)

STORE	BUILDING
NEW <input checked="" type="checkbox"/>	NEW <input checked="" type="checkbox"/>
REMODELING <input type="checkbox"/>	EXISTING <input type="checkbox"/>
RELOCATION <input type="checkbox"/>	NEW SHELL ONLY <input type="checkbox"/>
OTHERS <input type="checkbox"/>	

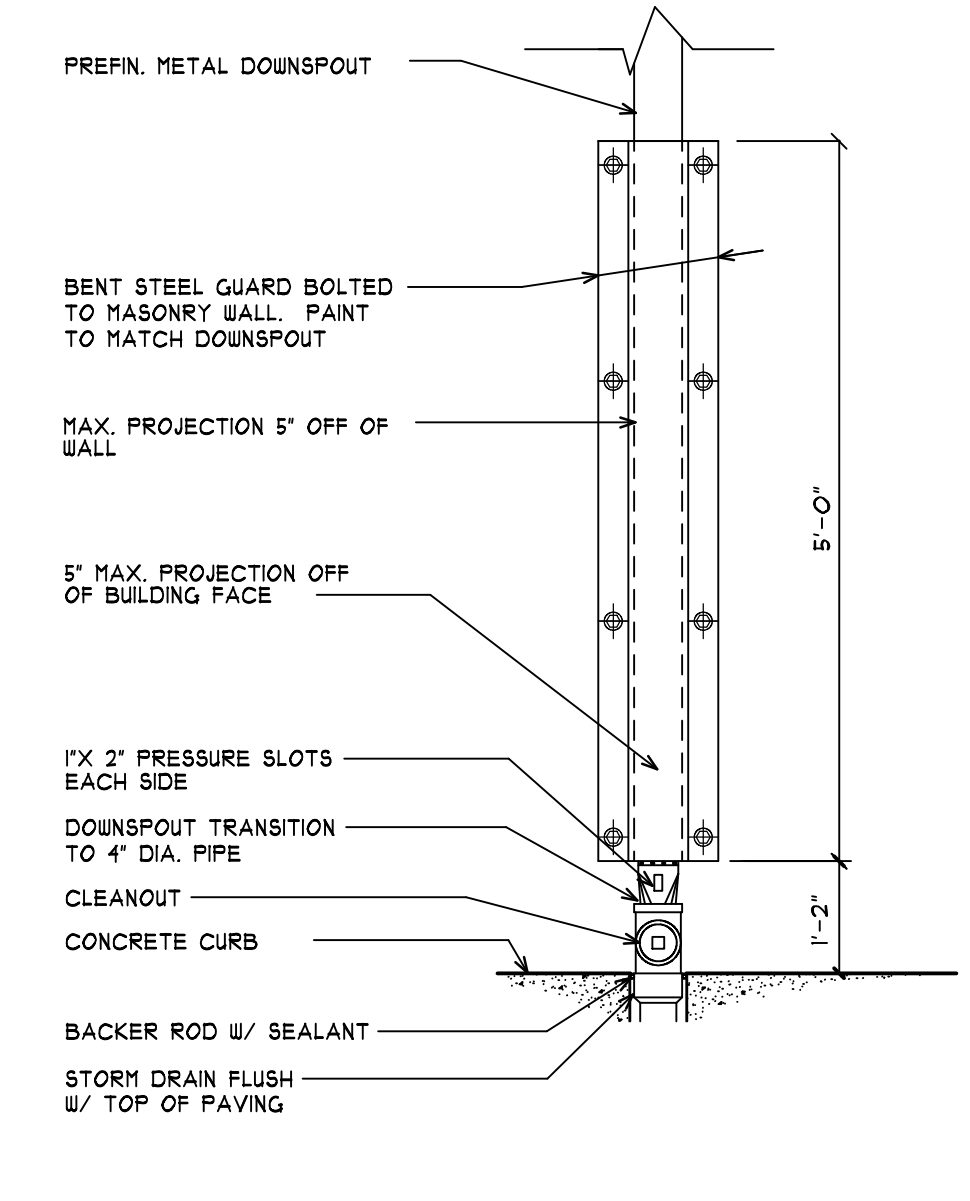


DRIVE-THRU CANOPY ELEVATION (2)
 SCALE: 1/2" = 1'-0"

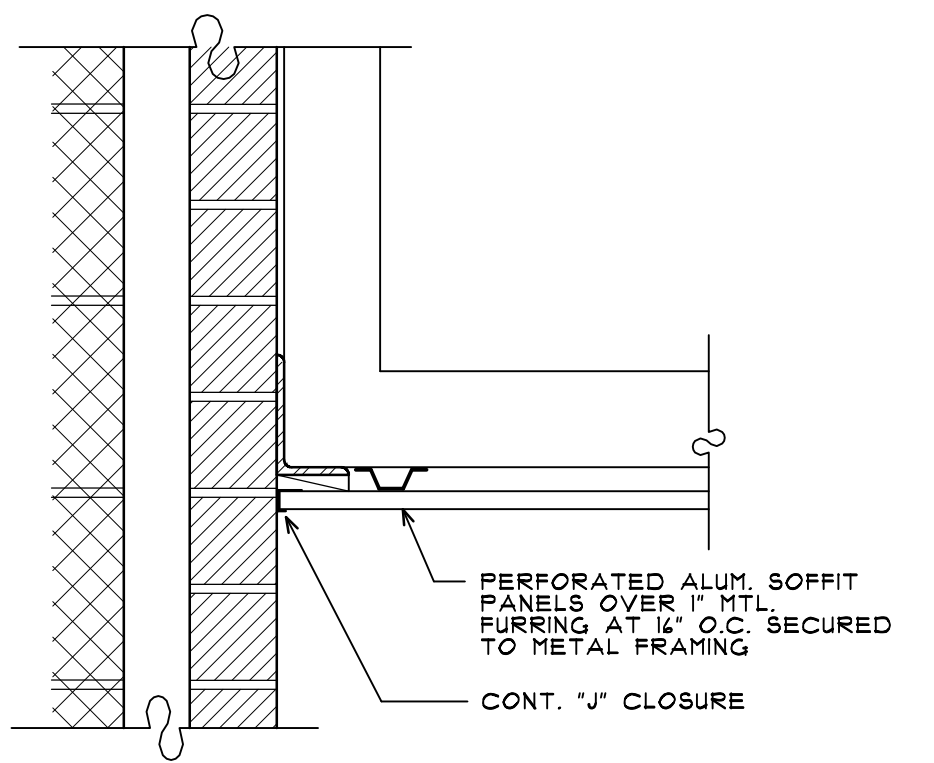


DRIVE-THRU WINDOW NOTE:
 REFER TO SHEET A4.4 FOR ADDITIONAL DRIVE-THRU WINDOW DETAILS AND NOTES.

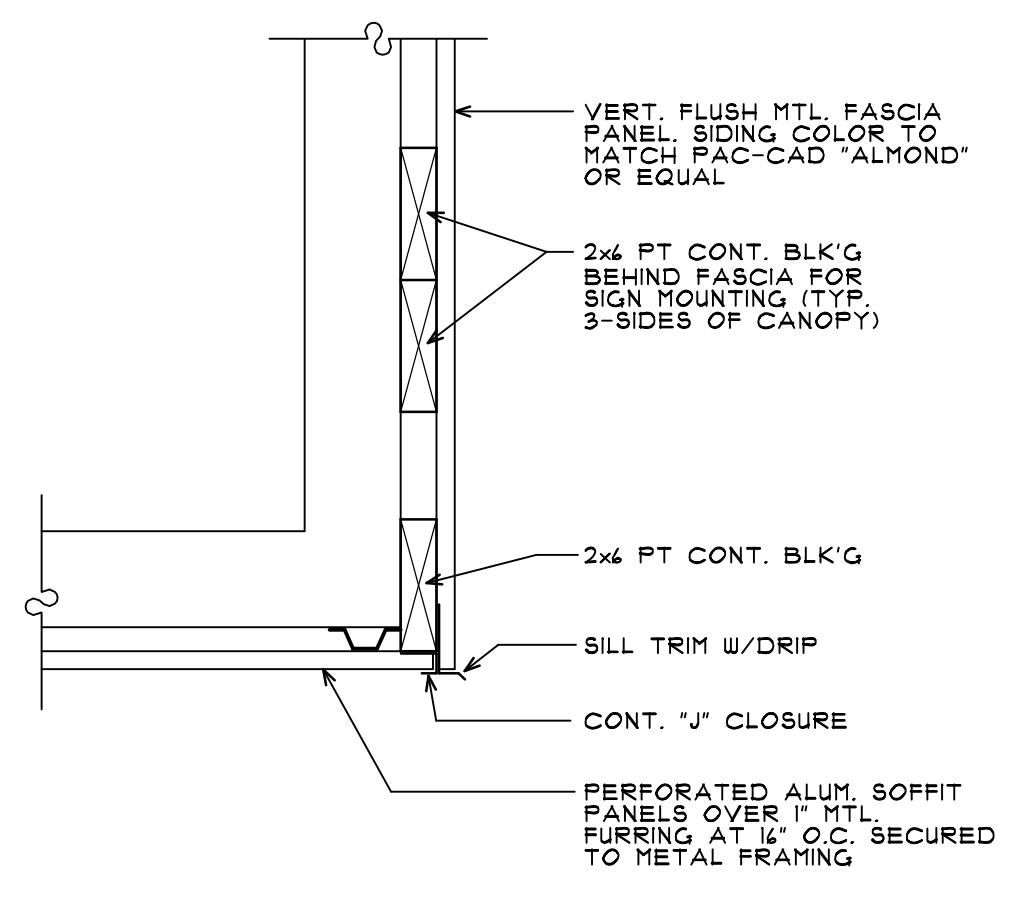
SECTION AT DRIVE-THRU (1)
 SCALE: 1/2" = 1'-0"



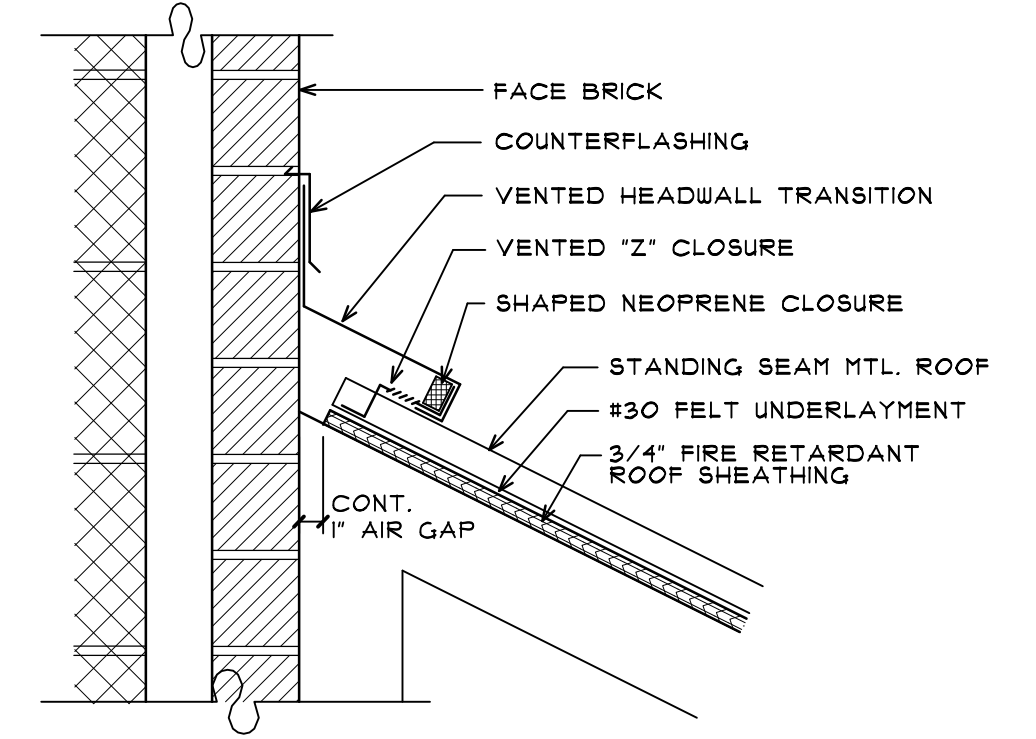
DOWNSPOUT GUARD DETAIL (D)
 SCALE: N.T.S.



CANOPY DETAIL (C)
 SCALE: 1" = 1'-0"



CANOPY DETAIL (B)
 SCALE: 1" = 1'-0"



CANOPY DETAIL (A)
 SCALE: 1" = 1'-0"

NO.	DATE	BY	DESCRIPTION	CONST
REVISIONS				

CERTIFICATION AND SEAL

I, HEREBY CERTIFY THAT THIS PLAN AND SPECIFICATION WAS PREPARED BY ME OR UNDER MY DIRECT SUPERVISION AND THAT I AM A DULY REGISTERED ARCHITECT OR ENGINEER UNDER THE LAWS OF THE STATE OF MAINE AS SIGNIFIED BY MY HAND AND SEAL.

FISCAL 2007 CRITERIA - STORE #12326

WALGREENS
 (NWC) WASHINGTON & ALLEN AVES.
 PORTLAND, MAINE

DRAWING TITLE
BUILDING SECTIONS AND DETAILS

CADD PLOT:	SCALE: AS NOTED	DRAWING NO.
VOID PLOT:	DRAWN BY: TD	A2.3
RELEASED TO CONSTRUCTION	DATE: 3-26-09	
	REVIEWED BY: SAM	