

DRAWINGS/SPECIFICATIONS BY:
 WALGREENS'
 LANDLORD'S CONSULTANT

ALL CONSTRUCTION WORK, UNLESS NOTED OTHERWISE, BY:
 WALGREENS' CONTRACTOR
 LANDLORD'S CONTRACTOR (TURNKEY CONSTRUCTION)

STORE	BUILDING
NEW <input checked="" type="checkbox"/>	NEW <input checked="" type="checkbox"/>
REMODELING <input type="checkbox"/>	EXISTING <input type="checkbox"/>
RELOCATION <input type="checkbox"/>	NEW SHELL ONLY <input type="checkbox"/>
OTHERS <input type="checkbox"/>	

- KEYED NOTES**
- 1 ELASTOMERIC COATING ALLOWED ON CONCRETE PANEL ONLY.
 - 2 INSTALL POLYURETHANE SEALANT AND TOOL TO FACILITATE WATER RUN-OFF.
 - 3 EXPANDING SHANK GASKETED FASTENERS WITH WASHERS.
 - 4 COMPRESSIBLE ELASTOMERIC TAPE TO SPAN IRREGULARITIES.
 - 5 SEAL TOP OF FLASHING WITH A 3-COURSE OF VERTICAL GRADE ROOF CEMENT AND REINFORCEMENT FABRIC. (PRECAST PANELS ONLY)
 - 6 SHEET METAL COUNTERFLASHING RECEIVER. SET BEFORE UNIT IS PLACED
 - 7 FASTENERS APPROX. 8" O.C.
 - 8 2" WIDE HOLD-DOWN CLEAT 30" O.C.
 - 9 PARAPET MEMBRANE, SHEATHING, AND BUILDING PAPER. BUILD OUT TO EXTERIOR WALL PLANE.
 - 10 MULTIPLE-PLY MEMBRANE BASE FLASHING (8" MIN. HEIGHT).
 - 11 MULTIPLE-PLY MEMBRANE STRIPPING.
 - 12 THERMAL INSULATION.
 - 13 ROOF DECK.
 - 14 WOOD CANT FASTENED TO NAILERS.
 - 15 WOOD NAILERS.
 - 16 BEVEL CUT TOP OF WOOD CURB TO DRAIN.
 - 17 8" WIDE SURFACE MOUNT COUNTER FLASHING. SAW CUT IN CONCRETE PANEL AT PANEL JOINT.
 - 18 MEMBRANE FLASHING REQUIRED ON THE BACK OF MASONRY PARAPETS FROM UNDER COPING TO OVERLAP SHEET METAL COUNTERFLASHING.
 - 19 INSULATE VOID TO PREVENT CONDENSATION.
 - 20 SLOPE PIPES DOWN AND AWAY FROM HOOD.
 - 21 HIGH-DOMED, CAPPED, GASKETED FASTENERS (APPROX. 18" O.C., DEPENDING UPON WIND ZONE & LOCAL CONDITIONS; MINIMUM TWO FASTENERS PER SIDE)
 - 22 REMOVABLE SHEET METAL COUNTERFLASHING.
 - 23 TOP OF FLASHING CAPPED OR ROLLED INTO PIPE APPROX. 1" [25MM].
 - 24 PLUMBING VENT STACK.
 - 25 SOFT METAL PIPE FLASHING.
 - 26 ROOF CEMENT OR SEALANT AT PENETRATION TO MEMBRANE JUNCTURE.
 - 27 SET FLANGE IN ROOF CEMENT. PRIME FLANGE BEFORE STRIPPING.
 - 28 CONDENSING UNIT. SEE ENGINEERING DRAWINGS.
 - 29 METAL CAP FLASHING.
 - 30 2-PLY FELT FLASHING.
 - 31 PREFABRICATED METAL CURB WITH WOOD (2x6) NAILERS. TOP OF RAIL TO BE LEVEL
 - 32 H.V.A.C. UNIT (SEE M2.1 FOR DETAIL).
 - 33 PREFABRICATED CURB SUPPLIED BY H.V.A.C. UNIT MANUFACTURER. (TYPE MAY VARY WITH MANUFACTURER).
 - 34 RIGID INSULATION FIBER CANT AND TWO PLY FELT FLASHING OR AS REQUIRED PER ROOFING MANUFACTURER SPECIFICATIONS.
 - 35 SEAL EXPOSED ROOF DECK EDGES WITH GALVANIZED SHEET METAL AND SEAL ALL AROUND.
 - 36 SEE STRUCTURAL DRAWINGS FOR STEEL SIZING.
 - 37 DRAIN STRAINER.
 - 38 CLAMPING RING.
 - 39 30" SQUARE MINIMUM, 2 1/2 LB. TO 4 LB. LEAD OR COPPER FLASHING SET ON FINISHED ROOF IN ROOF CEMENT, PRIME TOP SURFACE BEFORE STRIPPING.
 - 40 TAPERED INSULATION.
 - 41 MEMBRANE FIELD PILES, METAL FLASHING AND STRIPPING PILES ALL EXTEND UNDER CLAMPING RING.
 - 42 DECK CLAMP.
 - 43 DRAIN BOWL.
 - 44 MULTIPLE-PLY MODIFIED BITUMEN ROOF MEMBRANE.
 - 45 CANT, AS REQUIRED.
 - 46 ABS COVER.
 - 47 EPDM CAP, SIZE AS REQUIRED.
 - 48 SS CLAMP.
 - 49 ADAPTER RING AS REQUIRED.
 - 50 11"H PIPE PORTAL PLUS SYSTEM.
 - 51 FLASHING AND WEAP HOLES ABOVE COUNTER-FLASHING.
 - 52 METAL SLEEVE THROUGH DECK, BY CONTRACTOR.
 - 53 INSULATED LINER.
 - 54 #74004 PORTAL PLUS VENT W/INSECT SCREEN SET IN ROOFING CEMENT.
 - 55 BACKER ROD AND SEALANT.
 - 56 FACE PLATE
 - 57 "ALUMI-FLASH BASE SET IN ROOF CEMENT

NO.	DATE	BY	DESCRIPTION	CONST
REVISIONS				
CERTIFICATION AND SEAL				

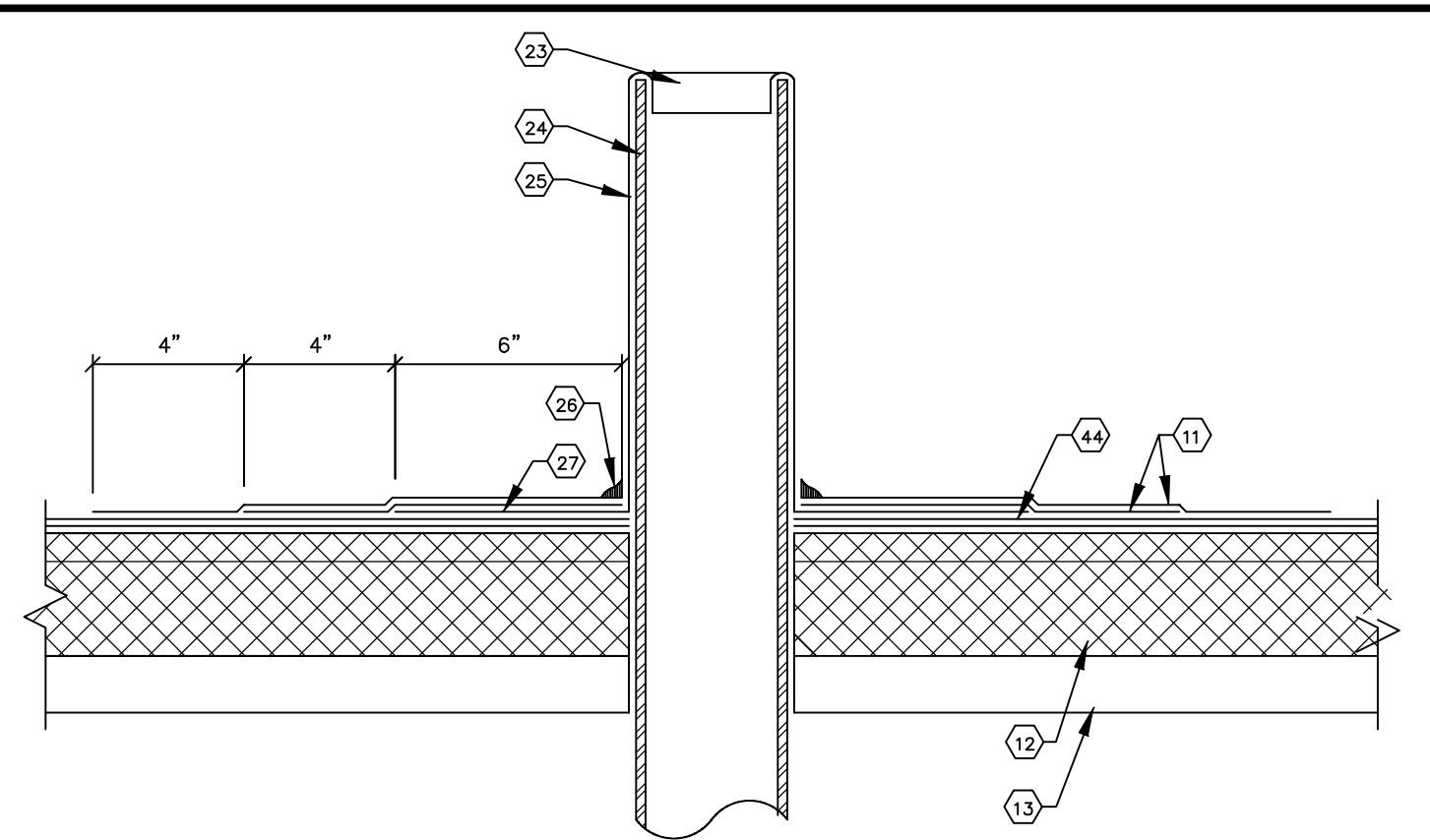
I HEREBY CERTIFY THAT THIS PLAN AND SPECIFICATION WAS PREPARED BY ME OR UNDER MY DIRECT SUPERVISION AND THAT I AM A DULY REGISTERED ARCHITECT OR ENGINEER UNDER THE LAWS OF THE STATE OF MAINE AS SIGNIFIED BY MY HAND AND SEAL.

FISCAL 2007 CRITERIA - STORE #12326

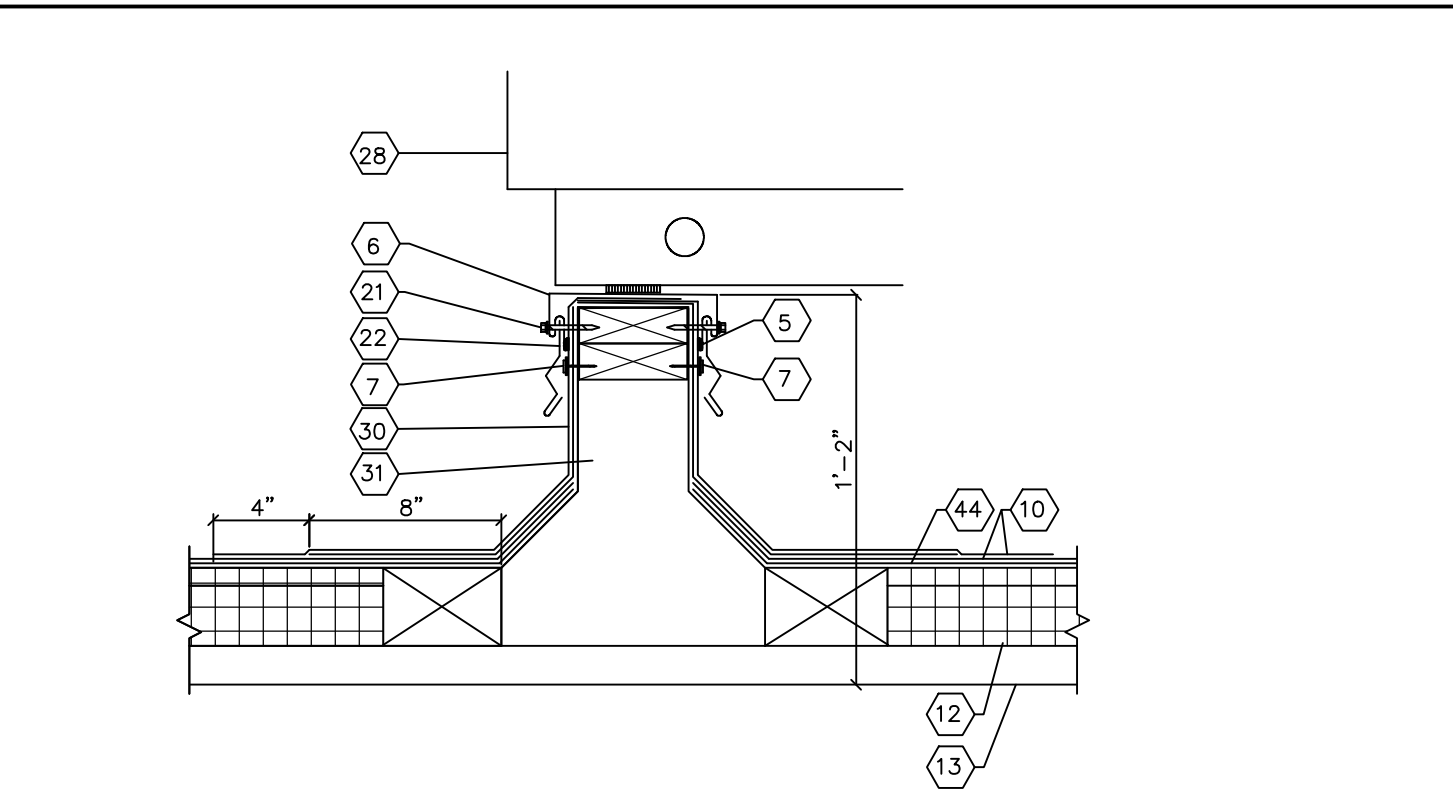
WALGREENS
 (NWC) WASHINGTON & ALLEN AVES.
 PORTLAND, MAINE

DRAWING TITLE
ROOF DETAILS

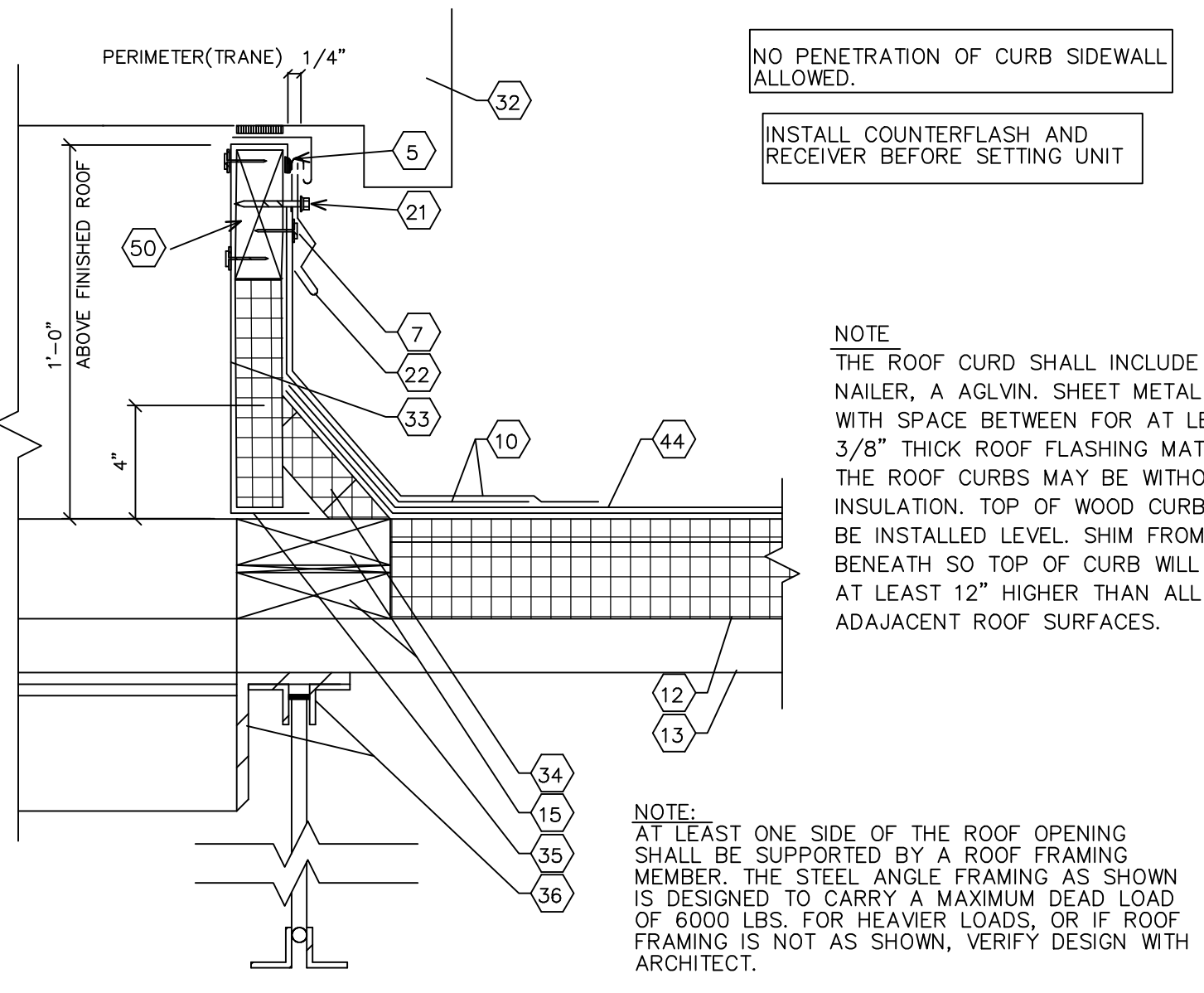
CADD PLOT:	SCALE: AS NOTED	DRAWING NO.
VOID PLOT:	DRAWN BY: TD	A1.4
RELEASED TO CONSTRUCTION	DATE: 3-26-09	
	REVIEWED BY: SAM	



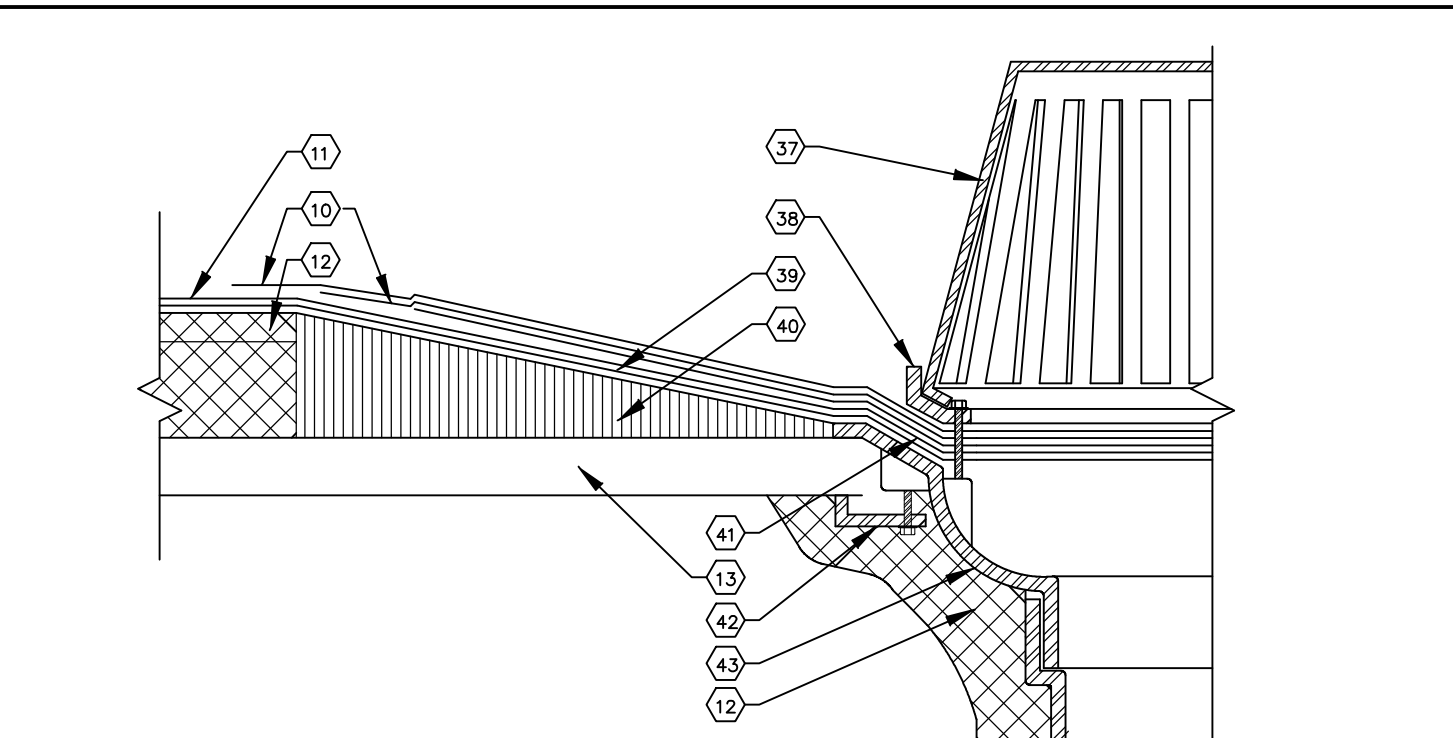
4 PLUMBING VENT
 SCALE: NTS



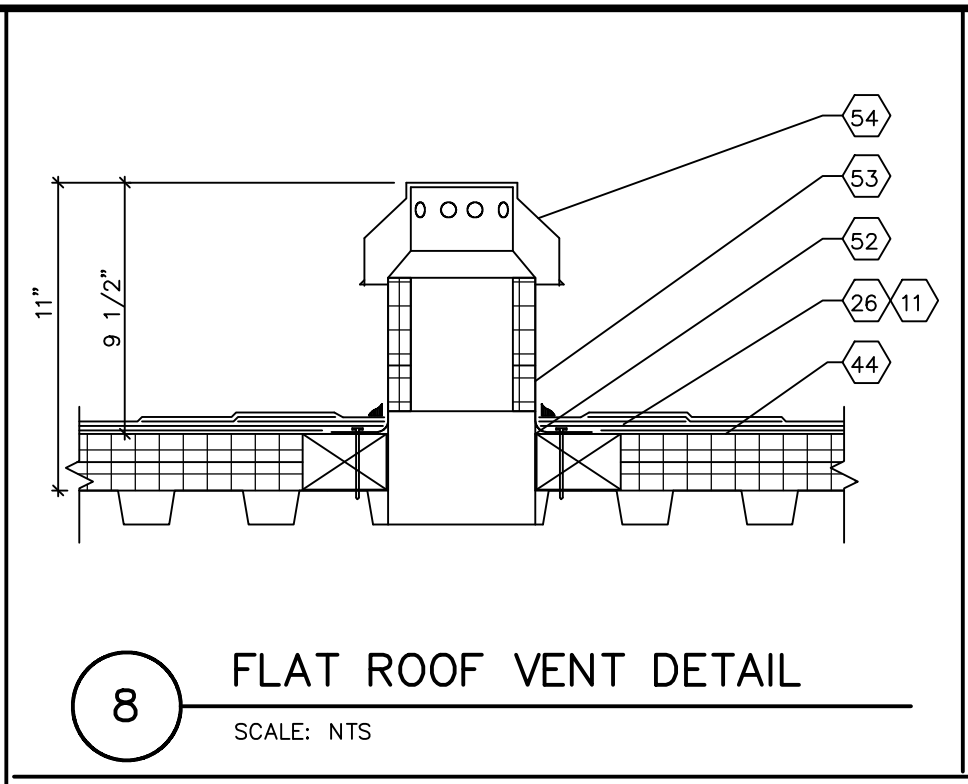
5 SECTION @ ROOF CURB
 SCALE: NTS



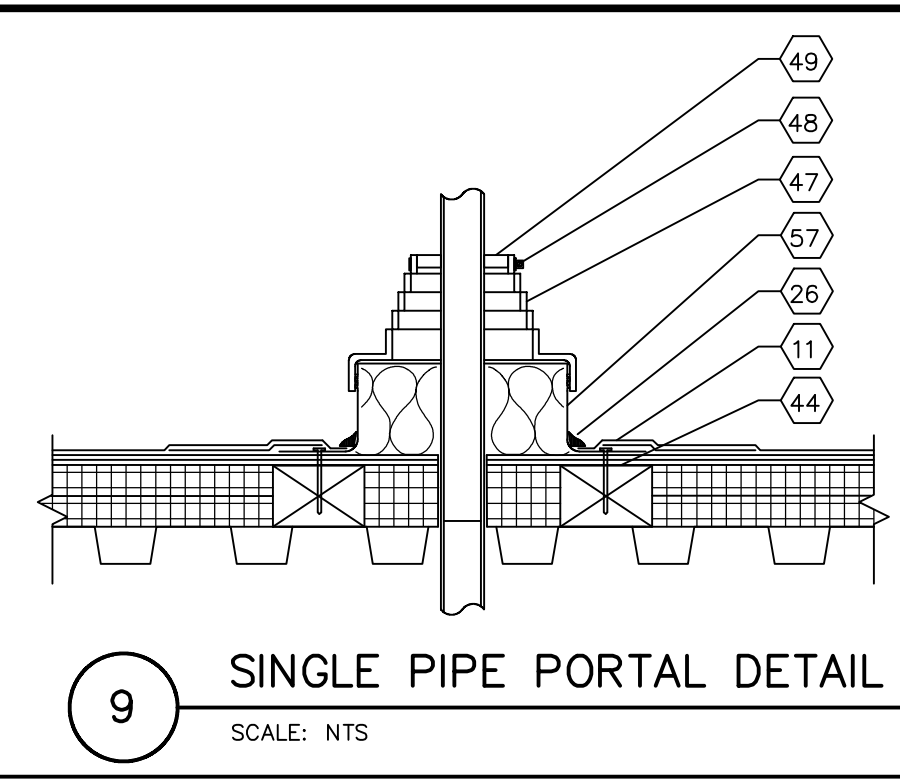
6 SECTION @ HVAC ROOF CURB
 SCALE: NTS



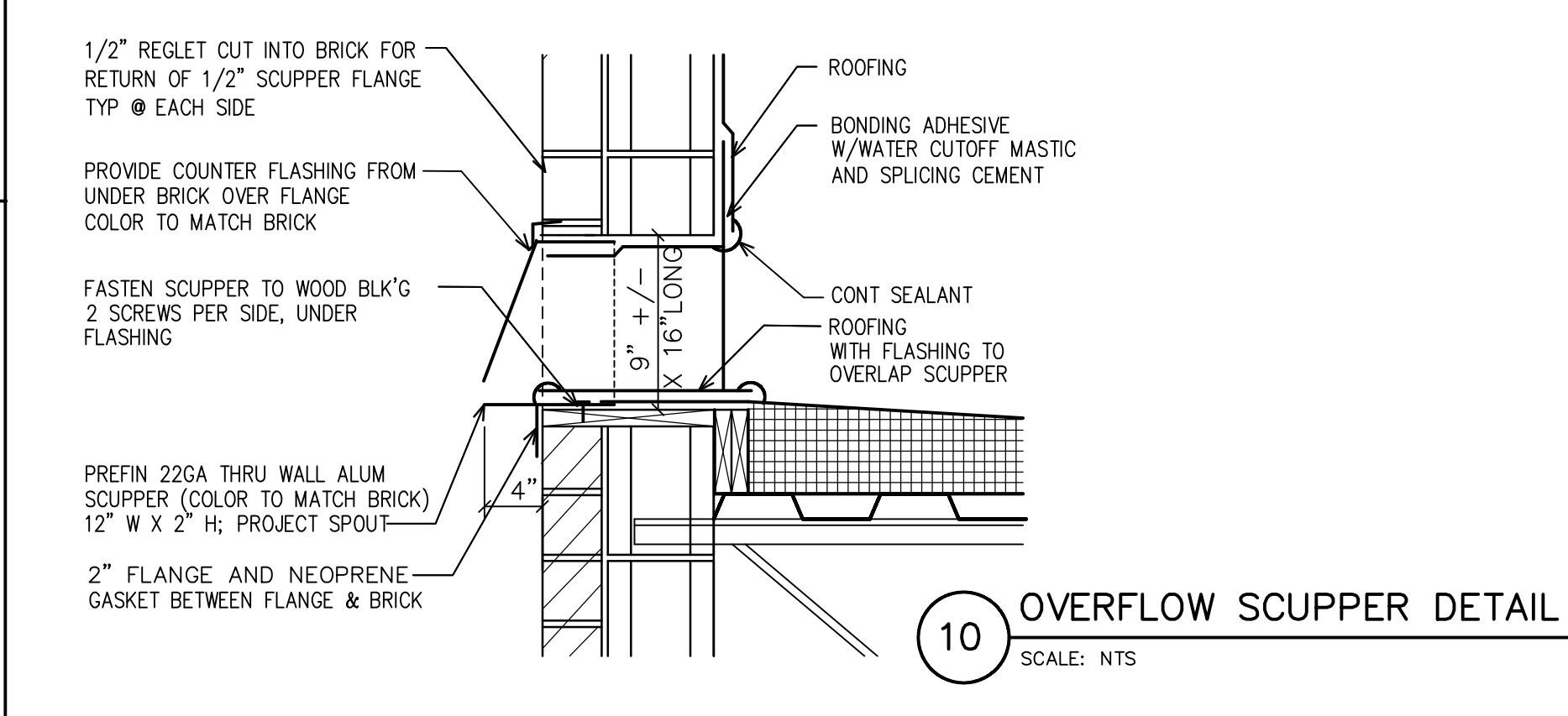
7 SECTION @ ROOF DRAIN AND OVERFLOW
 SCALE: NTS



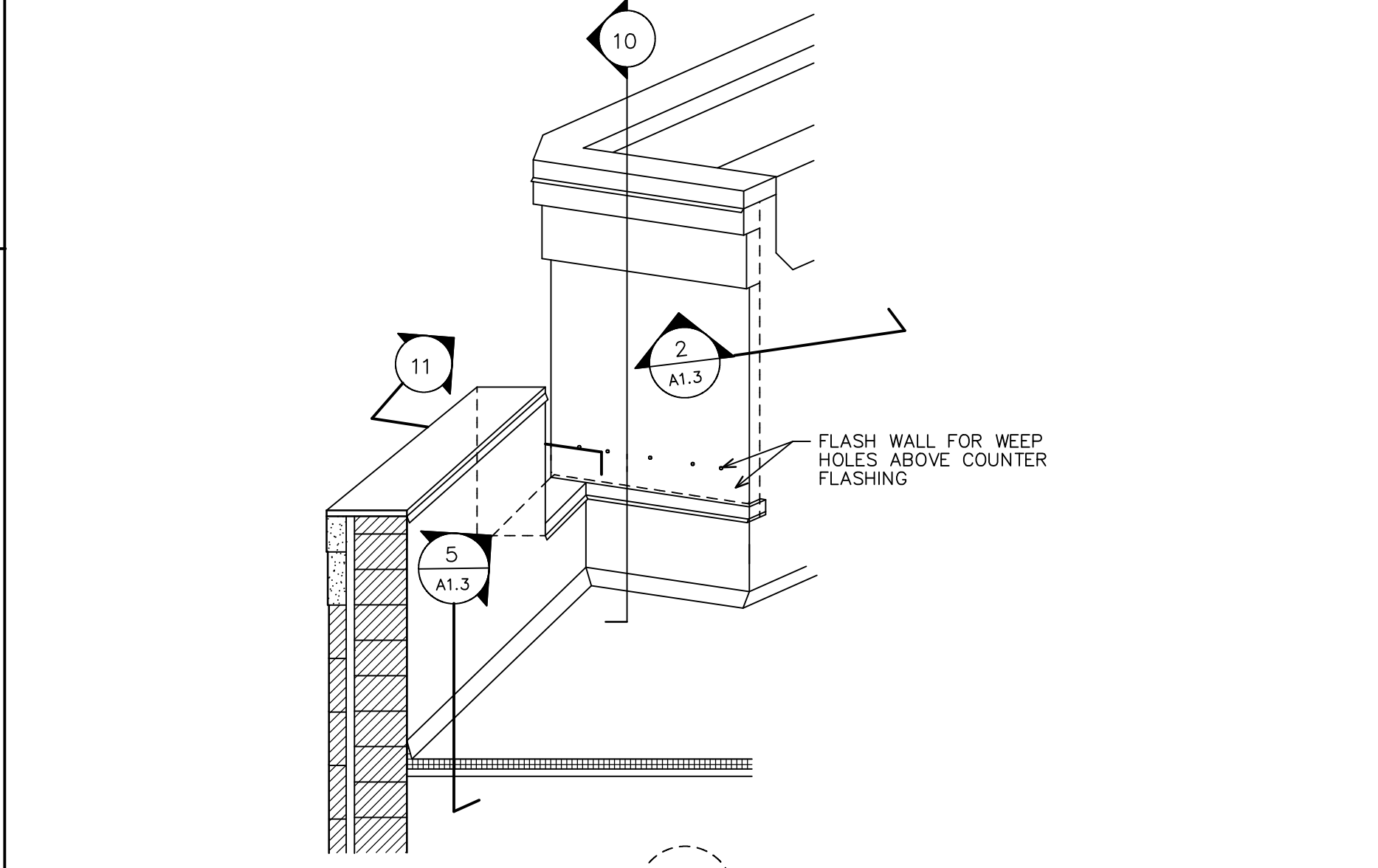
8 FLAT ROOF VENT DETAIL
 SCALE: NTS



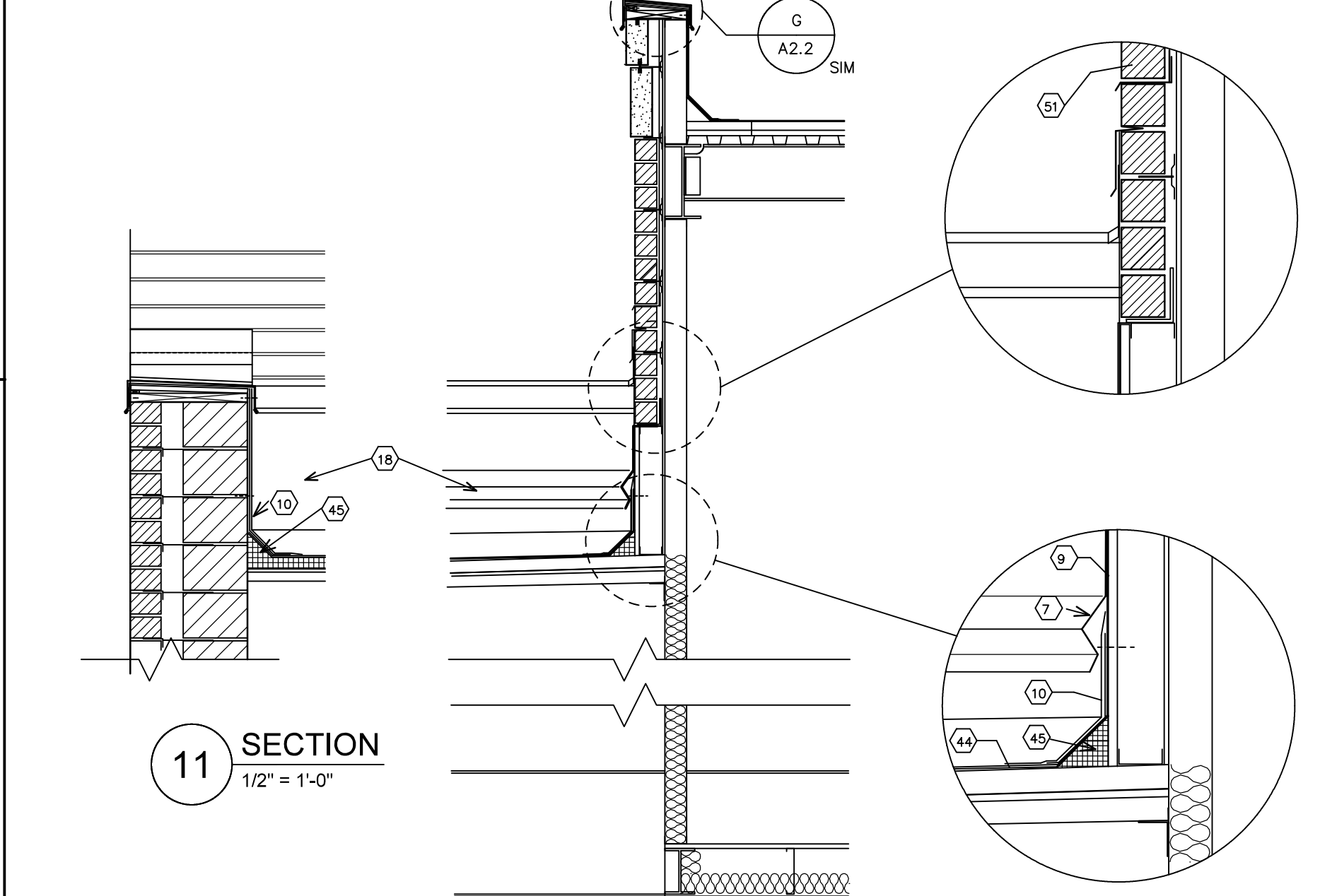
9 SINGLE PIPE PORTAL DETAIL
 SCALE: NTS



10 OVERFLOW SCUPPER DETAIL
 SCALE: NTS

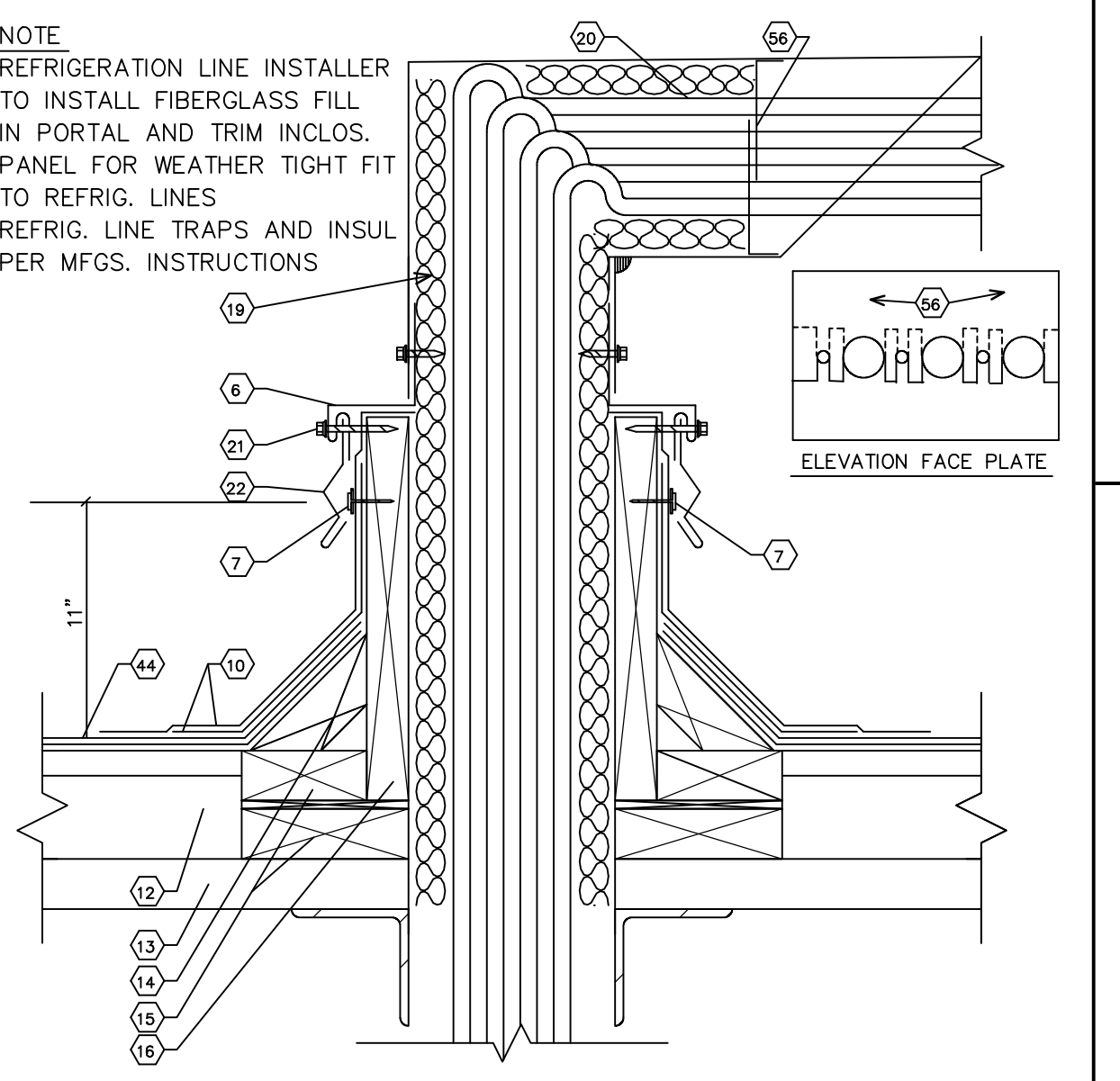
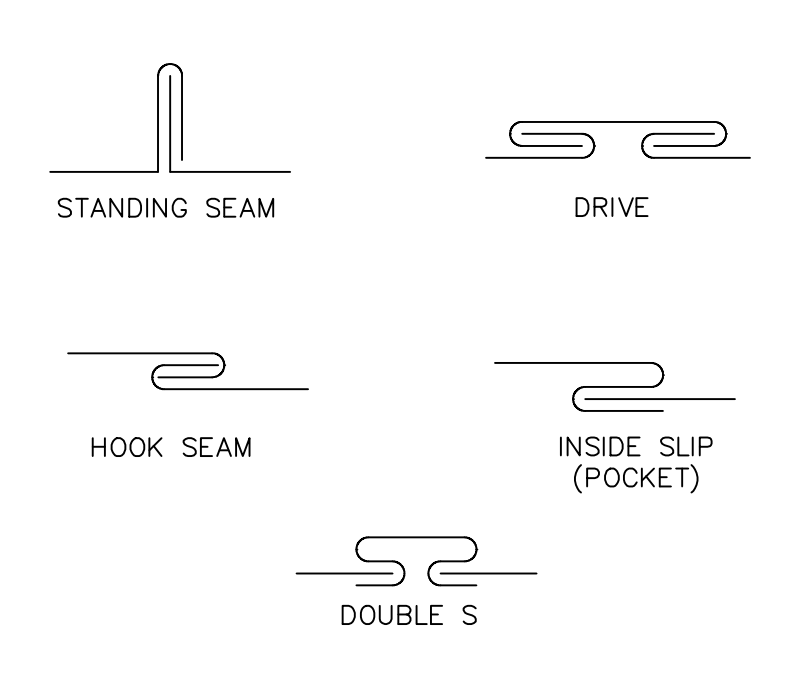


11 SECTION
 1/2" = 1'-0"



10 SECTION
 1/2" = 1'-0"

COPING CAP SPLICE DETAILS



3 REFRIGERATION PIPE PENETRATION THROUGH ROOF
 SCALE: NTS