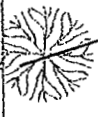


12" Decid.



24" Vit. Clay

PROVIDE RISER POLE FOR UNDERGROUND ELECTRIC CABLE AND TELEPHONE

UGE/T/C

20" Decid.



Decid. cluster

6" SAN L=14' S=0.0104



UGE/T/C

CONNECT TO 24" SEWER MAIN WITH CHIMNEY CONNECTION

DOUBLE CLEANOUT

12" Clay culvert

Inv. Ou Unknown (assumed to sewer)

WATER SERVICE FOR PROPOSED EXPANSION TO BE SUPPLIED FROM EXISTING BUILDING

INV. 77.60

PROPOSED BUILDING 1,540 S.F. 85.8 F.F.E.

2 Story Dwelling on Granite Foundation

First Floor Elev. = 85.8

First Floor Elev. = 85.72

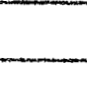
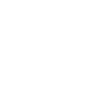
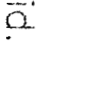
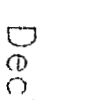
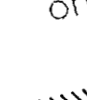
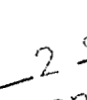
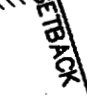
8" Decid.

8" Decid.

16" Maple

Deck

Shrubs



FRONT SETBACK

Steps

Ramp

30" Vit. Clay

6" pipe

OH

14" Maple

1" plastic

3/4" Copper

Gravel Drive

BITUMINOUS CURB

END GRANITE CURB, MATCH BITUMINOUS CURB TO GRANITE

BITUMINOUS CURB

BITUMINOUS CURB

BITUMINOUS CURB

BITUMINOUS CURB

BITUMINOUS CURB

BITUMINOUS CURB

BITUMINOUS CURB

BITUMINOUS CURB

BITUMINOUS CURB

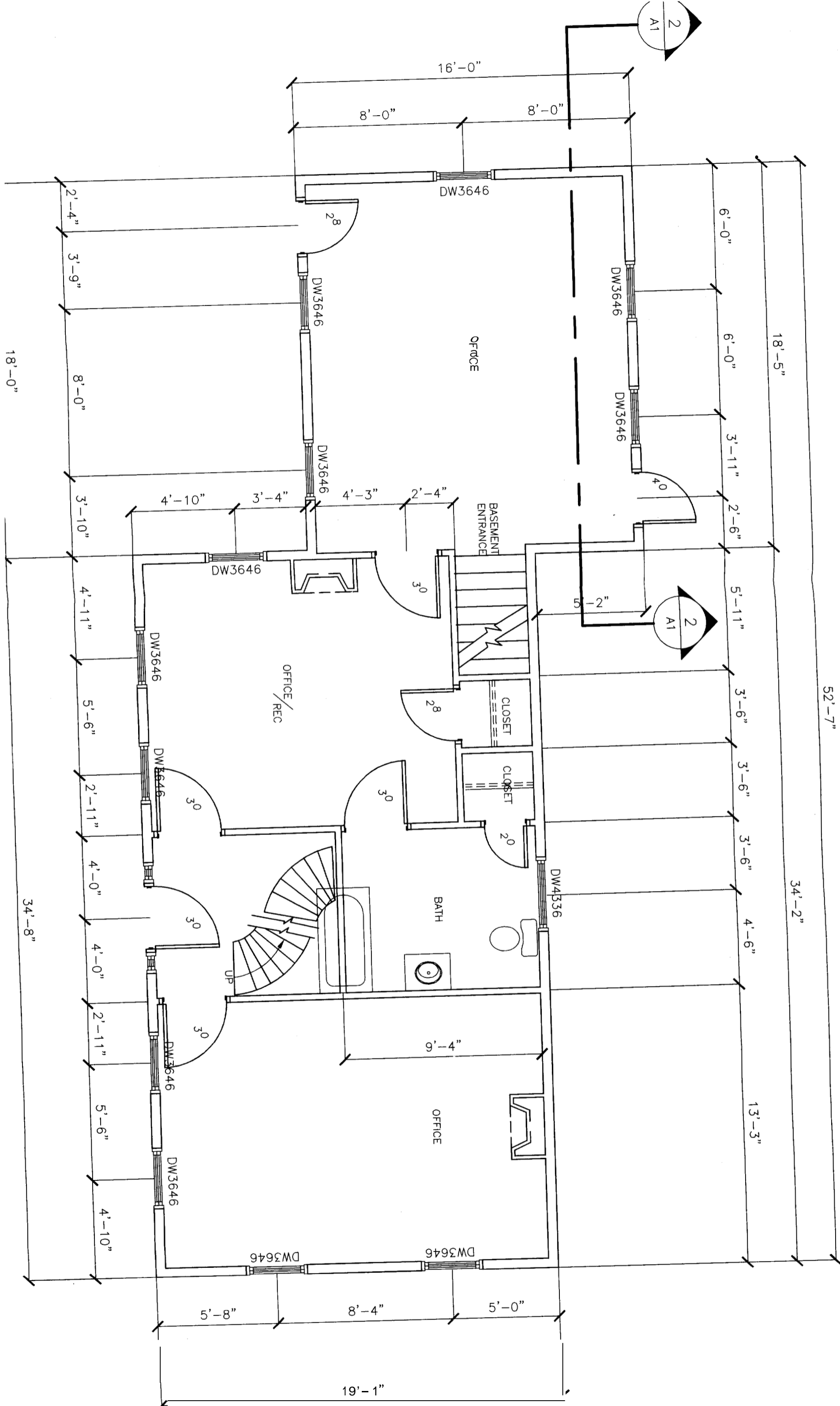
BITUMINOUS CURB

BITUMINOUS CURB

BITUMINOUS CURB

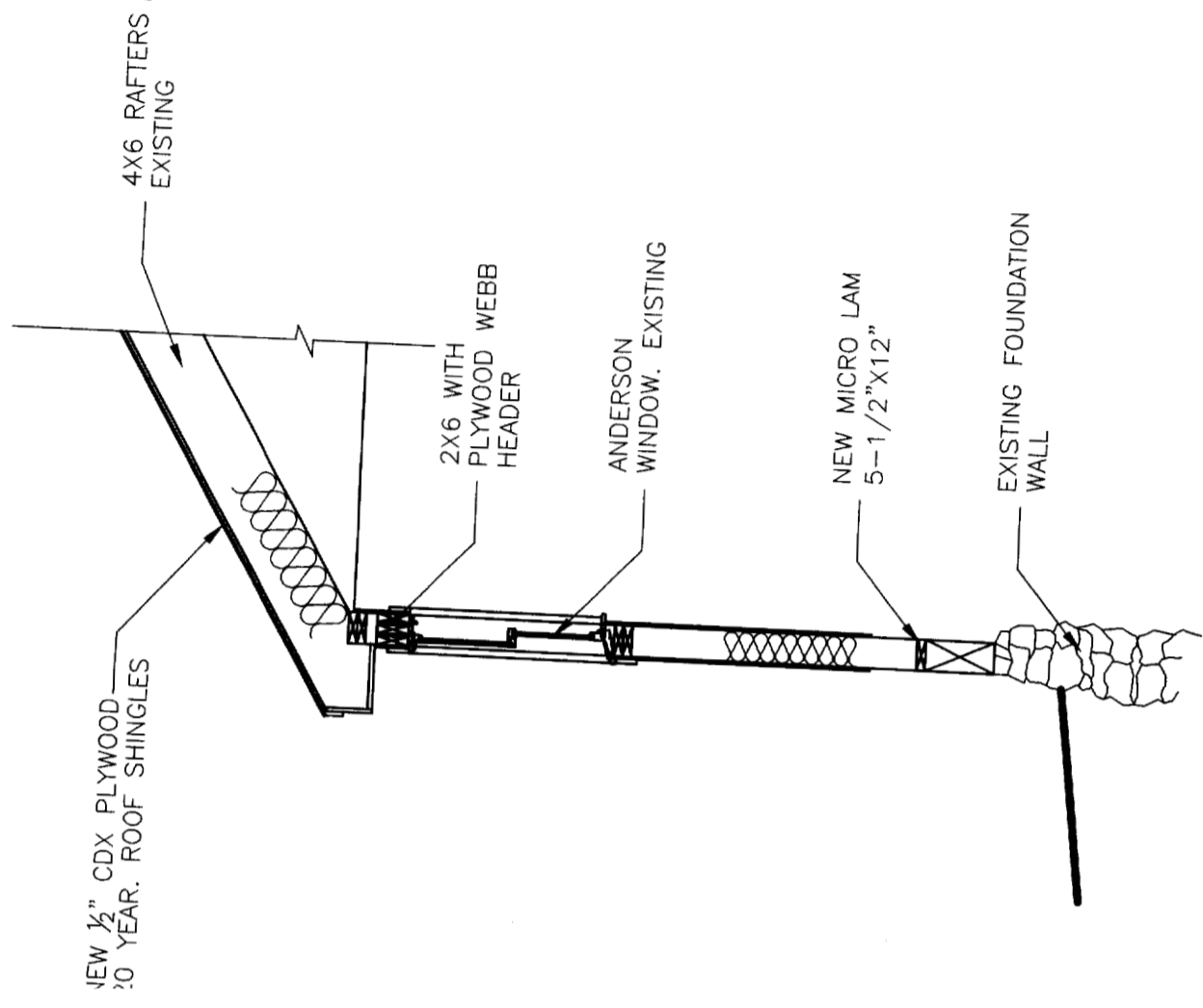
BITUMINOUS CURB

BITUMINOUS CURB

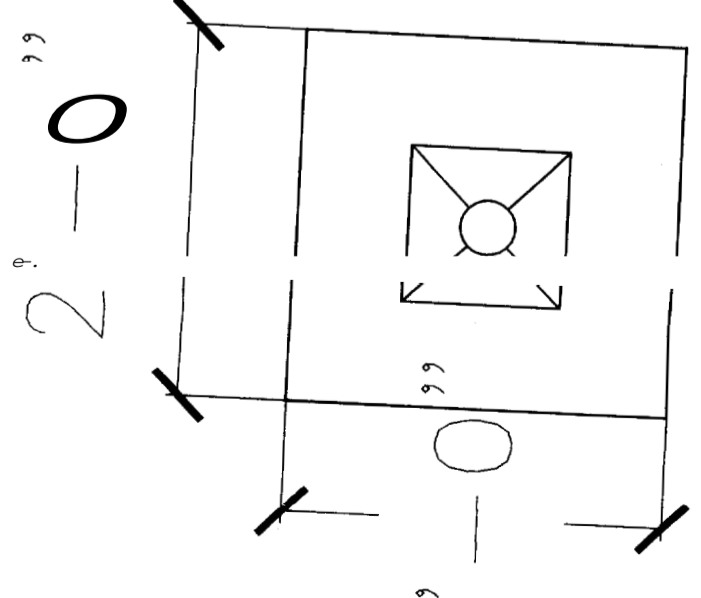
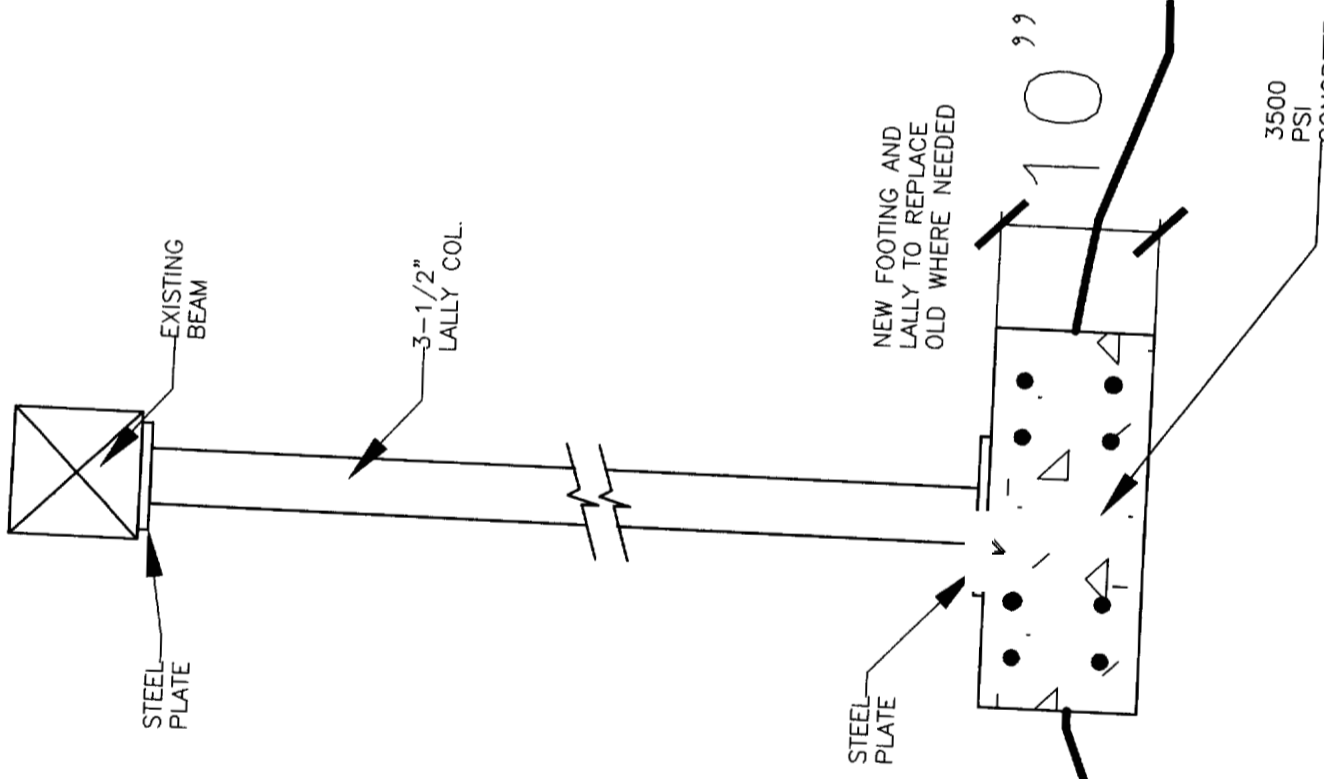


041360
344 E6

REVS:	CODE: 1E	TOWN:	DATE: 10	SCALE: /	DRAWN:	TITLE:	PROP LAYO
-------	----------	-------	----------	----------	--------	--------	-----------



A1 SCALE 3/8"=1'-0"



1 FOOTING DETAIL
A1 SCALE 1'-1'-0"

3500 PSI

