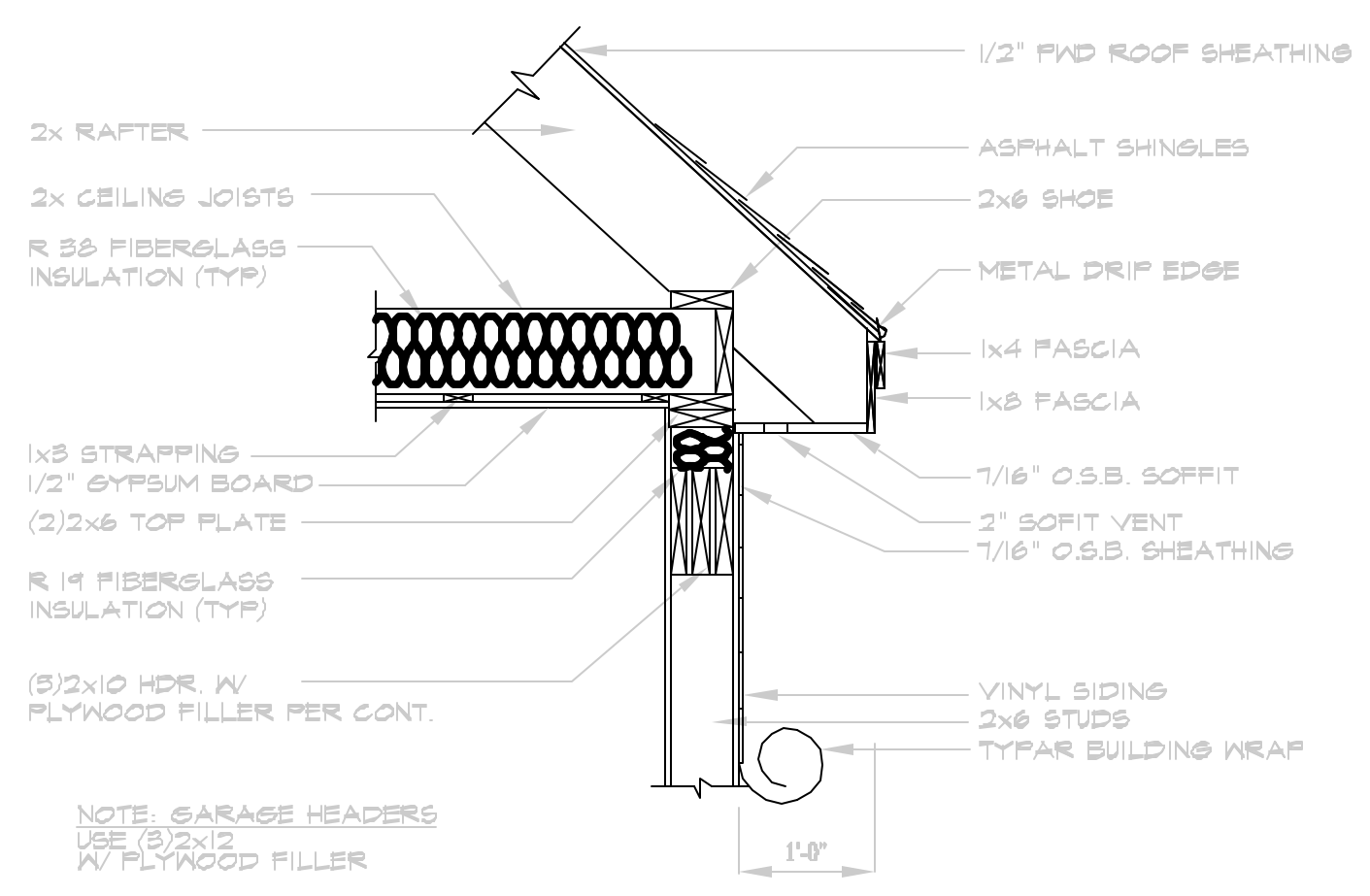
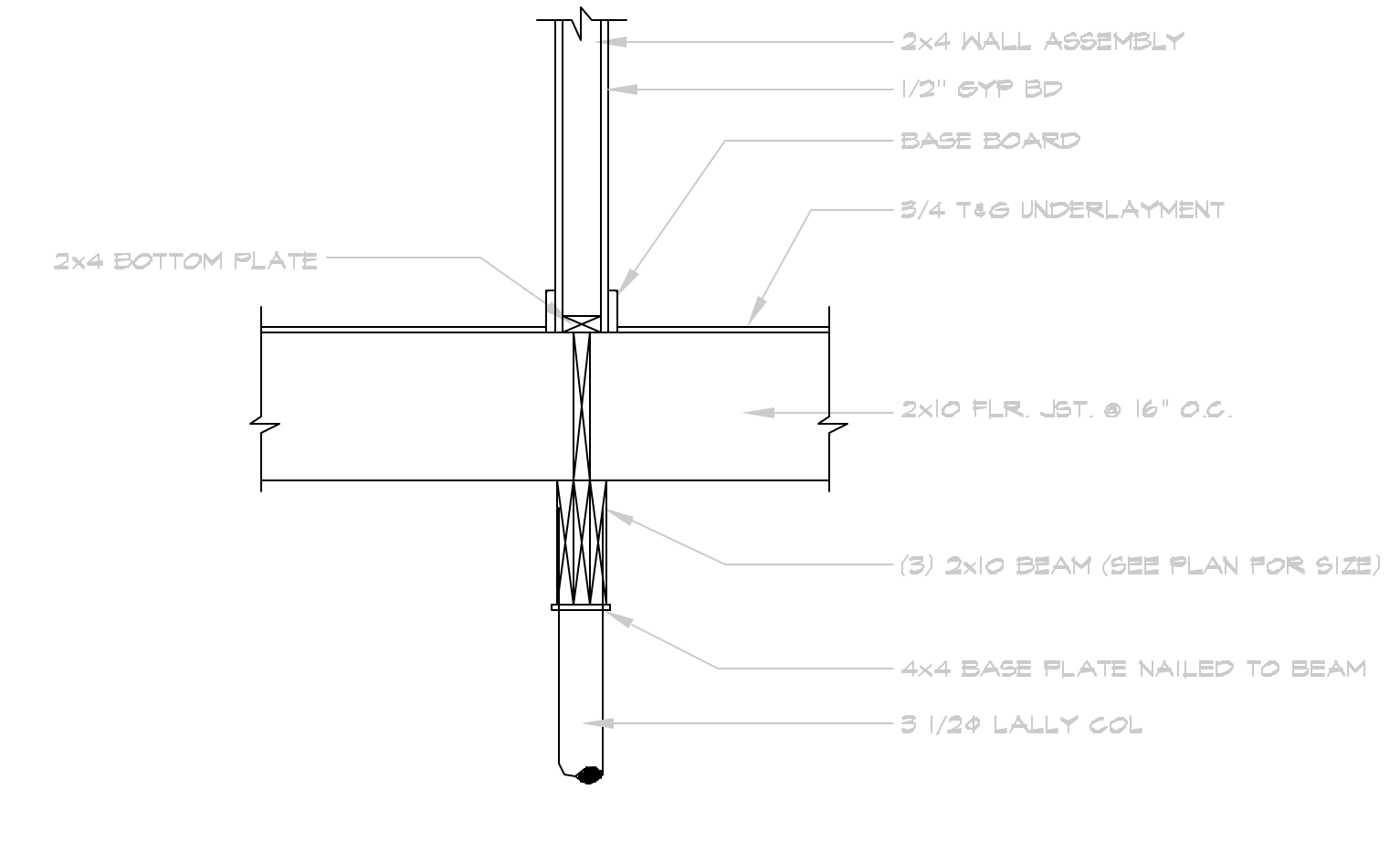


**DETAILS AND SPECIFICATIONS  
 DUPLEX HOME  
 WASHINGTON CROSSING**

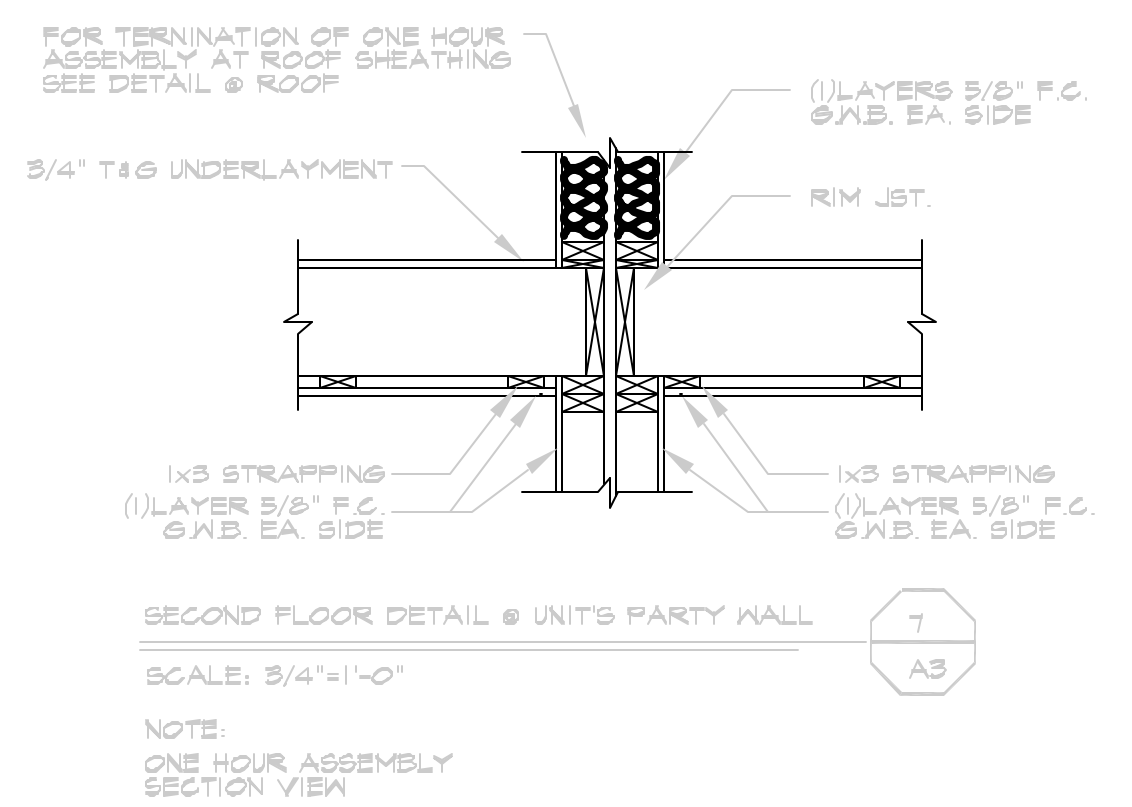
**A.L.C. DEVELOPMENT**  
 258 BLACK POINT ROAD  
 SCARBOROUGH, ME. 04074  
 PHONE: (207) 883-1992



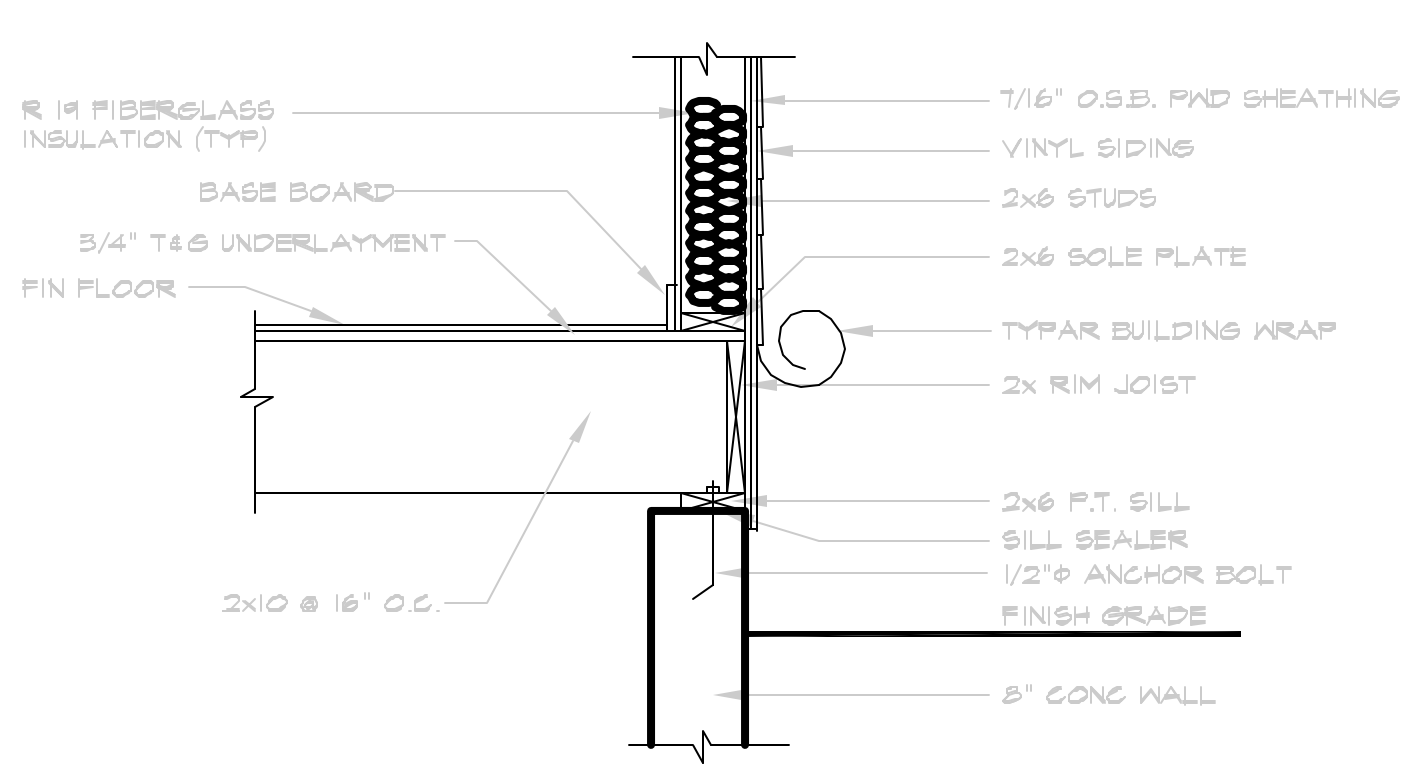
**SOFFIT DETAIL 12" OVER HANG**  
 SCALE: 3/4"=1'-0"  
 NOTE:  
 SUBSTITUTE JOIST AND RAFTER SIZES WITH PLAN CALL-OUT.



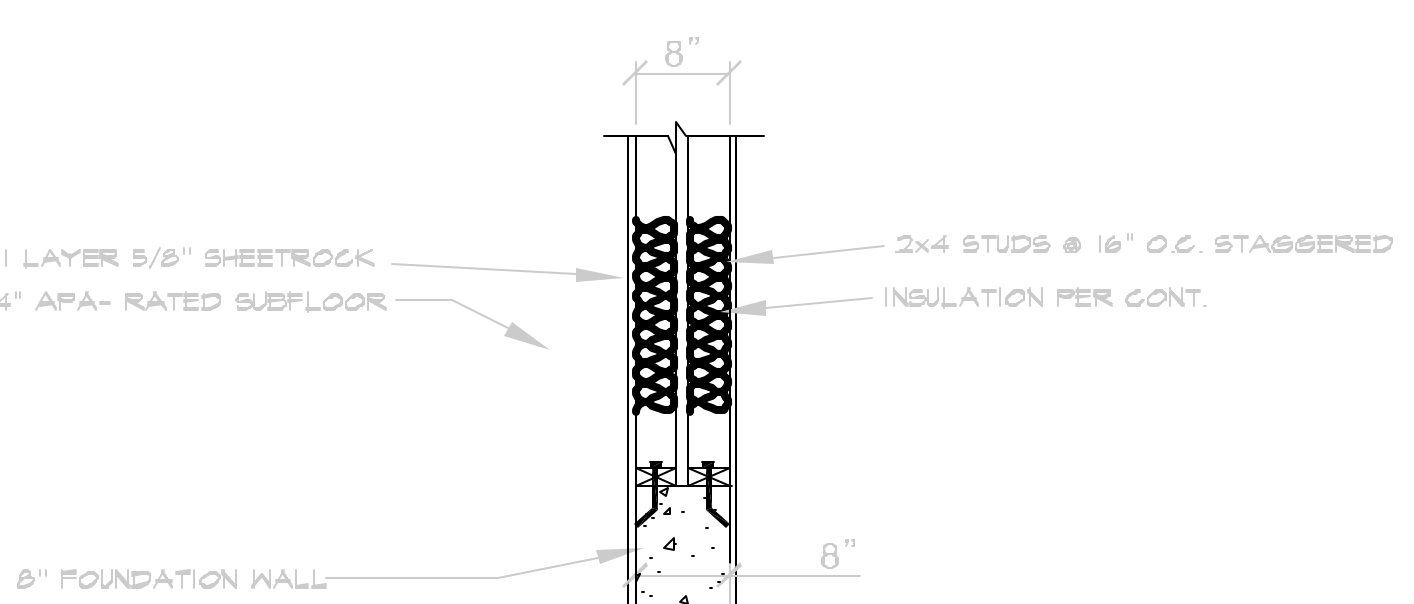
**COLUMN/GIRDER DETAIL (OPTIONAL)**  
 SCALE: 3/4"=1'-0"  
 NOTE:  
 SUBSTITUTE JOIST AND RAFTER SIZES WITH PLAN CALL-OUT.  
 SECTION VIEW



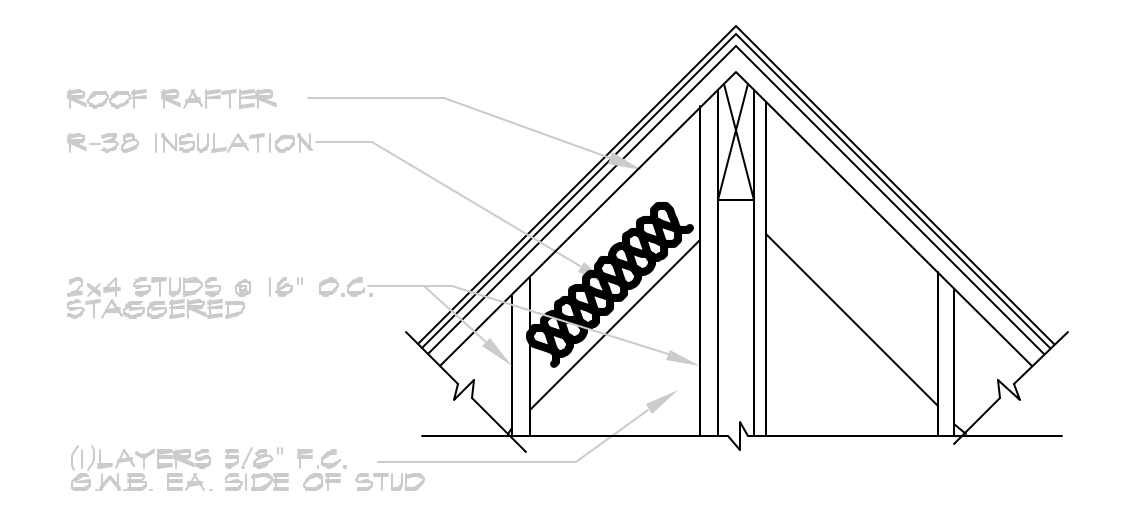
**SECOND FLOOR DETAIL @ UNITS PARTY WALL**  
 SCALE: 3/4"=1'-0"  
 NOTE:  
 ONE HOUR ASSEMBLY  
 SECTION VIEW



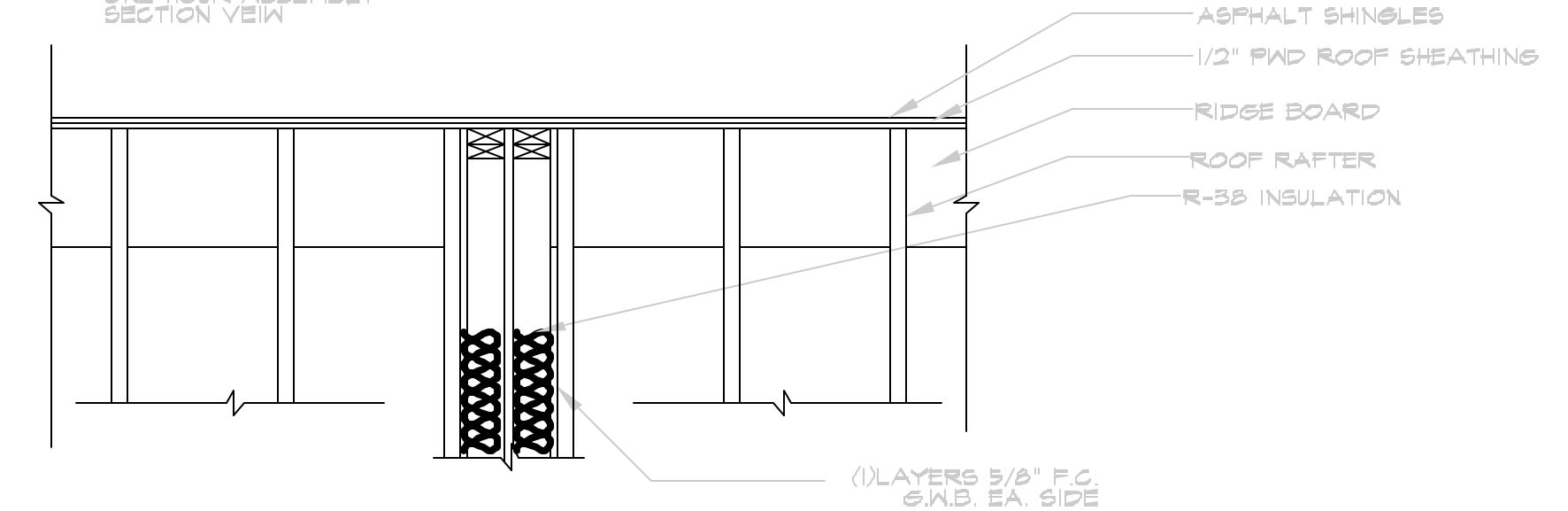
**WALL BASE DETAIL**  
 SCALE: 3/4"=1'-0"  
 NOTE:  
 SUBSTITUTE JOIST AND RAFTER SIZES WITH PLAN CALL-OUT.



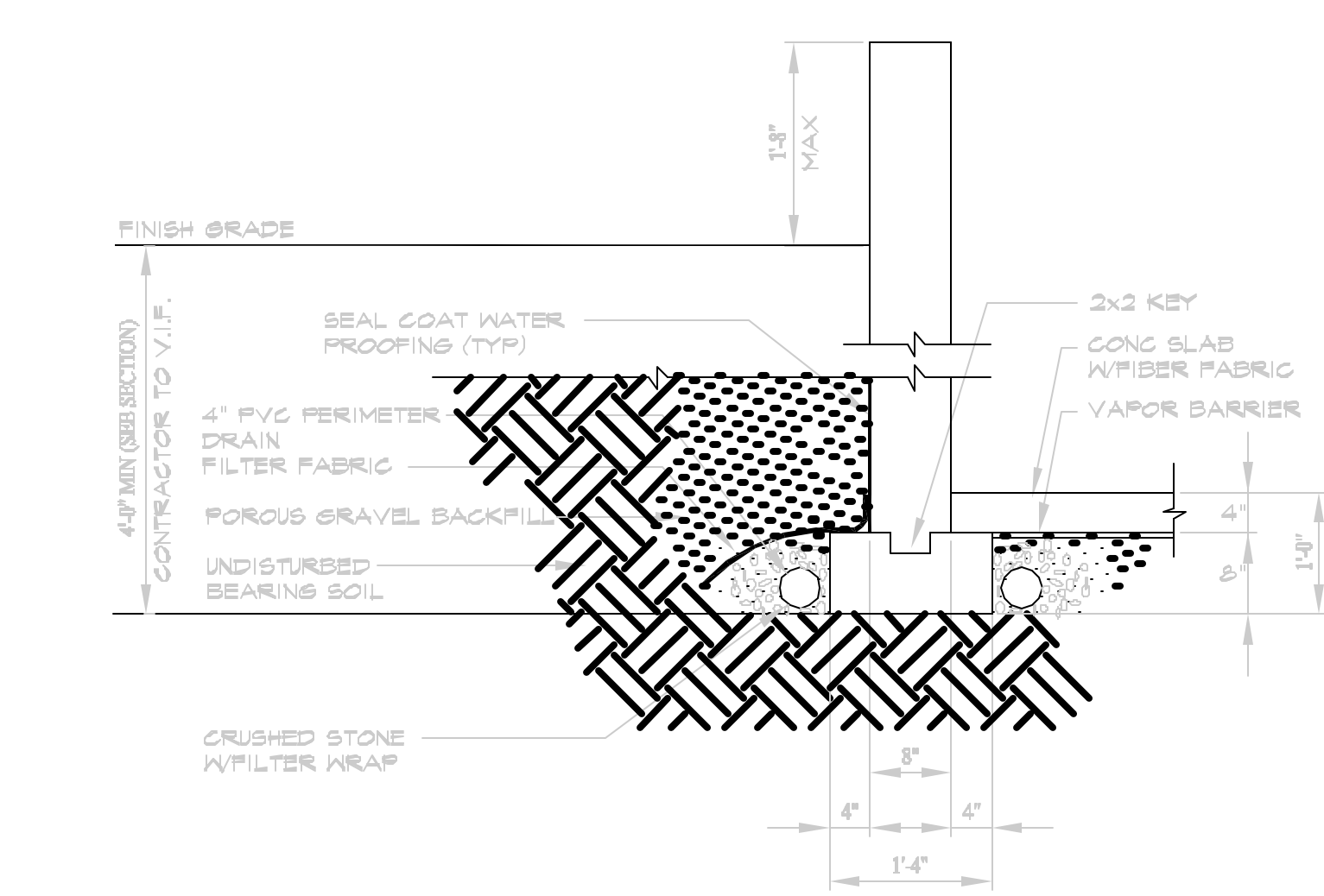
**FOUNDATION CENTER WALL DETAIL**  
 SECTION VIEW  
 SCALE: 3/4"=1'-0"  
 NOTE:  
 SECTION VIEW



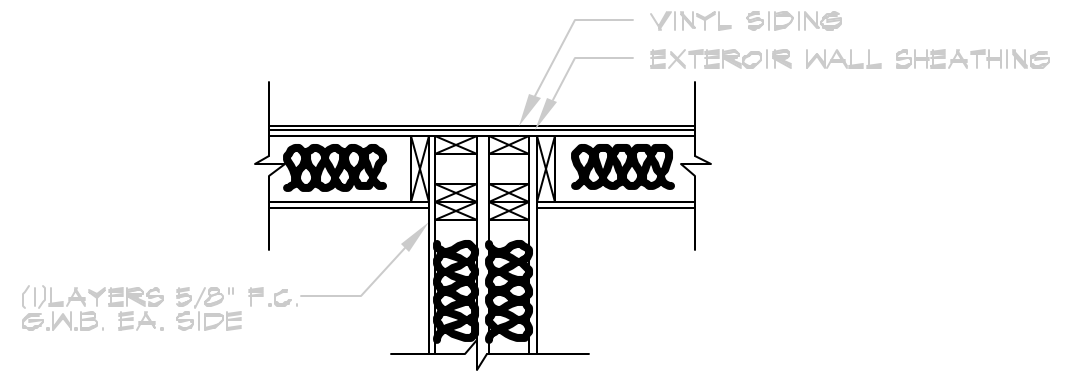
**ROOF SEPARATION DETAIL @ ROOF UNITS PARTY WALL**  
 SCALE: 3/4"=1'-0"  
 NOTE:  
 ONE HOUR ASSEMBLY  
 SECTION VIEW



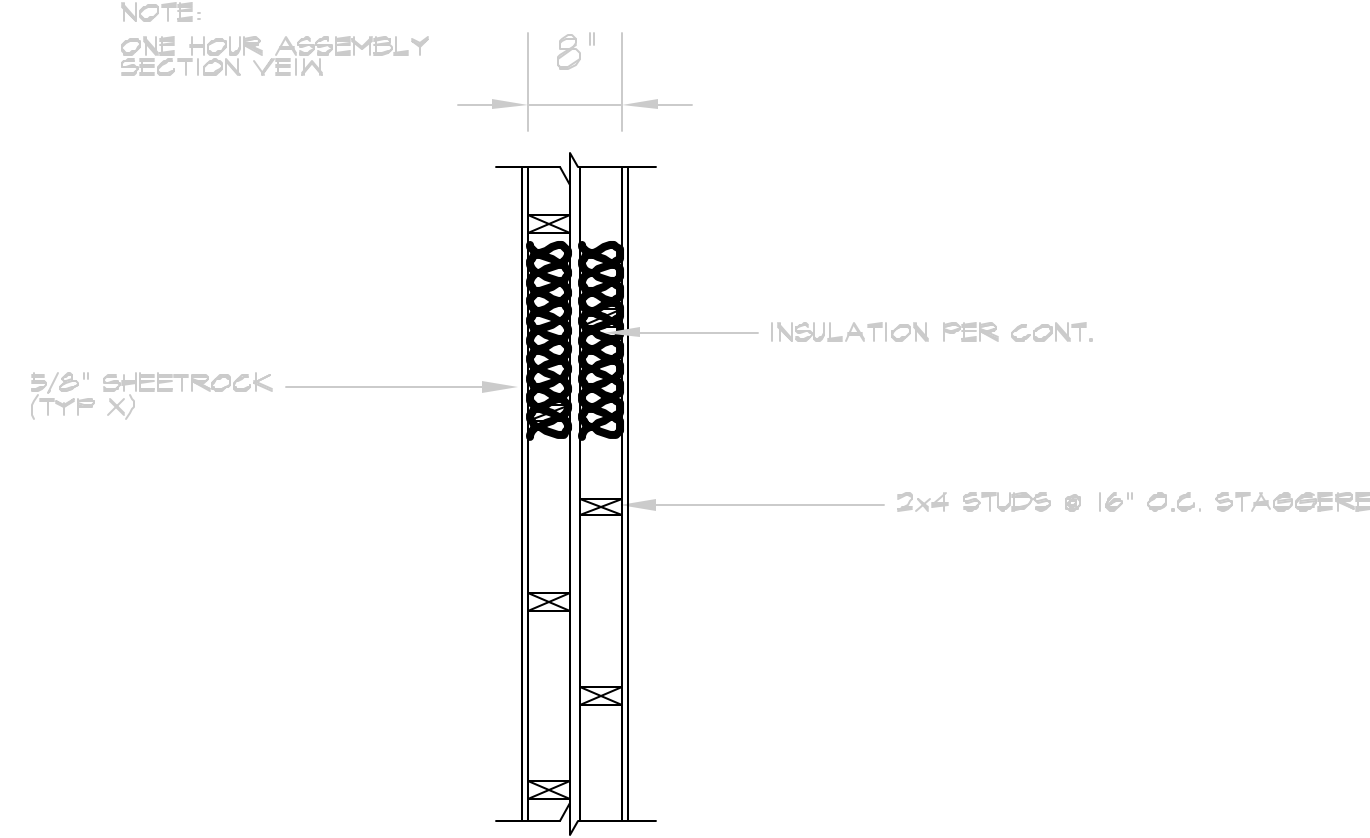
**ROOF SEPARATION DETAIL @ ROOF UNITS PARTY WALL**  
 SCALE: 3/4"=1'-0"  
 NOTE:  
 ONE HOUR ASSEMBLY  
 SECTION VIEW



**FOOTING DETAIL**  
 SCALE: 3/4"=1'-0"  
 NOTE:  
 SUBSTITUTE FOOTING AND WALL SIZES WITH PLAN CALL-OUT.



**EXTERIOR WALL DETAIL @ UNITS PARTY WALL**  
 SCALE: 3/4"=1'-0"  
 NOTE:  
 ONE HOUR ASSEMBLY  
 PLAN VIEW



**PARTY WALL DETAIL**  
 SCALE: 3/4"=1'-0"  
 NOTE:  
 FIRE RATE PARTY WALL PER APPLICABLE CODES/REQUIREMENTS

**NOTE:**  
 THIS DRAWING IS PROVIDED FOR INFORMATIONAL PURPOSES ONLY. IF USED FOR CONSTRUCTION, THE CONTRACTOR ASSUMES ALL RESPONSIBILITY FOR LOCAL CODE COMPLIANCE. ALL DRAWINGS, PLANS, SPECIFICATIONS, ETC. ARE PROVIDED TO OUR CLIENTS BASED UPON INFORMATION PROVIDED BY THE CLIENT AND DRAWN IN ACCORDANCE WITH COMMON BUILDING PRACTICES AND LOCAL CODES. NONE OF THE EMPLOYEES OF FMC CADD DRAFTING SERVICES, INC. ARE REGISTERED ARCHITECTS, ENGINEERS OR LAND SURVEYORS. ALL DIMENSIONS AND SPECIFICATIONS SHOULD BE VERIFIED BY CLIENT AND/OR CONTRACTOR BEFORE ACTUAL CONSTRUCTION. DESIGN, DIMENSIONS AND SPECIFICATIONS ARE NOT VERIFIED BY CLIENT AND/OR CONTRACTOR BEFORE ACTUAL CONSTRUCTION. DESIGN FMC CADD DRAFTING SERVICES, INC. SHALL BE HELD HARMLESS. FMC CADD DRAFTING SERVICES, INC. ASSUMES NO LIABILITY FOR CHANGES AND/OR REVISIONS MADE TO PLANS BY CLIENT AND/OR CONTRACTOR.

REVISIONS	
CODE:	BOCA 1999
PORTLAND, ME.	
DATE:	11/06/02
SCALE:	3/4"=1'-0"
DRAWN:	FMC/BR
FILE:	01-0431M
SHEET:	DS