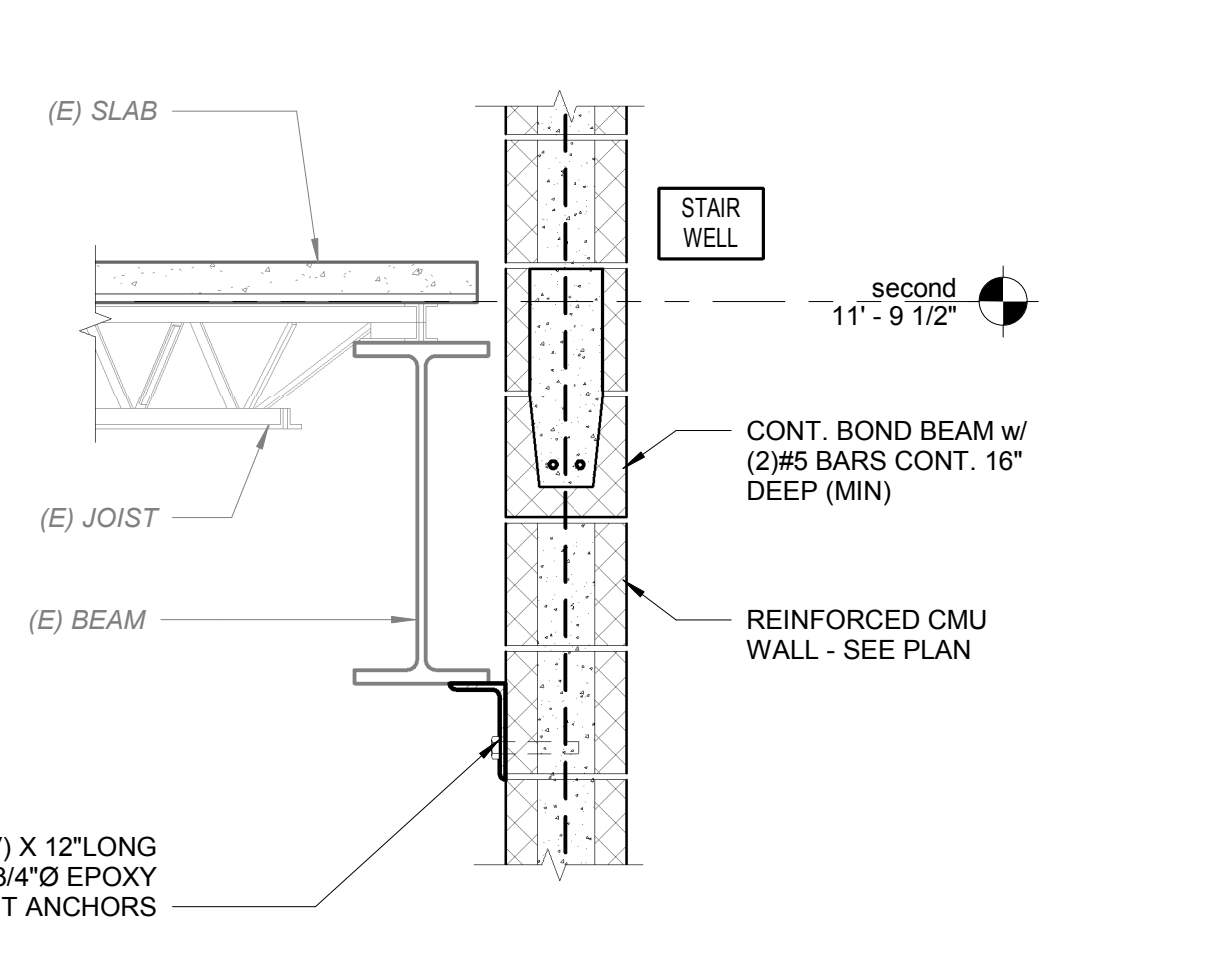
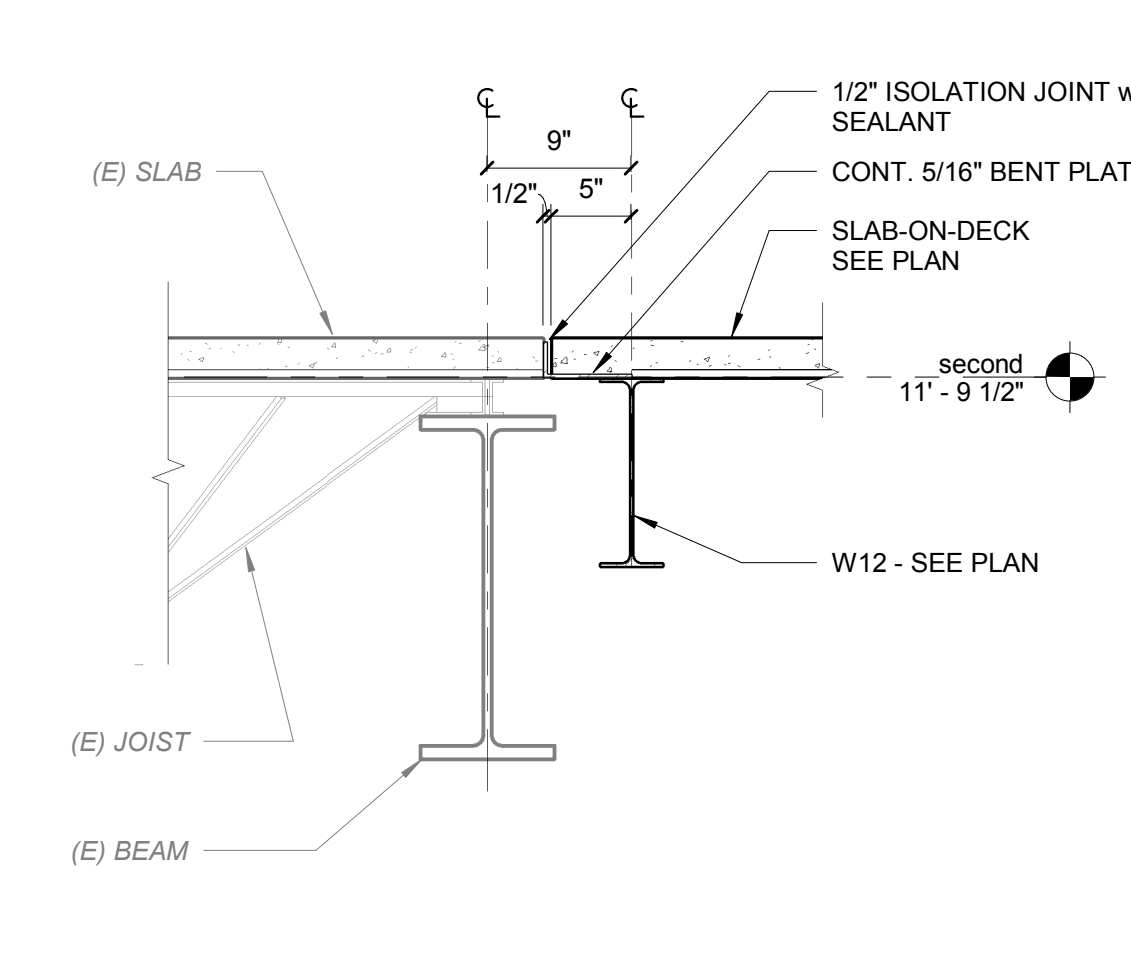
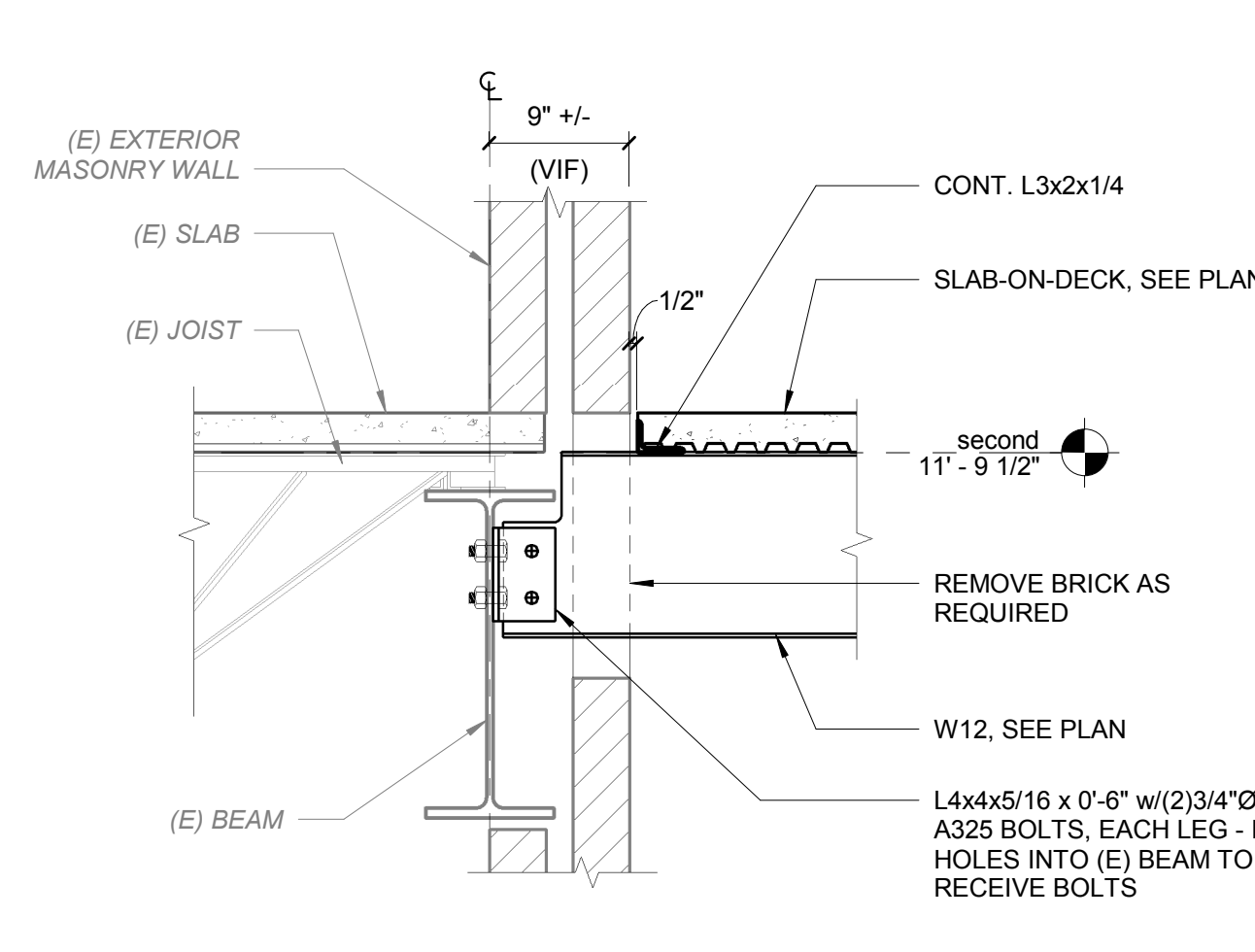
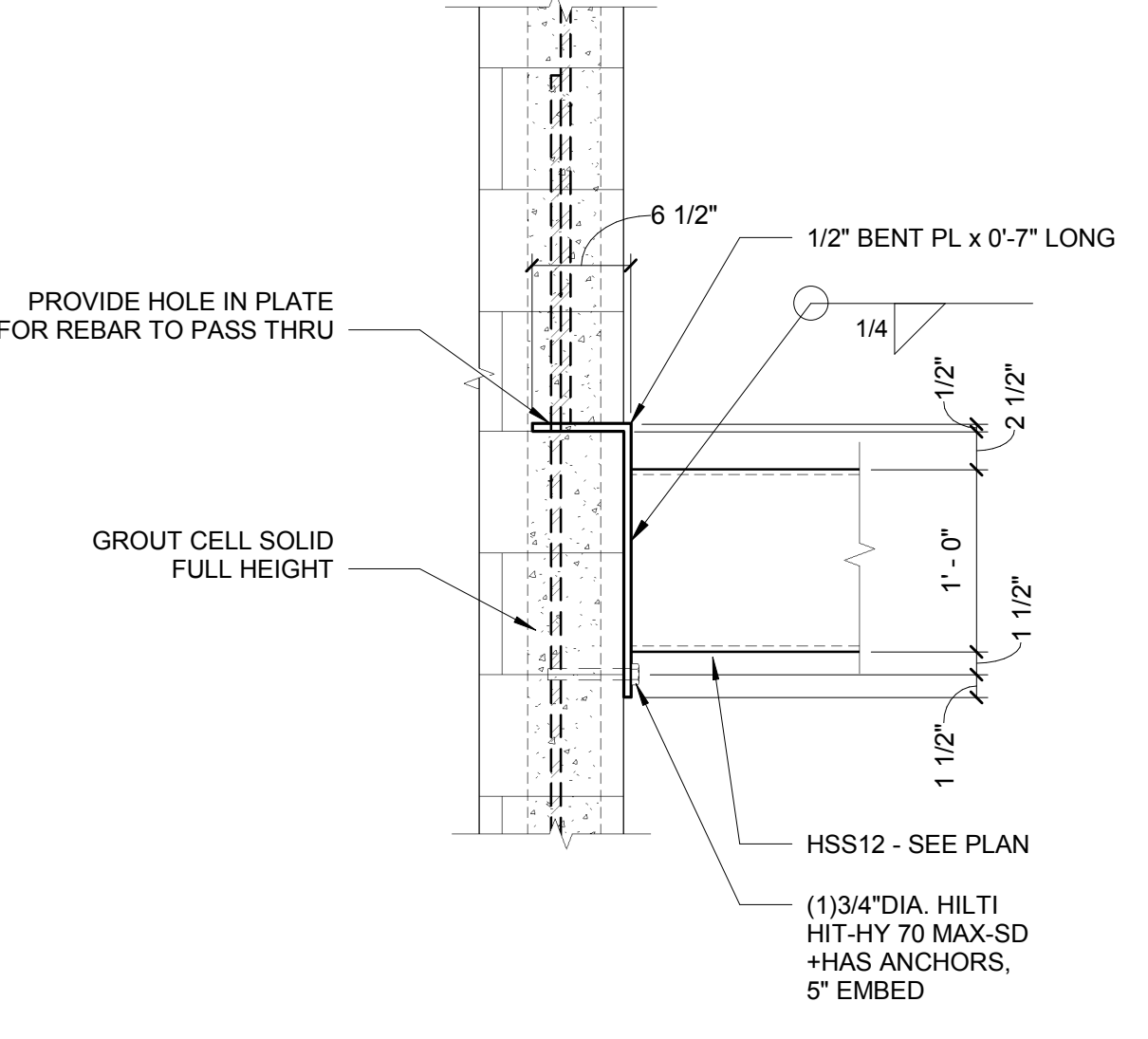
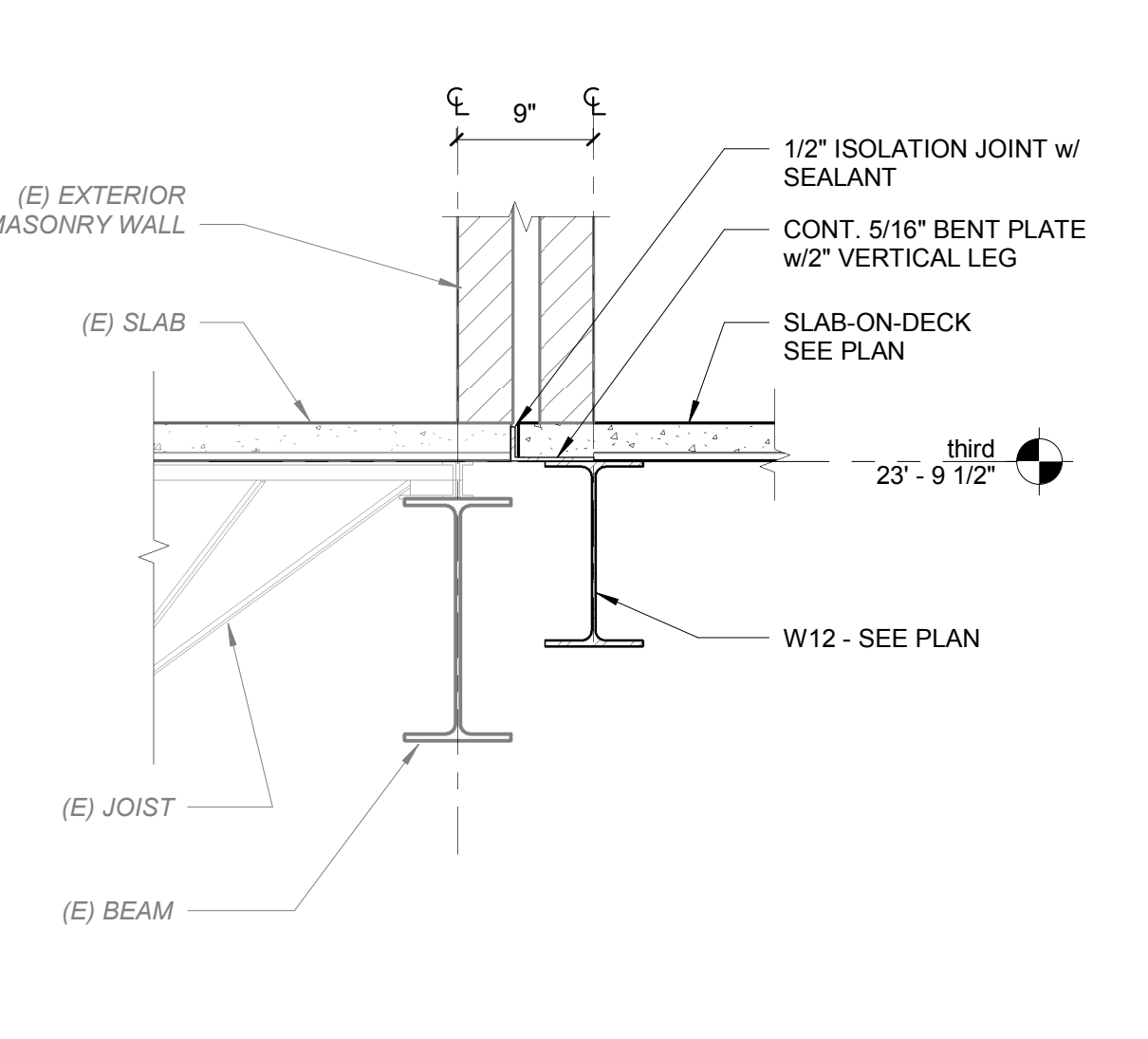
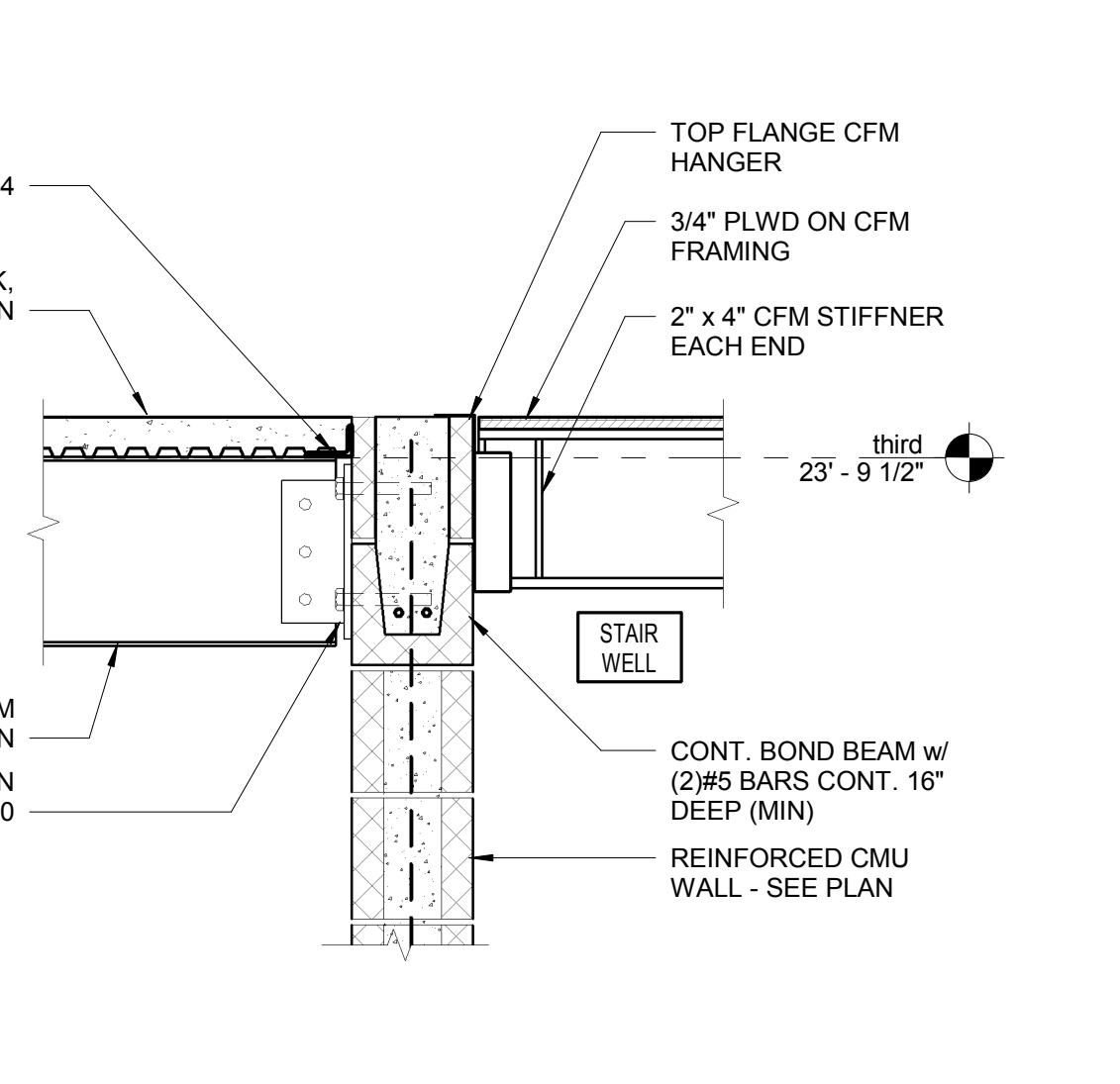
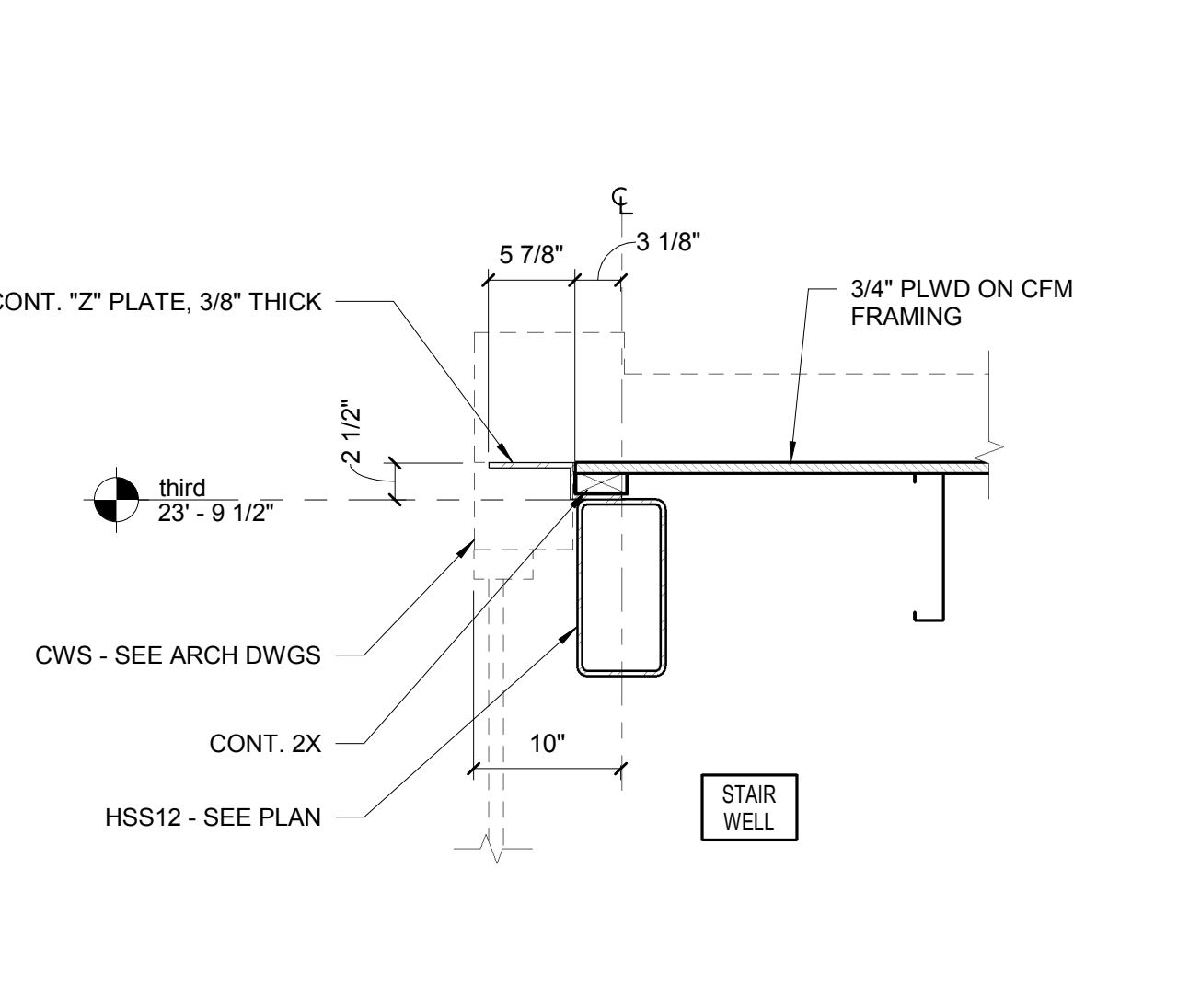
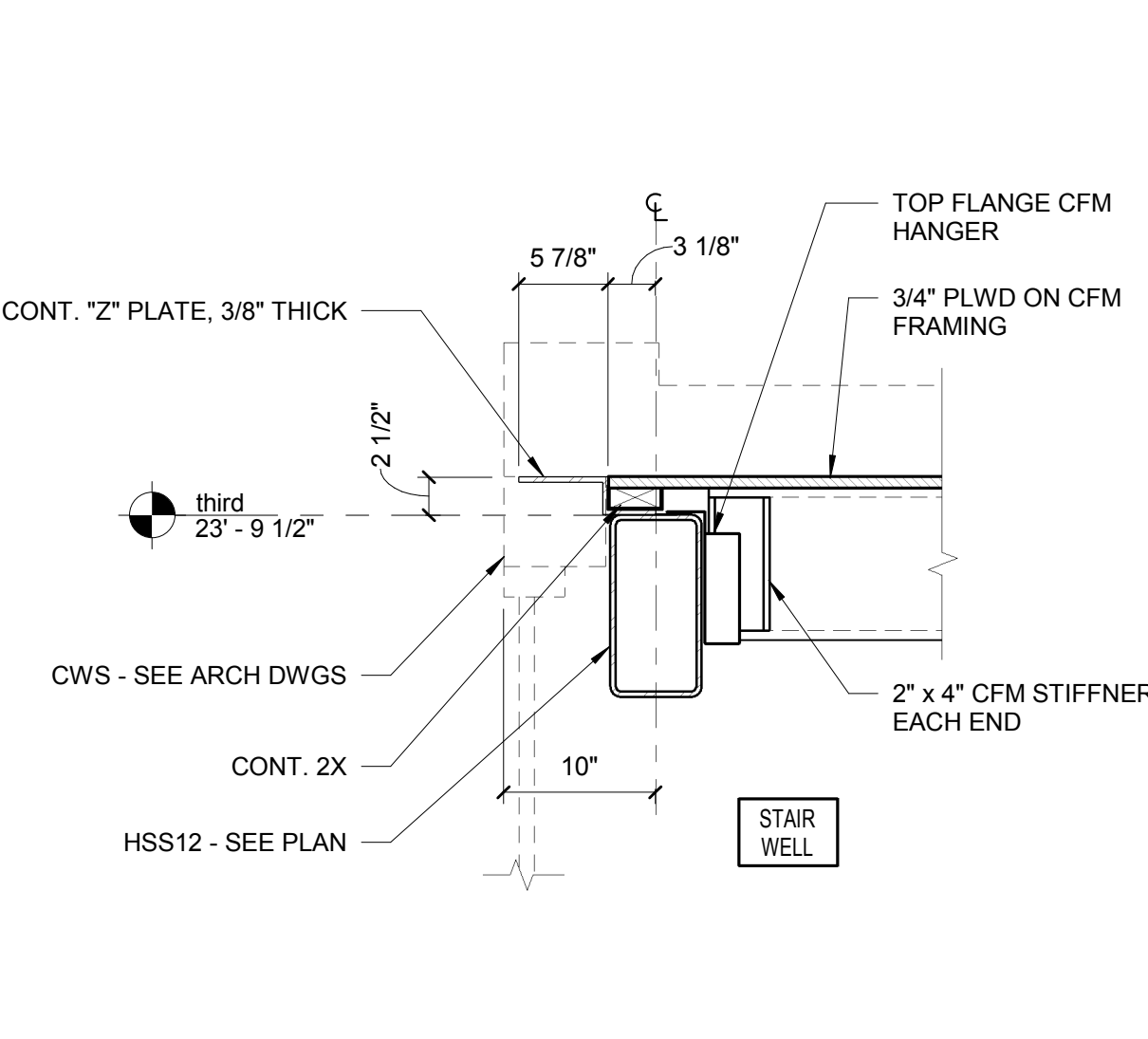


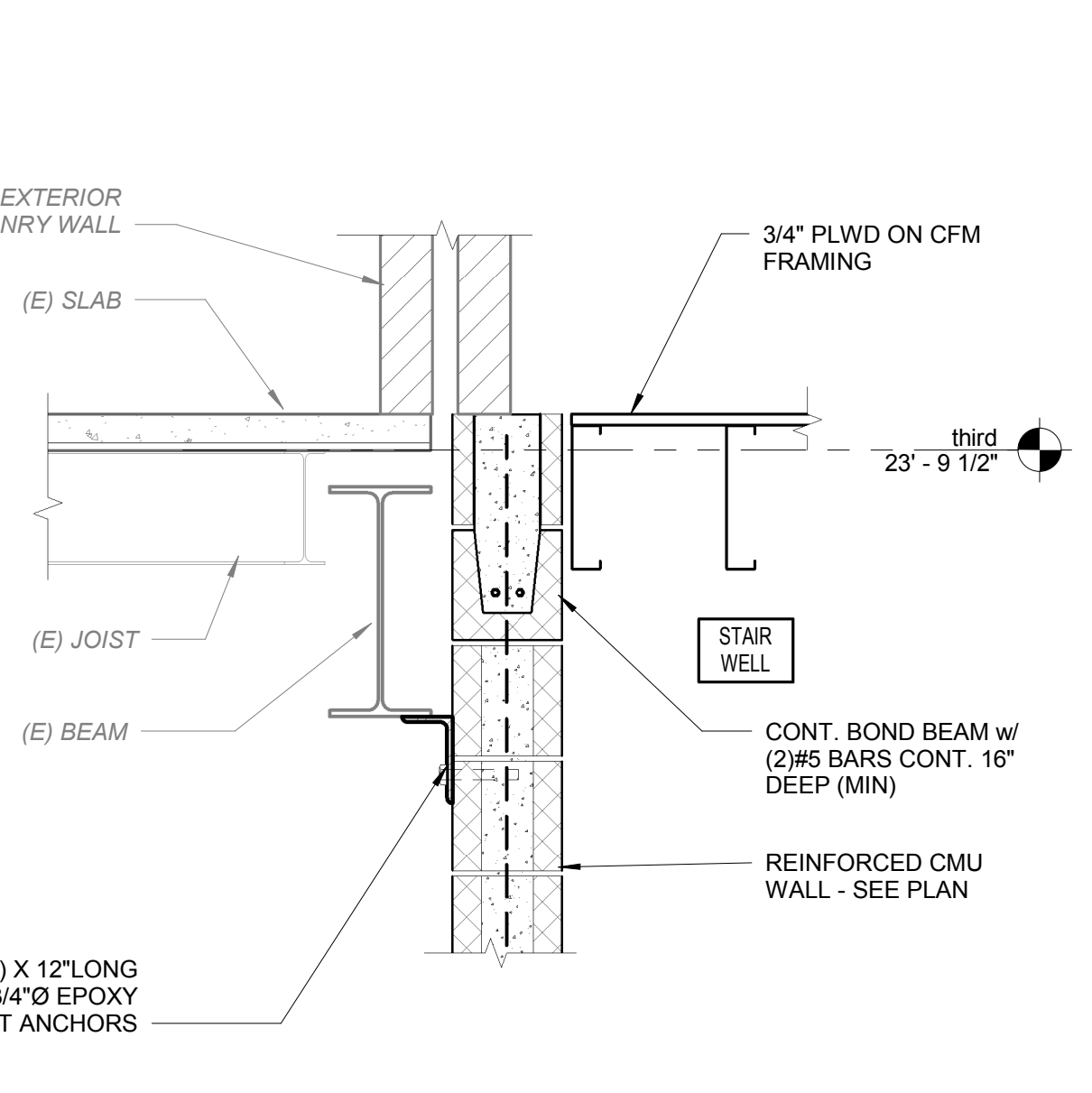
E6	SECTION AT W12 BEARING AT CMU WALL	E5	SECTION AT HSS BEARING AT EXISTING BEAM	E3	SECTION AT EXTERIOR	E1	FACE PLATE CONNECTION DETAIL
1\"/>							



D5	HSS BEARING ON CMU WALL	D4	SECTION AT W12 BEARING AT EXISTING BEAM	D3	SECTION AT EXISTING WALL	D1	SECTION AT CMU WALL TIE TO EXISTING BEAM
1\"/>							



B5	SECTION AT THIRD FLOOR	B4	SECTION AT THIRD FLOOR	B3	SECTION AT W12 BEARING AT CMU WALL AT THIRD FLOOR	B1	SECTION AT EXISTING WALL AT THIRD FLOOR
1\"/>							



A1	SECTION AT CMU WALL TIE TO EXISTING BEAM AT THIRD FLOOR
1\"/>	

PDT ARCHITECTS
 49 DARTMOUTH STREET
 PORTLAND, MAINE 04101
 207-775-1059
 www.pdtarch.com

COPYRIGHT 2017
 PDT Architects
 Reuse or reproduction of the
 contents of this document is not
 permitted without written
 permission of PDT Architects.

Allied Engineering
 Structural Mechanical
 Electrical Consulting
 160 Veranda Street
 Portland, Maine 04103
 T: 207.221.2266
 F: 207.221.2266
 Web: www.allied-eng.com

Allied Project No: 17013

CASCO BAY HIGH SCHOOL- RENOVATIONS
 196 Allen Avenue
 Portland, ME

No.	Date	Description

Revision Schedule

STATE OF MAINE
 WILLIAM FAUCHER
 67193
 PROFESSIONAL ENGINEER

JOB NO.
 17056

DRWN. CHK
 PED WPF

SCALE:

ISSUE
 Permitting Set
 19 February 2018

TITLE
 STRUCTURAL -
 DETAILS

SHEET
SF500