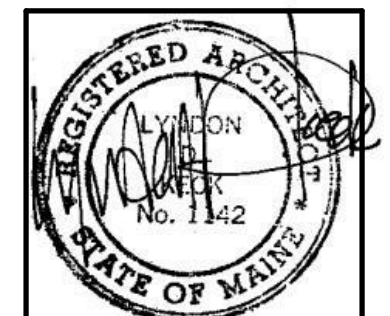


CASCO BAY HIGH SCHOOL - RENOVATIONS
196 Allen Avenue
Portland, ME

No.	Date	Description
B		Revision Schedule



JOB NO.
17056

DRWN. CHK
Checker

SCALE:

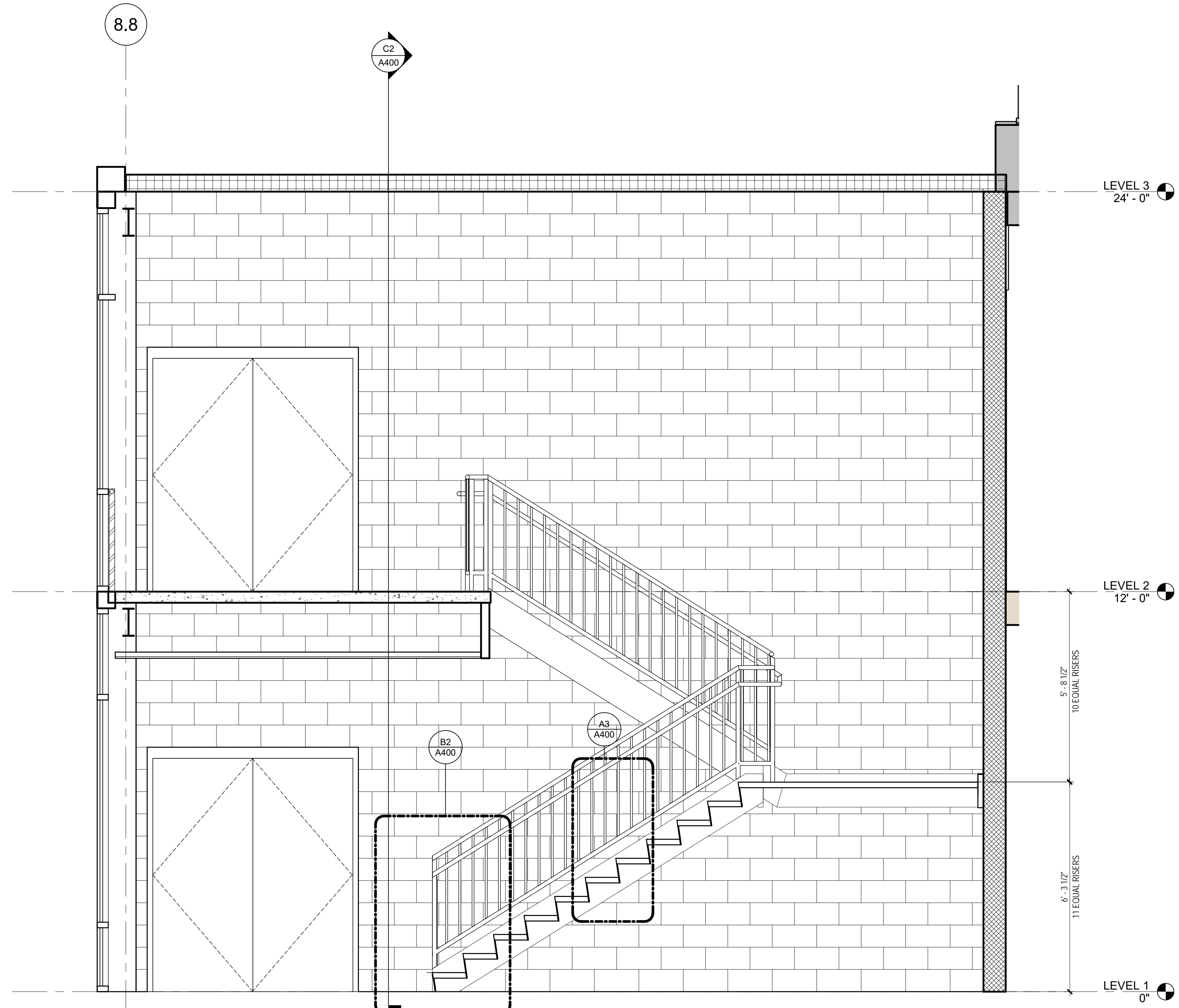
ISSUE
02/19/2018

TITLE
Stair Drawings /
Sections

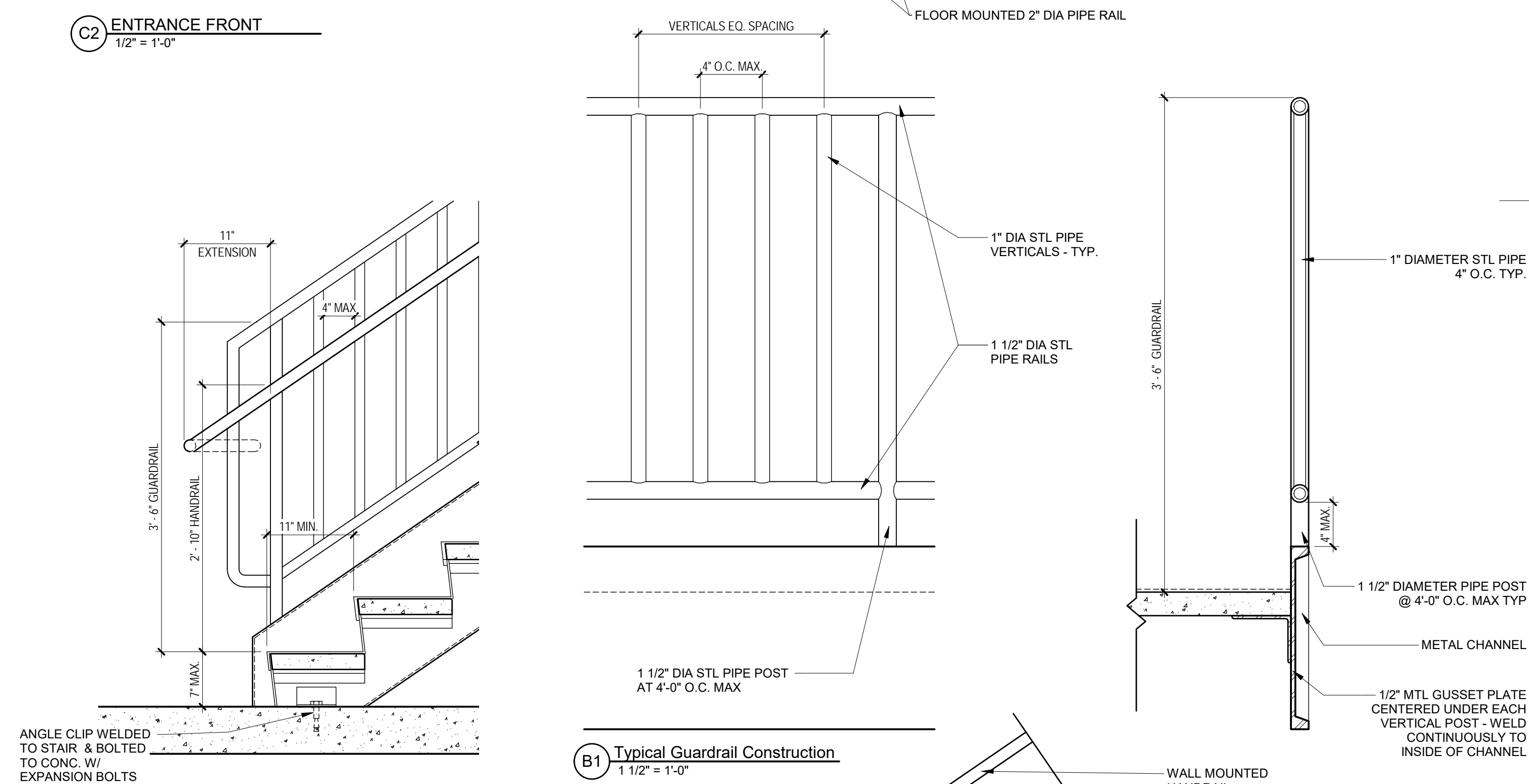
SHEET
A400



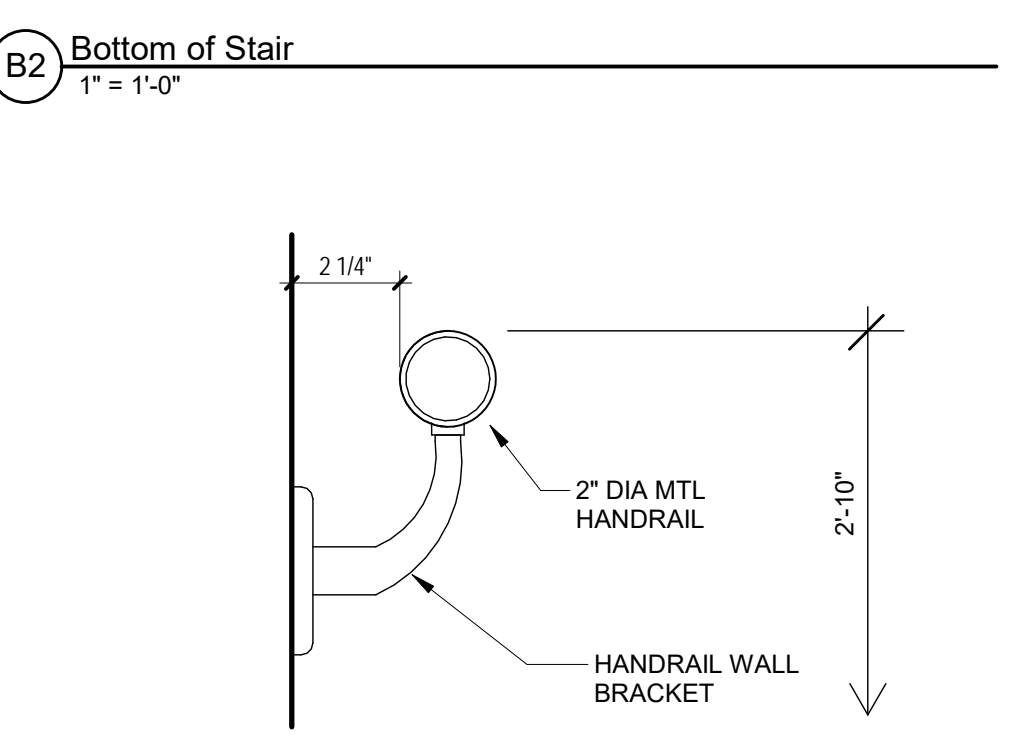
C2 ENTRANCE FRONT
1/2" = 1'-0"



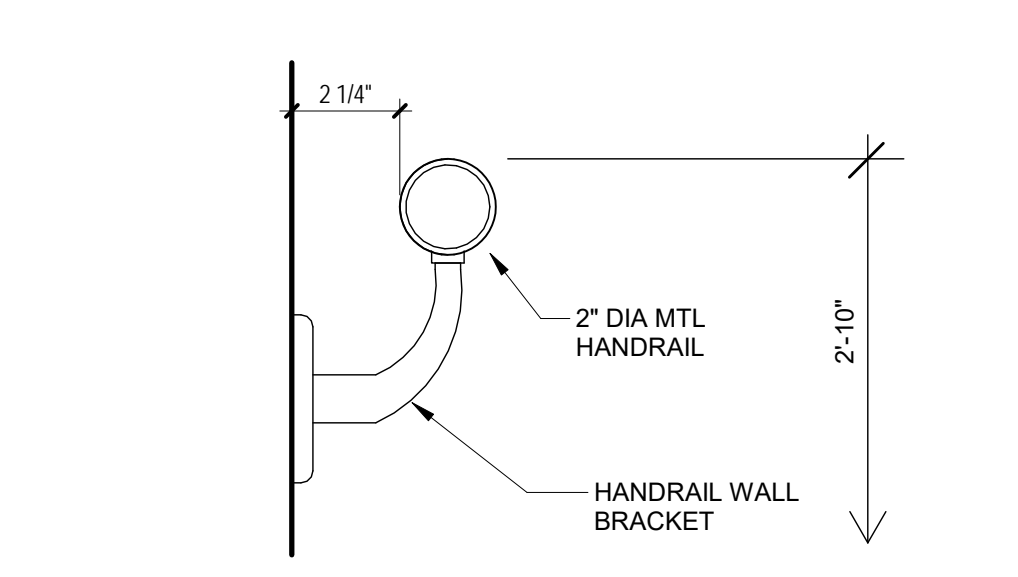
C1 ENTRANCE SIDE
1/2" = 1'-0"



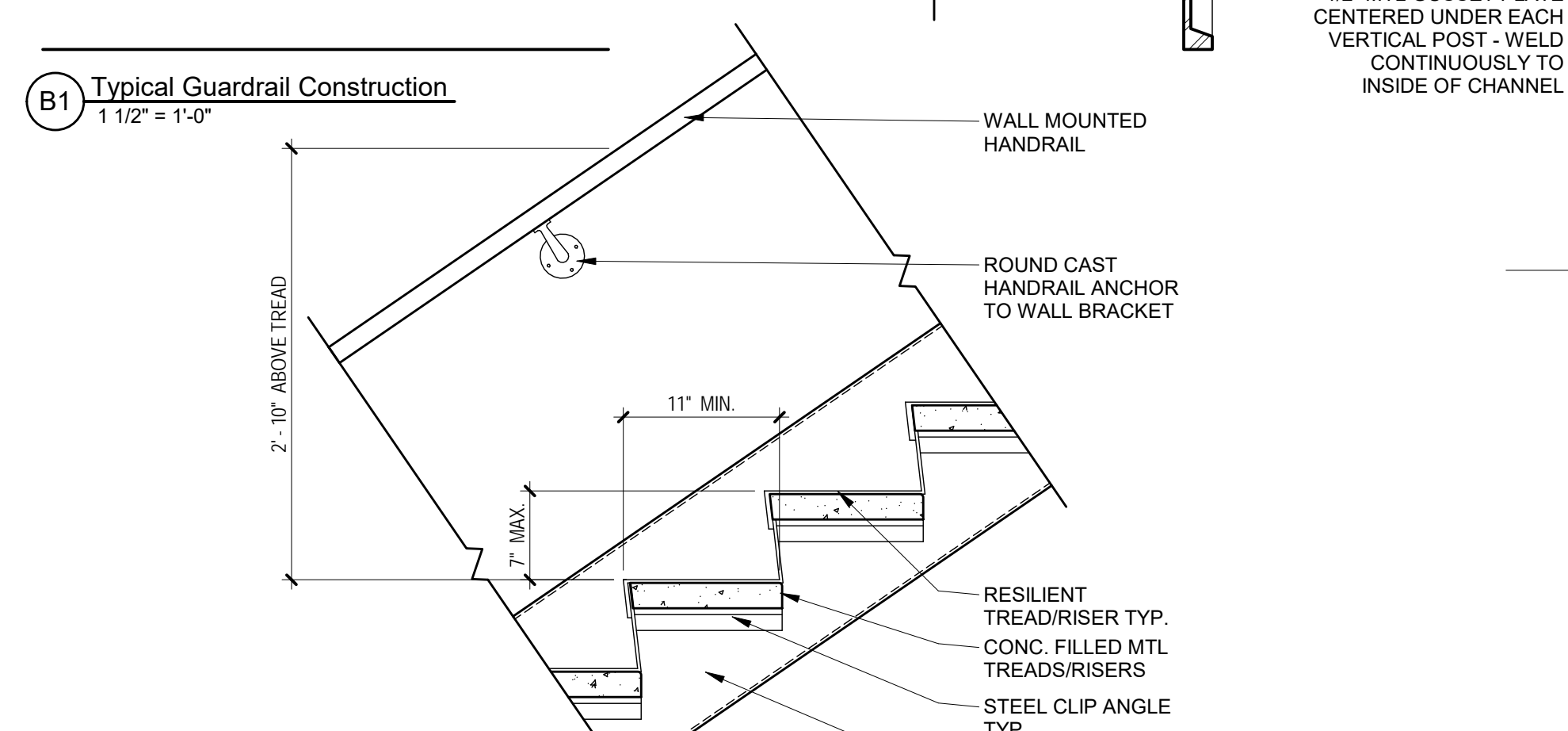
B1 Typical Guardrail Construction
1 1/2" = 1'-0"



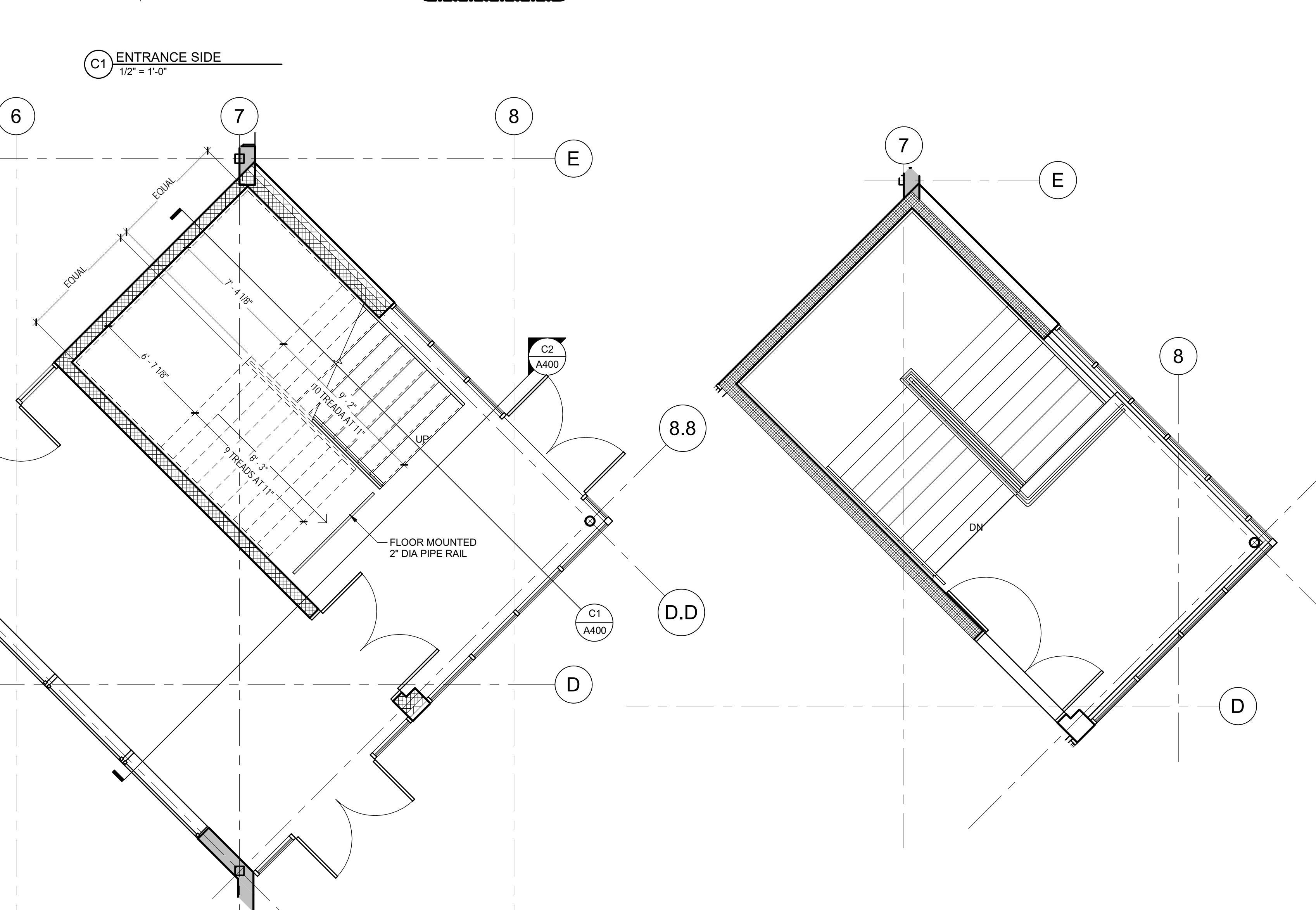
B2 Bottom of Stair
1" = 1'-0"



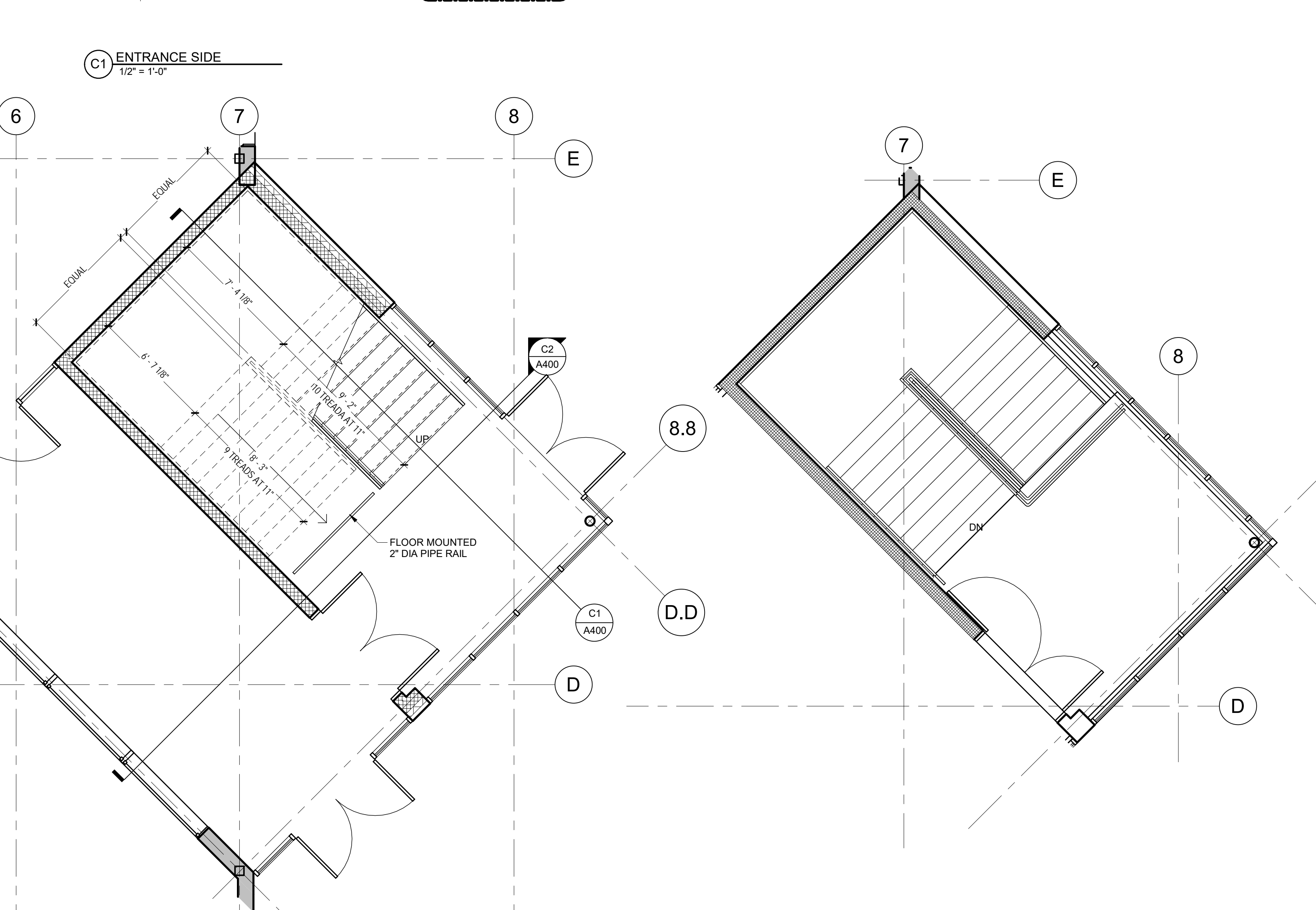
A4 Typical Wall-mounted Handrail Bracket
3" = 1'-0"



A3 Typical Stair Run
1" = 1'-0"



A1 LEVEL 2 - Callout 1
1/4" = 1'-0"



A2 LEVEL 1 - Callout 1
1/4" = 1'-0"