

JOB NO.  
14036

DRWN. CHK

SCALE:  
As indicated

ISSUE STATUS  
CONSTRUCTION  
ISSUE DATE  
APRIL 18, 2014

TITLE  
PLUMBING  
SCHEDULES,  
DETAILS & NOTES

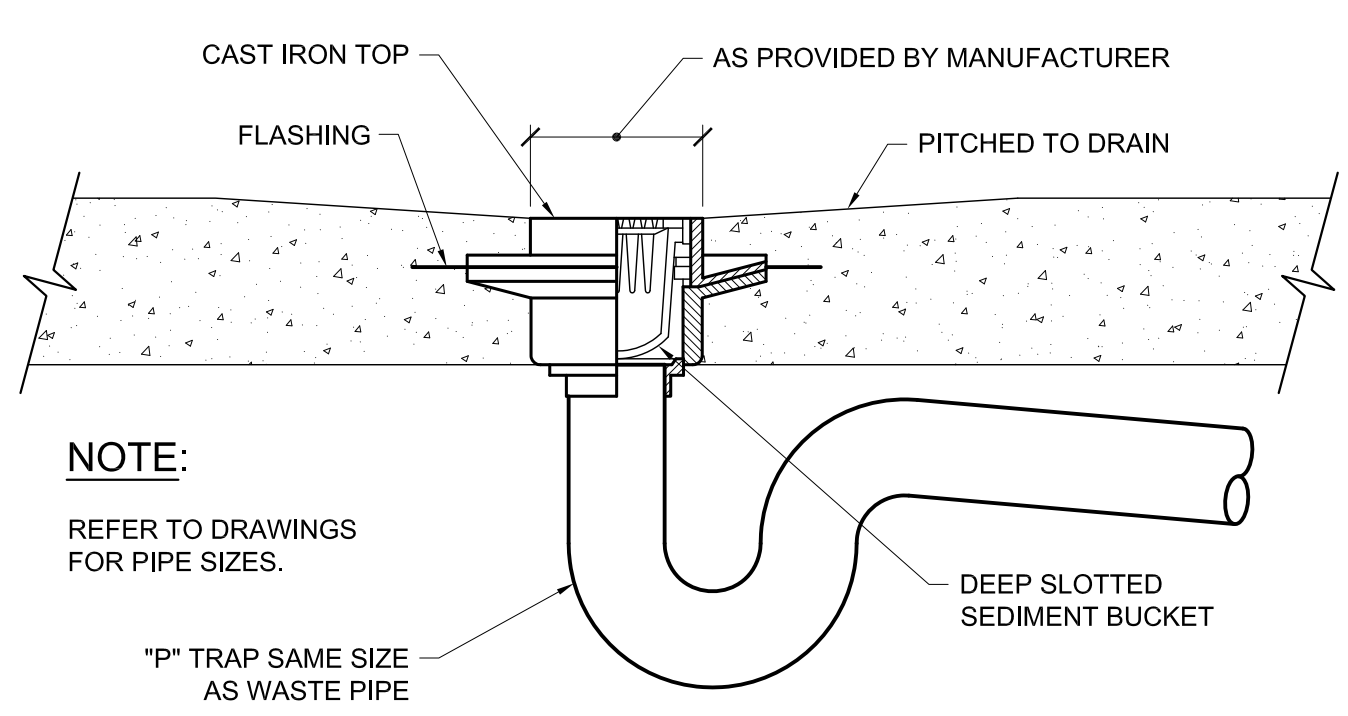
SHEET

**PL-500**

PLUMBING FIXTURE SCHEDULE											
TAG	DESCRIPTION	BRANCH SIZES									GENERAL NOTES
		TW	NCW	NHW	CW	HW	ACID-VENT	ACID-WASTE	VENT	WASTE	
P-1	LAB SINK WITH DRAIN BOARD (SINGLE BAY)	----	1/2"	1/2"	----	----	1 1/2"	1 1/2"	----	----	(SINK, FAUCET & GAS COCK PROVIDED BY DIVISION 12)
NB-1	NEUTRALIZATION BASIN -15 GALLON	----	----	----	----	----	2"	3"	----	3"	ORION, MODEL ORT 0015
NB-2	NEUTRALIZATION BASIN POINT OF USE - 5 GALLON	----	----	----	----	----	1 1/2"	2"	----	2"	ORION, STYLE 9
NB-3	NEUTRALIZATION BASIN POINT OF USE - 5 GALLON	----	----	----	----	----	1 1/2"	2"	----	2"	ORION, STYLE 9
DW	DISH WASHER HOOK-UP	----	----	----	----	1/2"	----	----	1 1/2"	1 1/2"	
EW-1	EMERGENCY EYEWASH/SHOWER	1 1/2"	----	----	----	----	----	----	----	----	
EW-2	EMERGENCY EYEWASH/ DECK MOUNTED	3/4"	----	----	----	----	----	----	----	----	
FD	FLOOR DRAIN	----	----	----	----	----	----	----	1 1/2"	3"	PROVIDE TRAP PRIMER

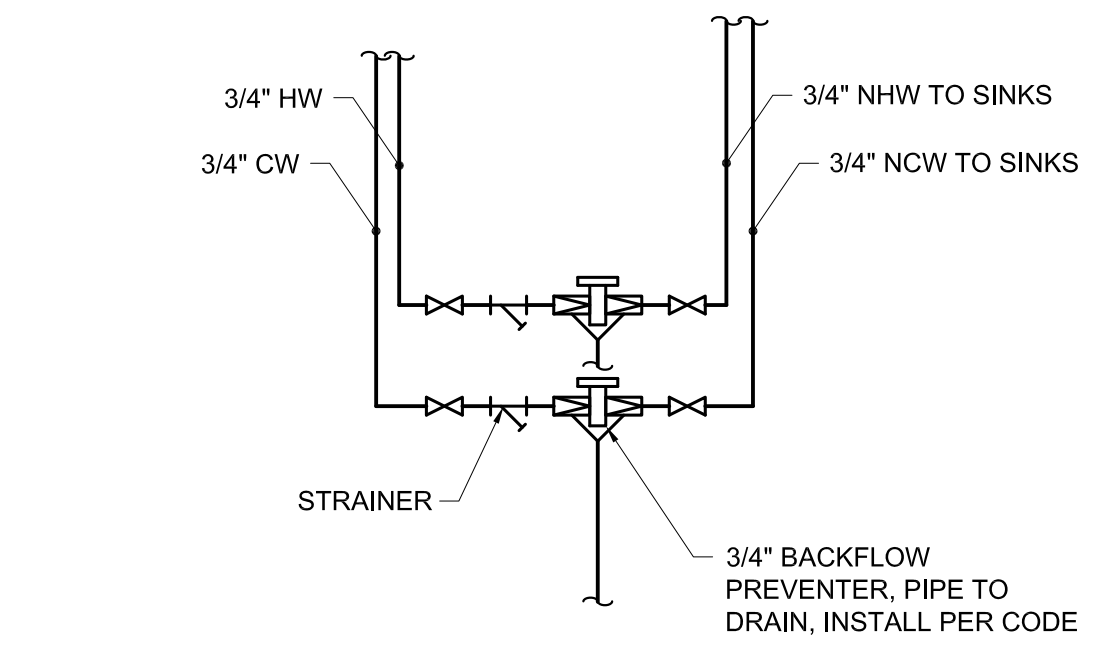
F6 SCHEDULE ~ PLUMBING

NONE



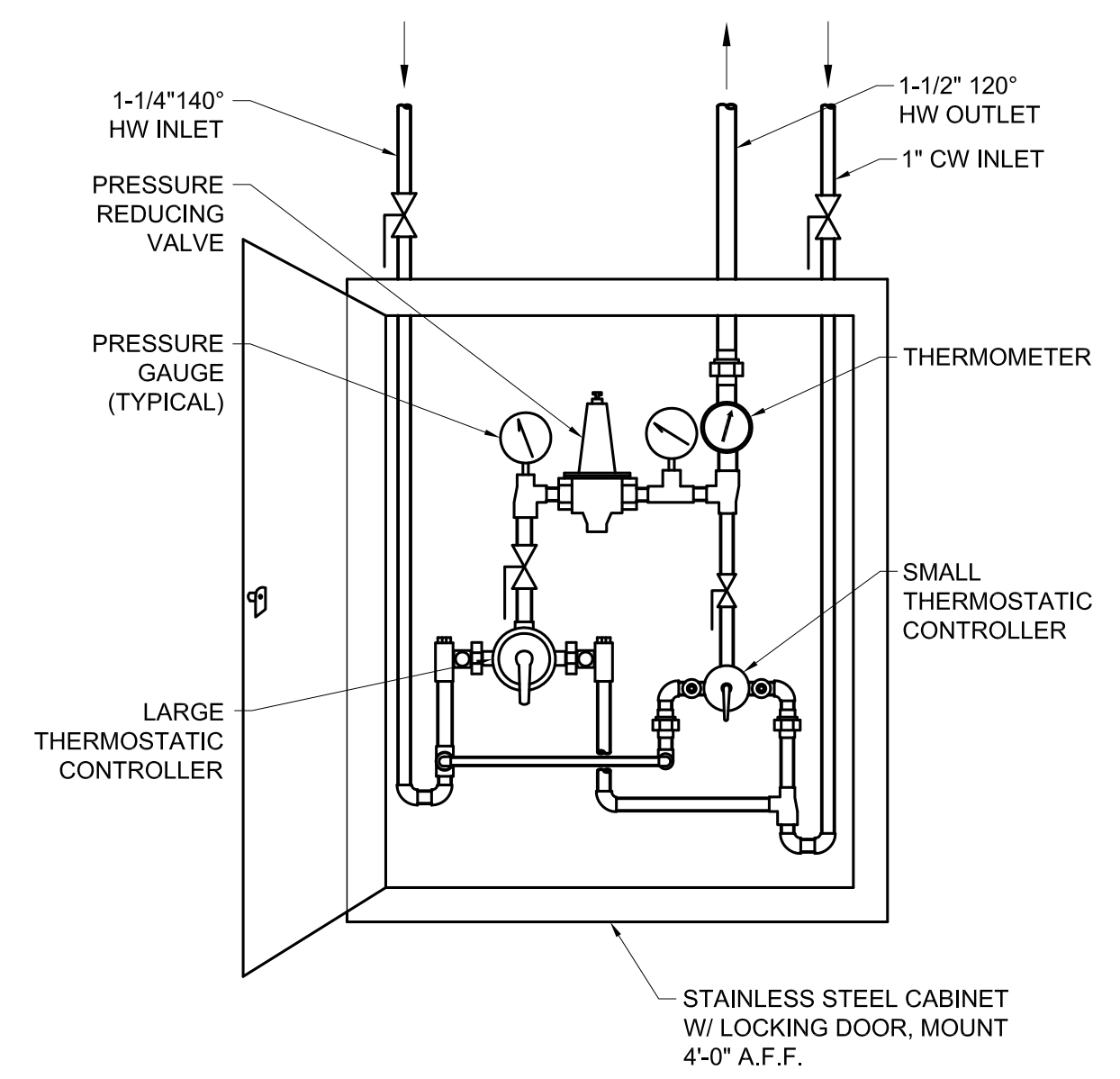
D1 DETAIL ~ FLOOR DRAIN

NONE



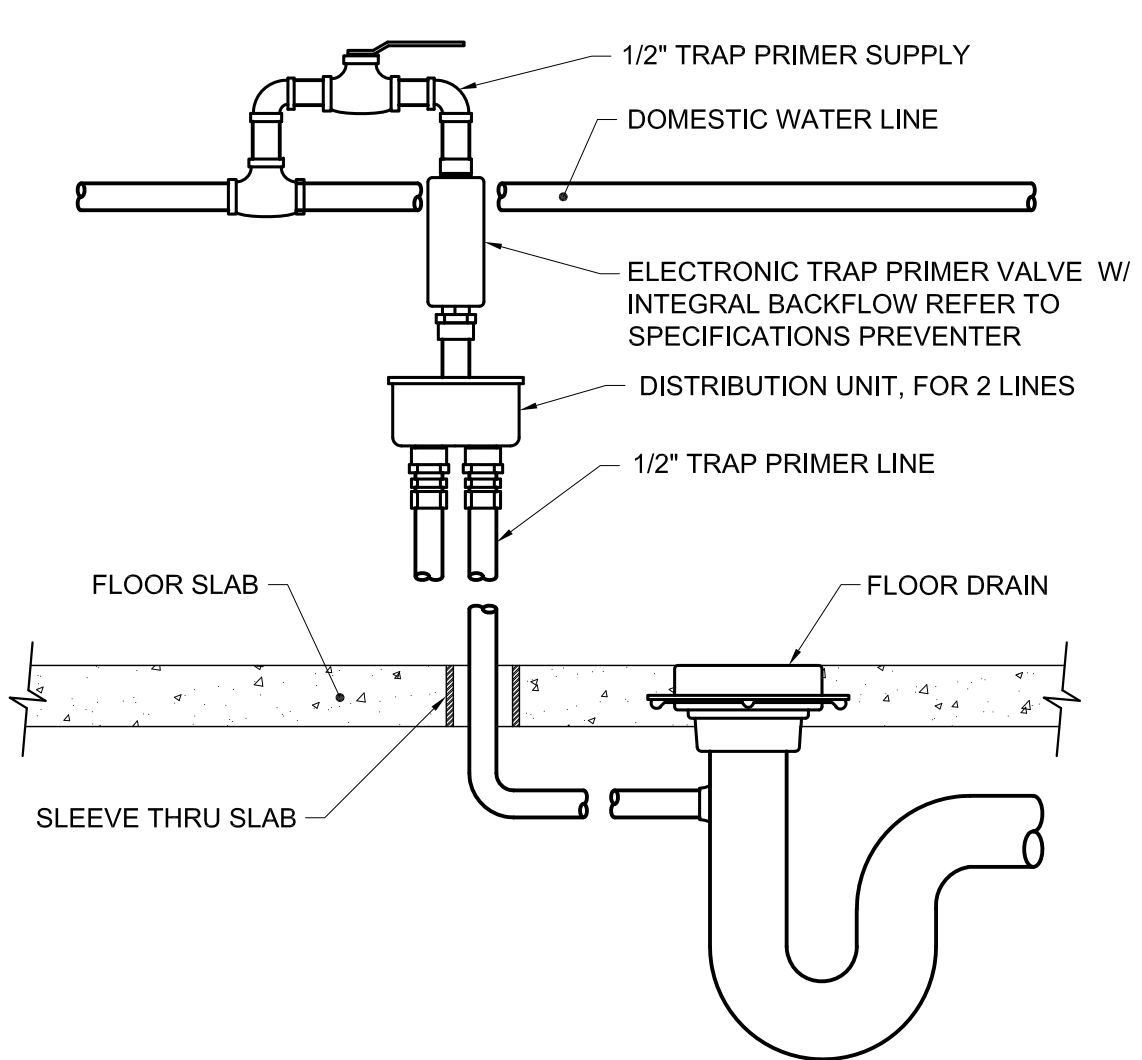
D3 DETAIL ~ NCW & NHW BACKFLOW PREVENTER PIPING

NONE



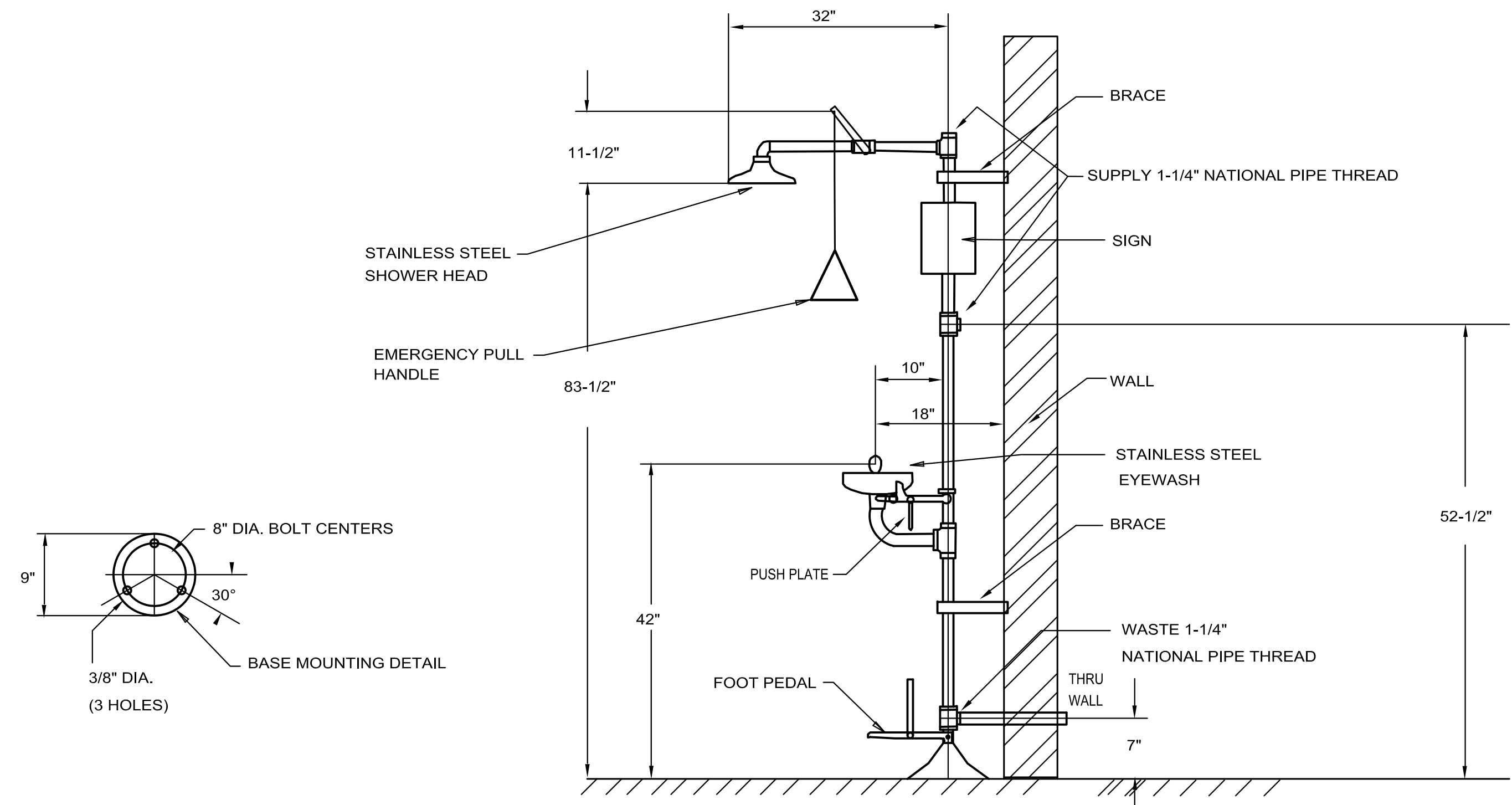
A1 DETAIL ~ MIXING VALVE PIPING

NONE



A3 DETAIL ~ TRAP PRIMER PIPING

NONE



A6 DETAIL ~ EMERGENCY EYEWASH

NONE

N:\Projects\2014\14024 - CBHS Chemistry Room and Assembly Space Renovations\00 Drawing Files\14024\_P.dwg Apr 18, 2014 - 9:13am