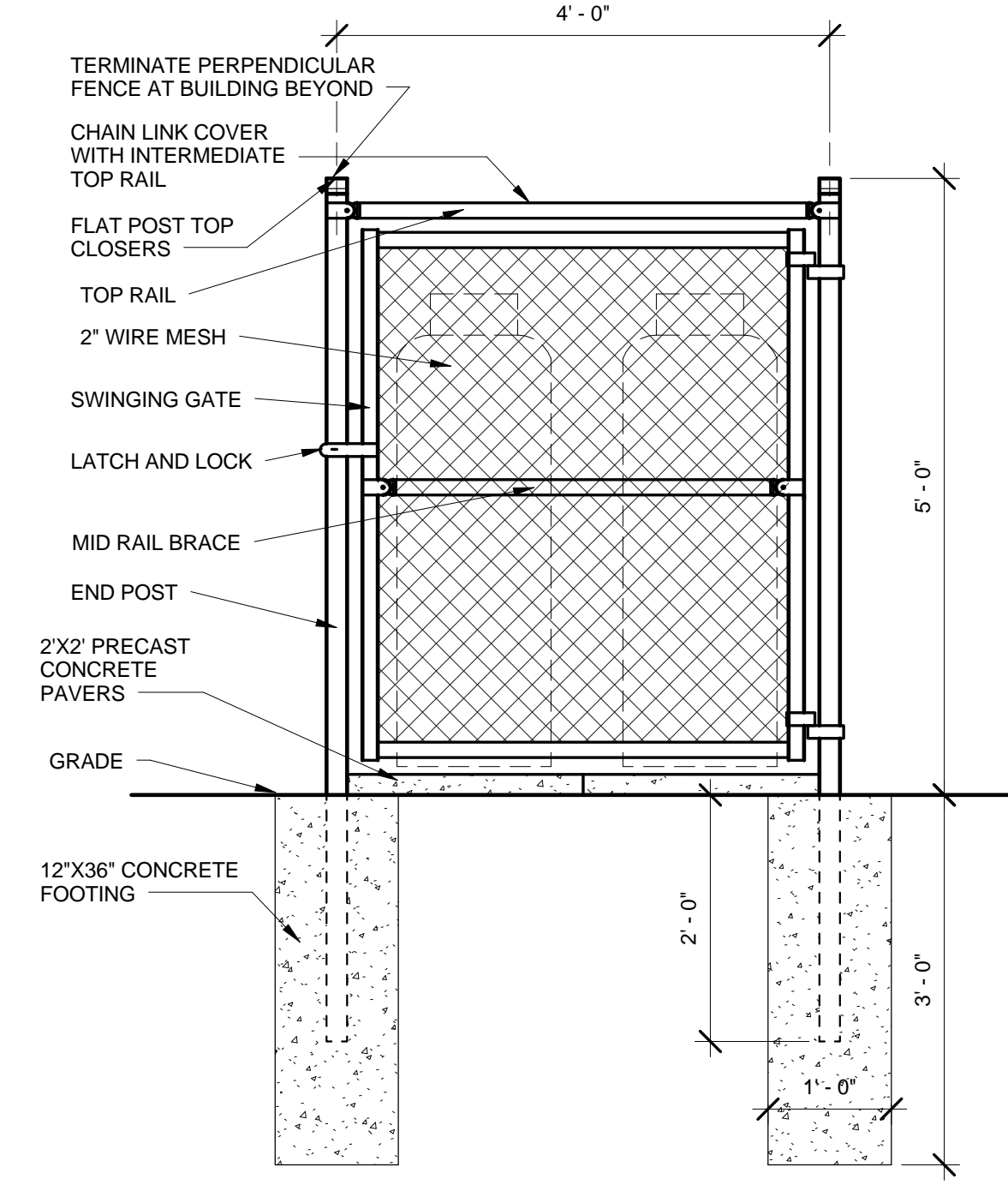
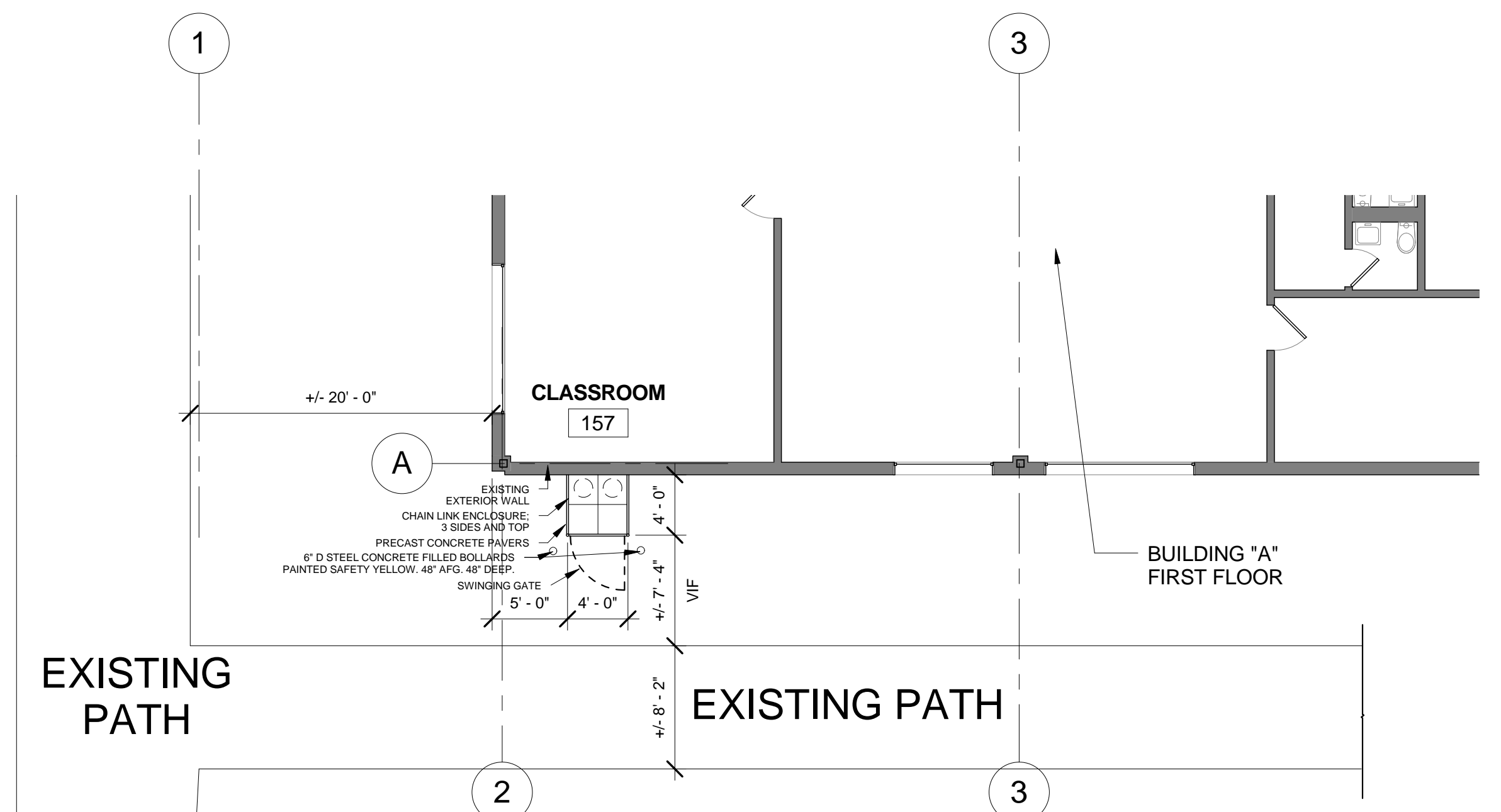


2 ENLARGED PLAN AT EXTERIOR GAS LOCATION-CHAIN LINK ENCLOSURE  
1/4" = 1'-0"



3 DETAIL AT CHAIN LINK ENCLOSURE DETAILS  
3/4" = 1'-0"



1 EXTERIOR GAS LOCATION-CHAIN LINK ENCLOSURE, SITE PLAN  
1/8" = 1'-0"

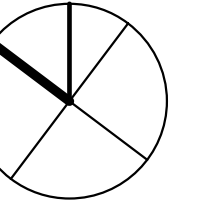
NOTE:  
1. MAINTAIN 5' CLEAR FROM EXISTING LOUVER  
2. NOTIFY ARCHITECT AND OWNER OF ANY MODIFICATION REQUIRED OF EXISTING LANDSCAPING



49 DARTMOUTH STREET  
PORTLAND, MAINE 04101  
207-775-1059  
www.pdtarchs.com

COPYRIGHT 2014  
PDT Architects  
Reuse or reproduction of the contents of this document is not permitted without written permission of PDT Architects.

Minor Interior Renovations at 196 Allen Avenue for  
CASCO BAY HIGH SCHOOL  
196 Allen Avenue, Portland Maine



JOB NO.  
14036

DRWN. CHK  
Checker

SCALE:  
As indicated

ISSUE STATUS  
PROGRESS  
ISSUE DATE  
04-16-14

TITLE  
NEW PROPANE  
TANK PLANS AND  
DETAIL

SHEET  
A602