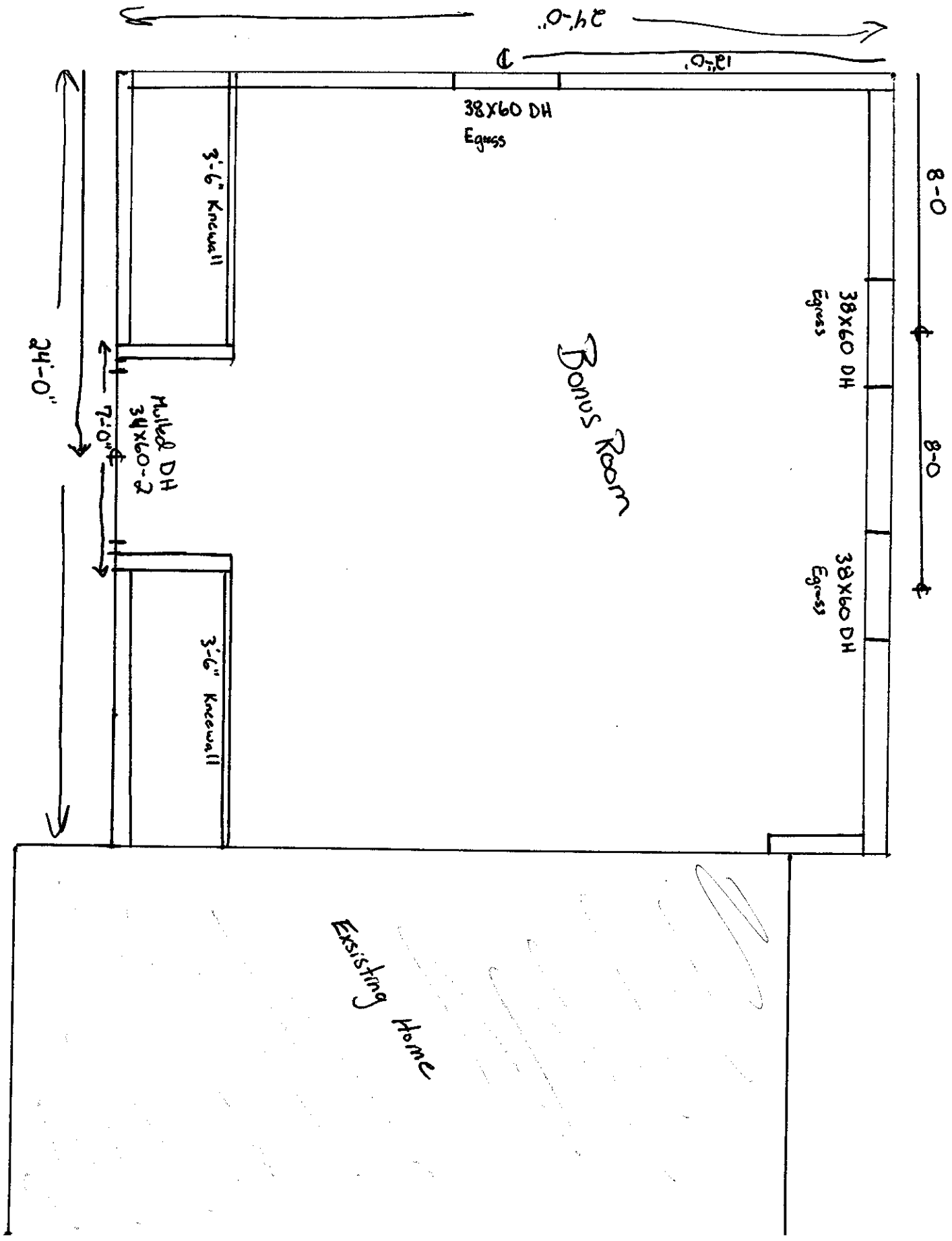


Side Elevation



24'-0"

12'-0"

38x60 DH
Egress

3'-6" Kneewall

Bonus Room

38x60 DH
Egress

8'-0"

8'-0"

Multi 2 DH
34x60-2

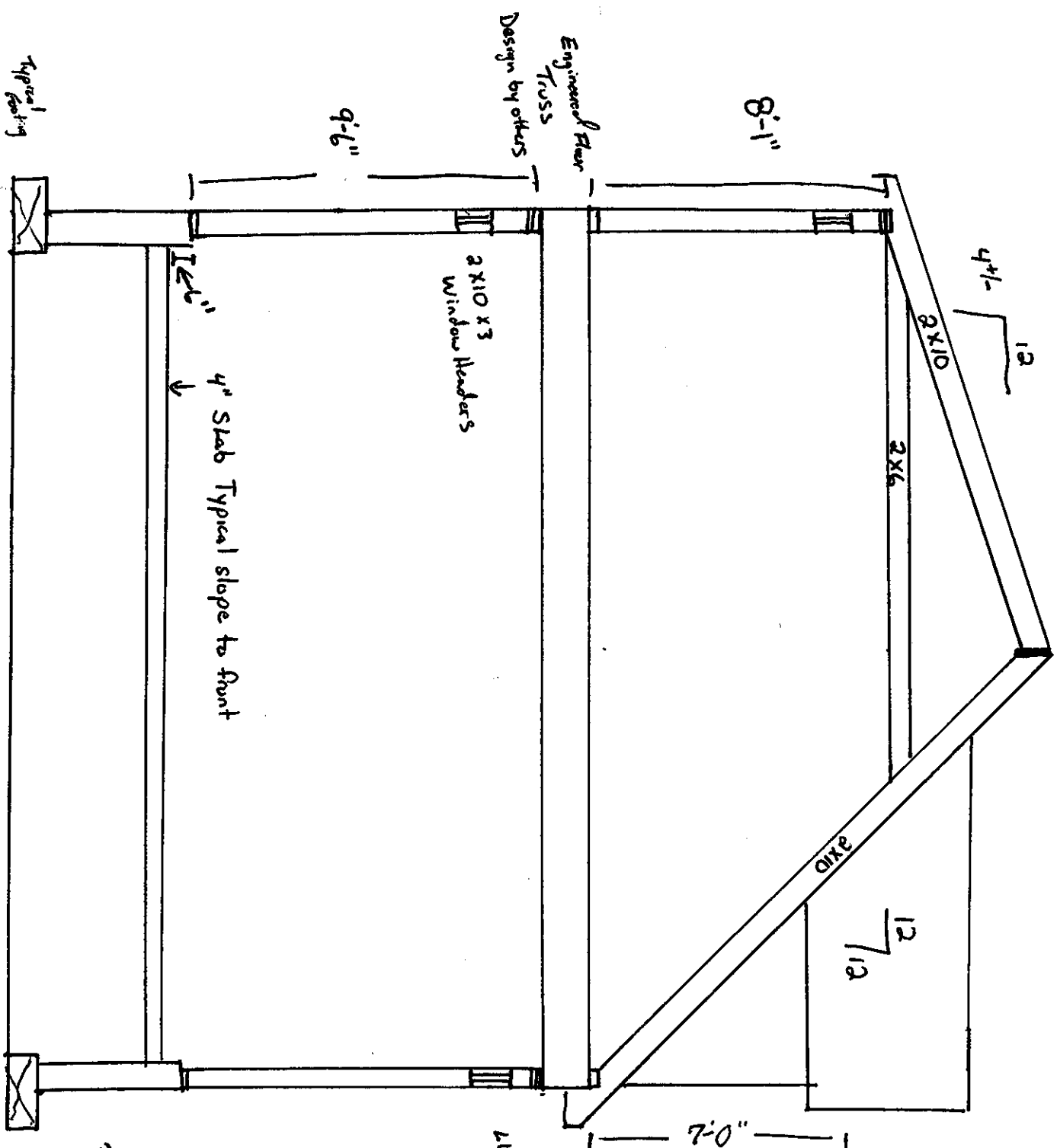
7'-0"

24'-0"

38x60 DH
Egress

3'-6" Kneewall

Existing Home



Roofing
 2x10 Rafters 2x6 Collar ties 2x12 Ridge
 5" Roof Sheathing 6" Ice/WATER /Felt/paper
 Metal Drip Edge Asphalt shingles

WALLS
 Typical 2x6 Exterior Framing
 1/2 OSB Sheathing
 Vapor barrier Upfyr/siding
 R-21 Insulation
 6 mill poly
 5/8" Drywall taped and sanded

LVL Type Door Header
 over head gages

3-10 Frost wall

Typical Roofing

Typical Roofing

Engineered Floor
 Truss
 Design by others

2x10 x 3
 Window Headers

4" Slab Typical slope to front

8'-1"

9'-6"

4:12
 12

2x6

12

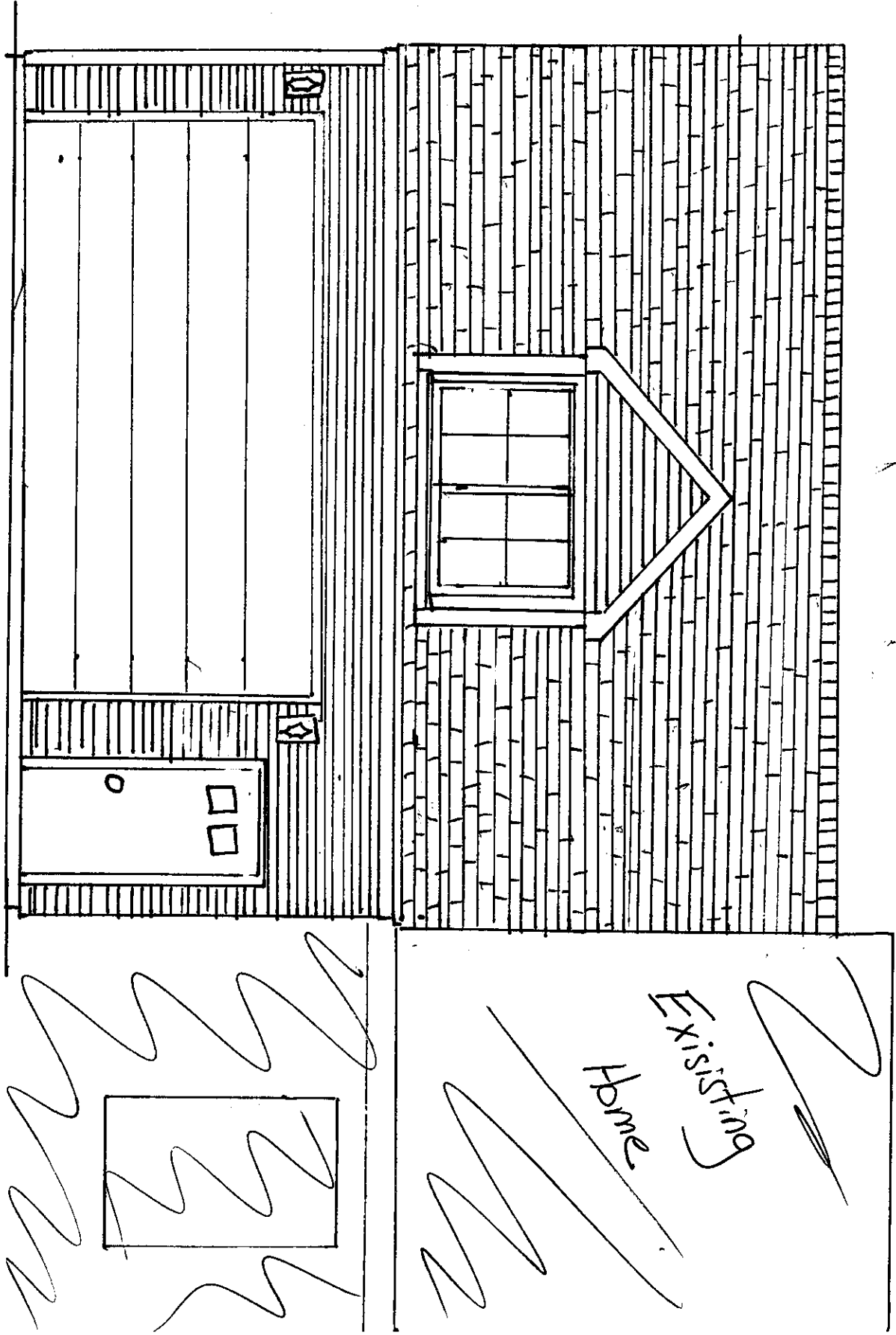
12

2x10

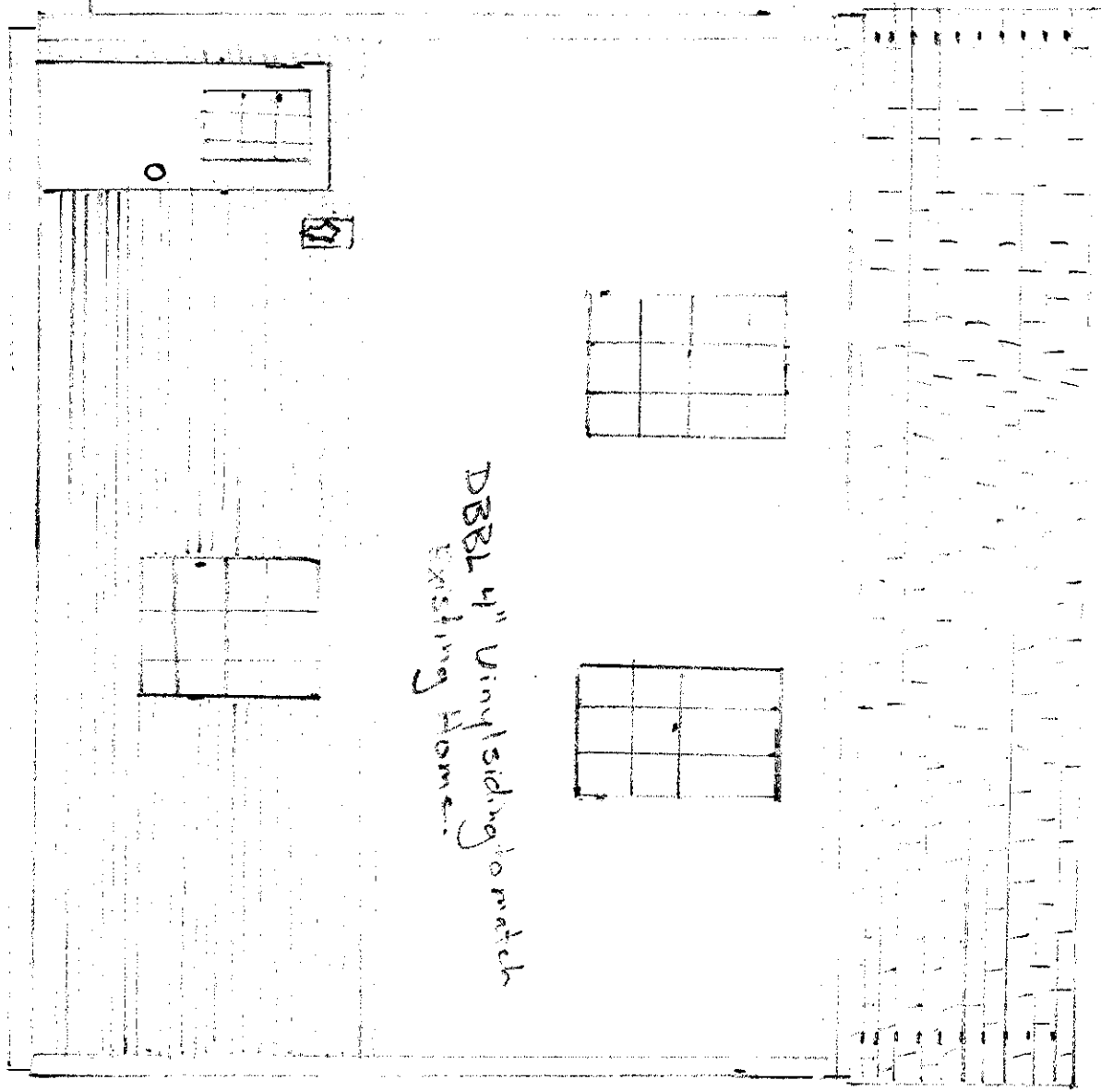
7'-0"

4"

Front Elevation



Existing Home



DBBL 4" vinyl siding to match Existing Home.

Back Elevation



1/4" = 1'-0"

