

BUILDING TYPICAL DETAILS  
 RISBARA RESIDENCE

DETAIL SHEET

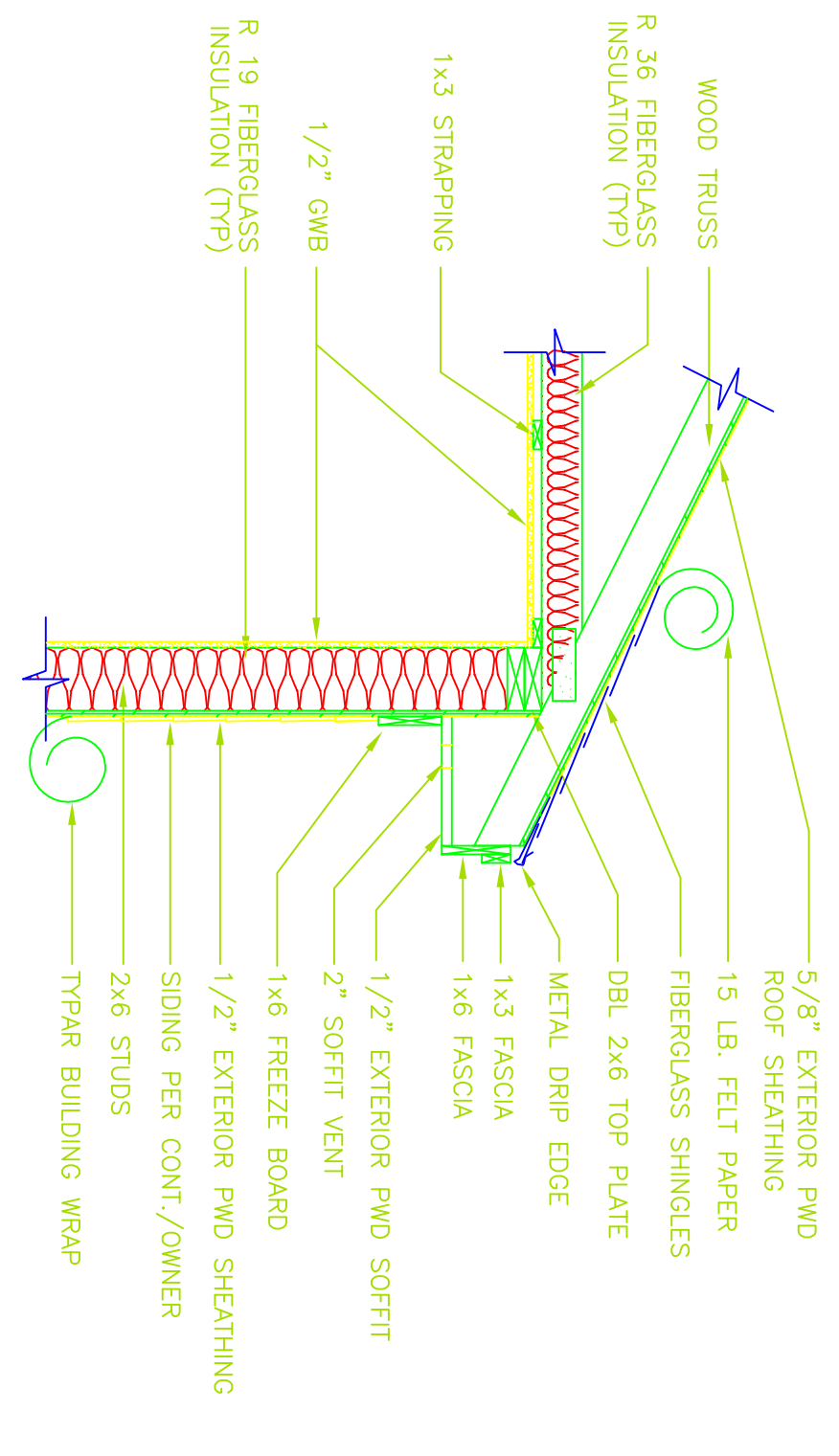
FILE:02-25-09

RISBARA REV1

SHEET: A-4

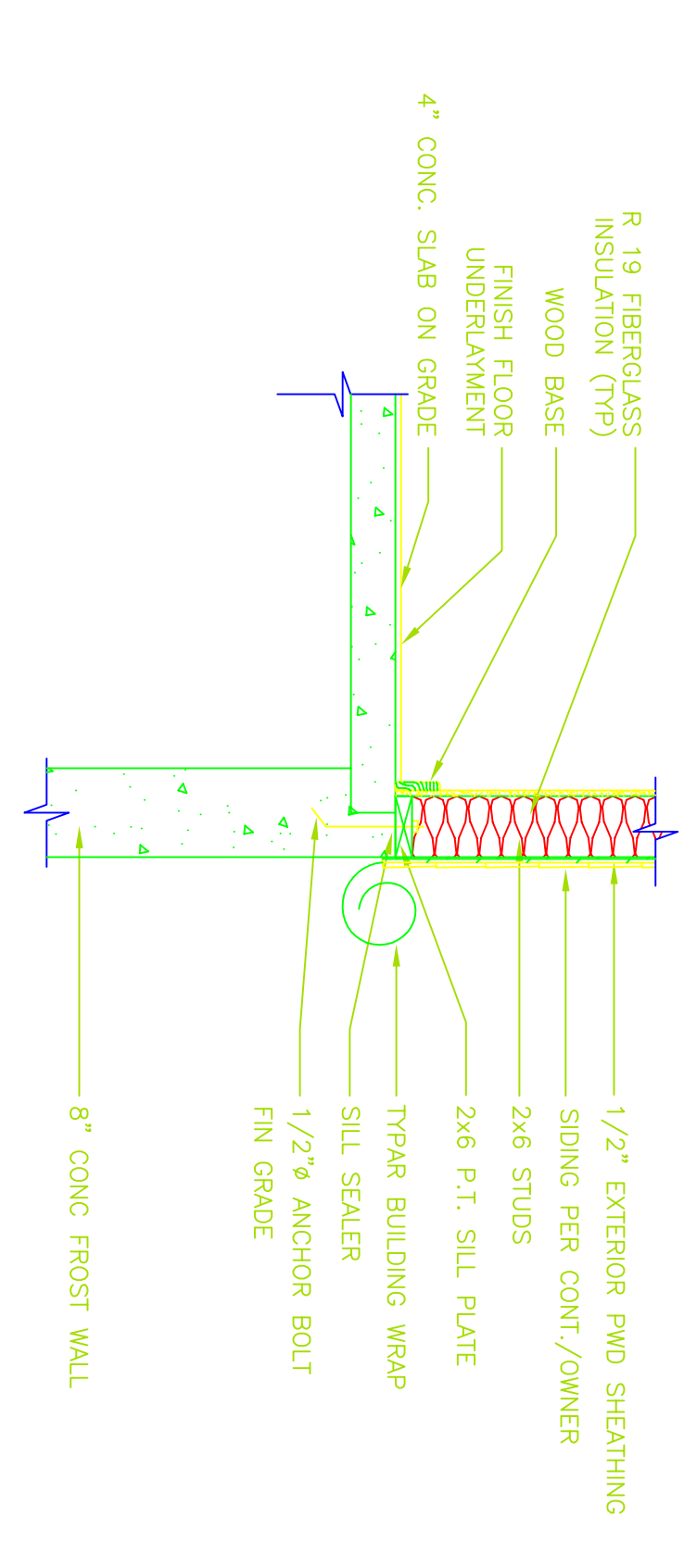
REV:	DATE:	CODE:	TOWN:	DESIGNED:	DRAWN:
1.	03-02-09		Portland	FMC	SSA
2.					

TITLE:



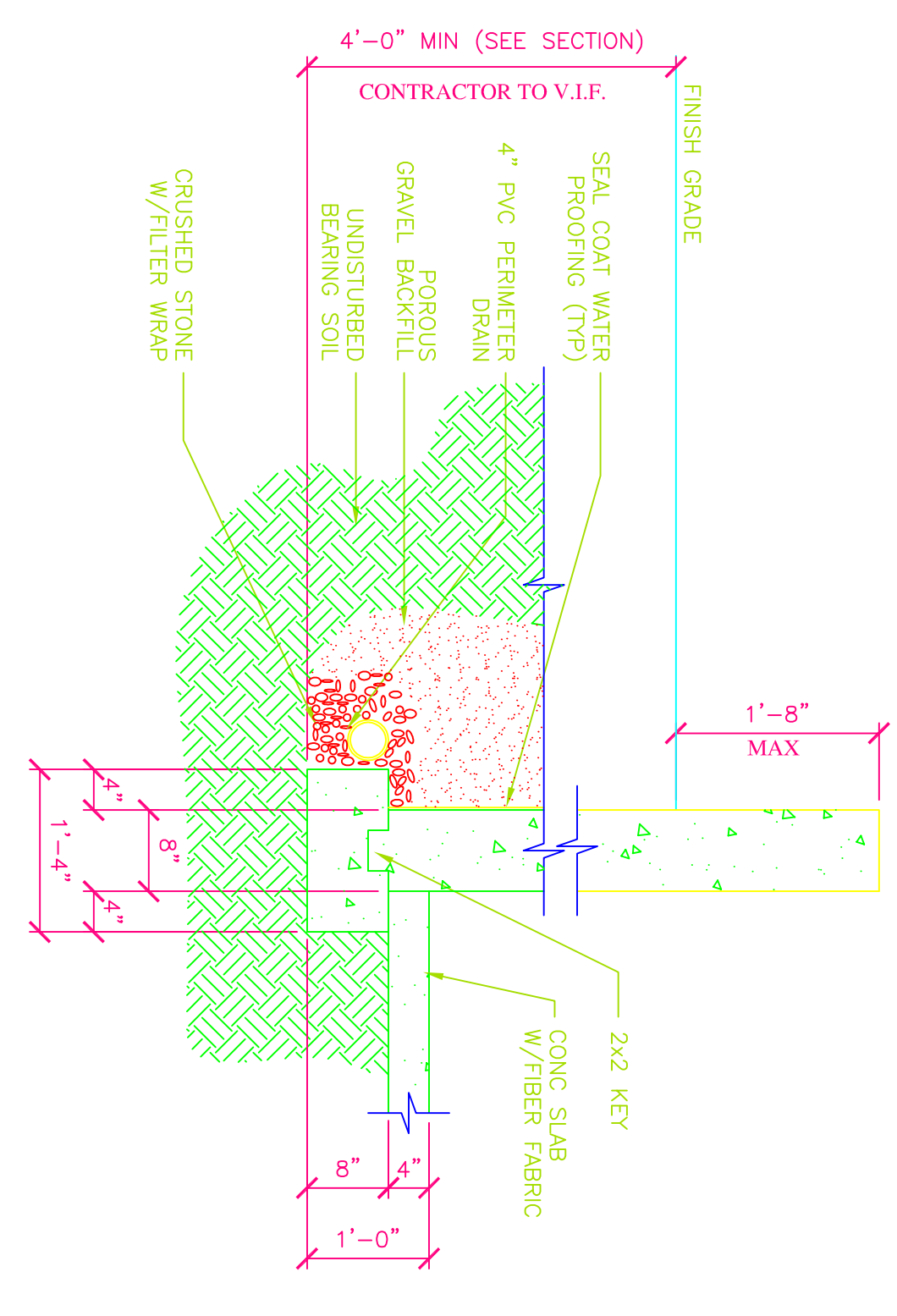
1 SOFFIT DETAIL  
 SCALE: 3/4"=1'-0"

NOTE:  
 SUBSTITUTE JOIST AND RAFTER  
 SIZES WITH PLAN CALL-OUT.



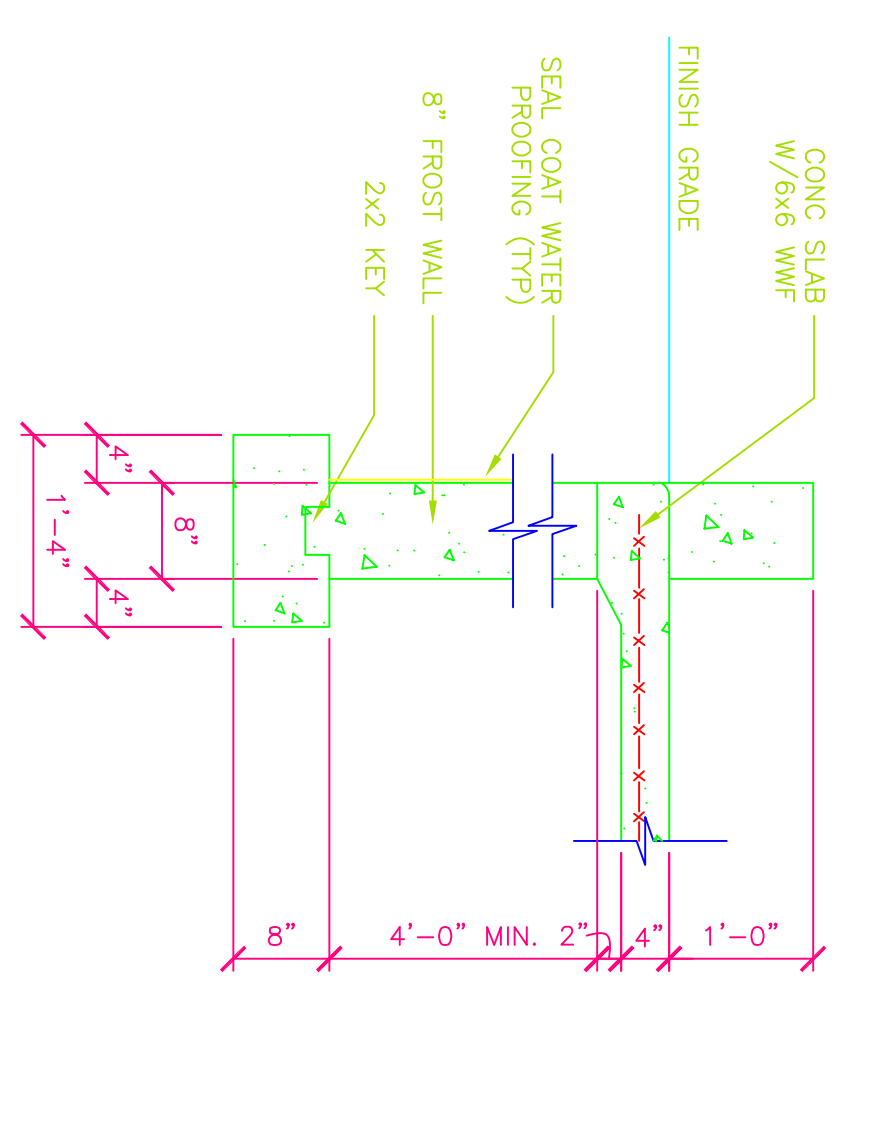
2 WALL BASE DETAIL  
 SCALE: 3/4"=1'-0"

NOTE:  
 SUBSTITUTE JOIST AND RAFTER  
 SIZES WITH PLAN CALL-OUT.



3 FOOTING DETAIL  
 SCALE: 3/4"=1'-0"

NOTE:  
 SUBSTITUTE FOOTING AND WALL  
 SIZES WITH PLAN CALL-OUT.



4 SLAB ON WALL DETAIL  
 SCALE: 3/4"=1'-0"

NOTE:  
 SUBSTITUTE FOOTING AND WALL  
 SIZES WITH PLAN CALL-OUT.

NOTE:

THIS DRAWING IS PROVIDED FOR INFORMATIONAL PURPOSES ONLY. THE CONTRACTOR SHALL VERIFY ALL DIMENSIONS AND CONDITIONS OF ALL MATERIALS, ETC. ARE PROVIDED TO OUR CLIENTS. THE CONTRACTOR SHALL ASSUME ALL RESPONSIBILITY FOR LOCAL CODE COMPLIANCE. THE CONTRACTOR SHALL ASSUME ALL RESPONSIBILITY FOR THE DESIGN OF ALL STRUCTURAL ELEMENTS. THIS DRAWING IS NOT TO BE USED FOR CONSTRUCTION OF ANY STRUCTURE WITHOUT THE WRITTEN CONSENT OF FMC CADD. DIMENSIONS AND SPECIFICATIONS SHOULD BE VERIFIED BEFORE CONSTRUCTION. DIMENSIONS AND SPECIFICATIONS ARE NOT VERIFIED BY FMC CADD. DIMENSIONS AND SPECIFICATIONS ARE NOT VERIFIED BY FMC CADD. DIMENSIONS AND SPECIFICATIONS ARE NOT VERIFIED BY FMC CADD. DIMENSIONS AND SPECIFICATIONS ARE NOT VERIFIED BY FMC CADD.