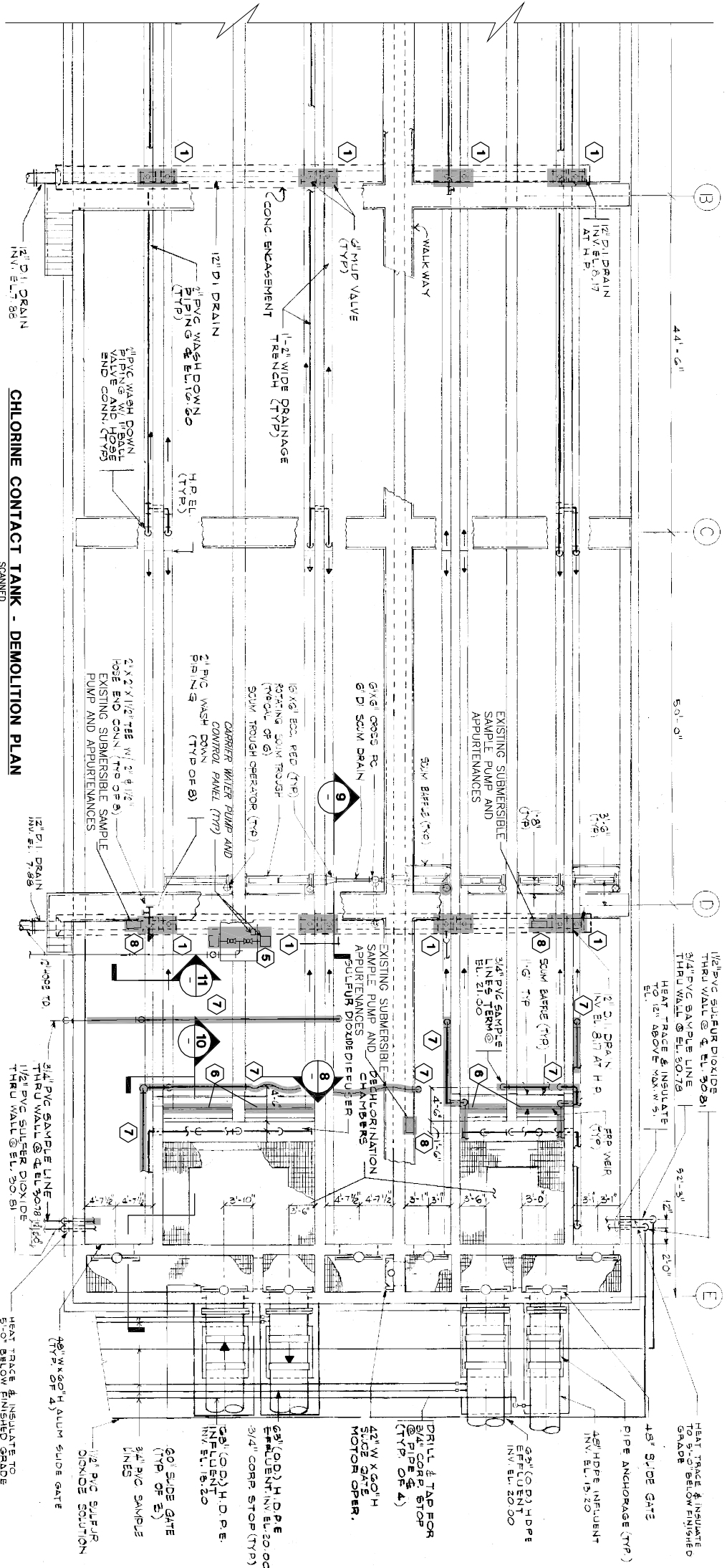
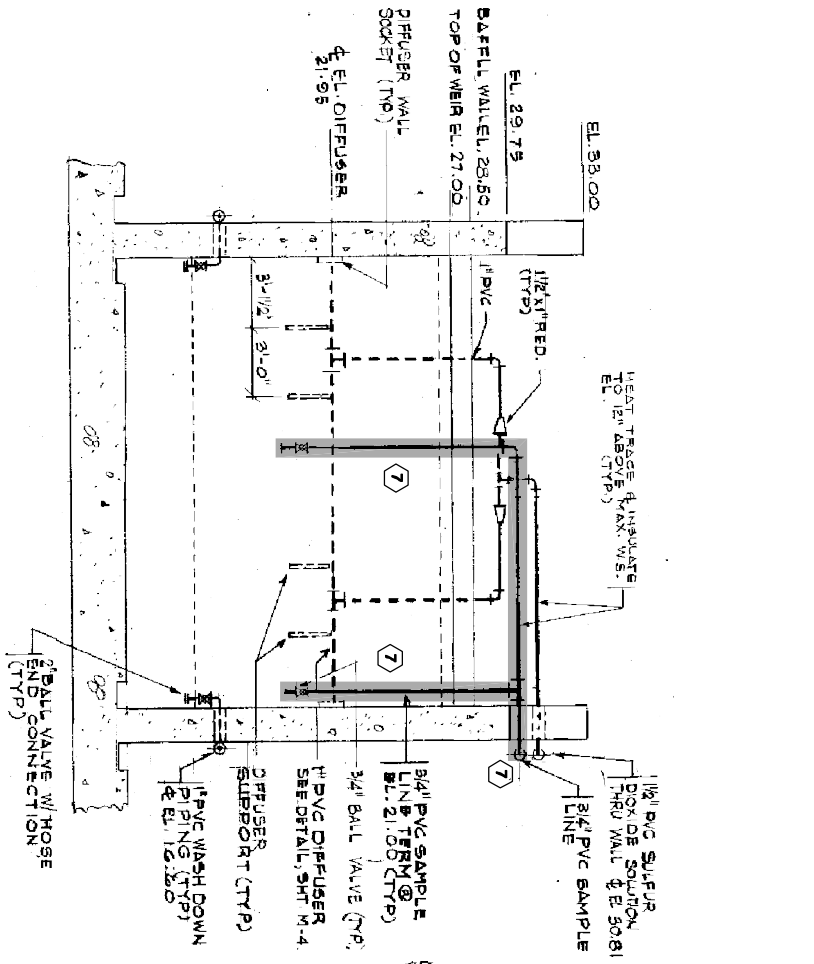


DEMOLITION NOTES

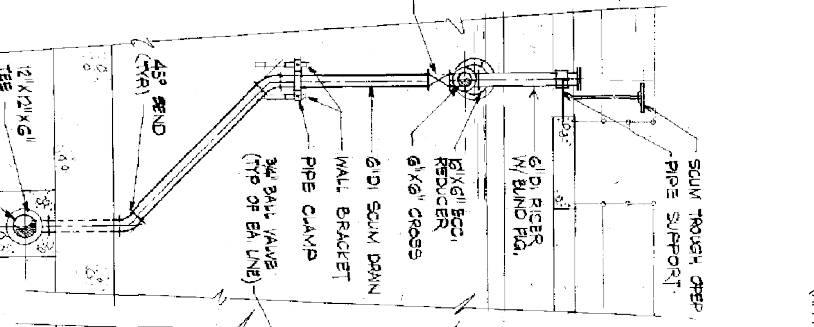
- 1 REFER TO DRAWING PR-1 FOR GENERAL DEMOLITION NOTES.
- 2 REMOVE/ DEMOLISH EXISTING MUD VALVES, EXTENSION STEMS, OPERATORS AND ALL ASSOCIATED APPURTENANCES IN THEIR ENTIRETY (TYP OF 16).
- 3 NOT USED
- 4 NOT USED
- 5 REMOVE EXISTING CARRIER WATER PUMPS, CONTROL PANEL AND ALL OTHER ASSOCIATED APPURTENANCES. CONTRACTOR TO NOTE OWNER TO REMAIN PUMPS.
- 6 REMOVE/ DEMOLISH EXISTING FRP WEIRS.
- 7 REMOVE/ DEMOLISH ALL EXISTING SAMPLE PIPING WITHIN THE COT, INCLUDING VALVES, FITTINGS, TUBING, INSULATION, SUPPORTS.
- 8 REMOVE/ DEMOLISH SAMPLE PUMPS AND ALL ASSOCIATED APPURTENANCES.



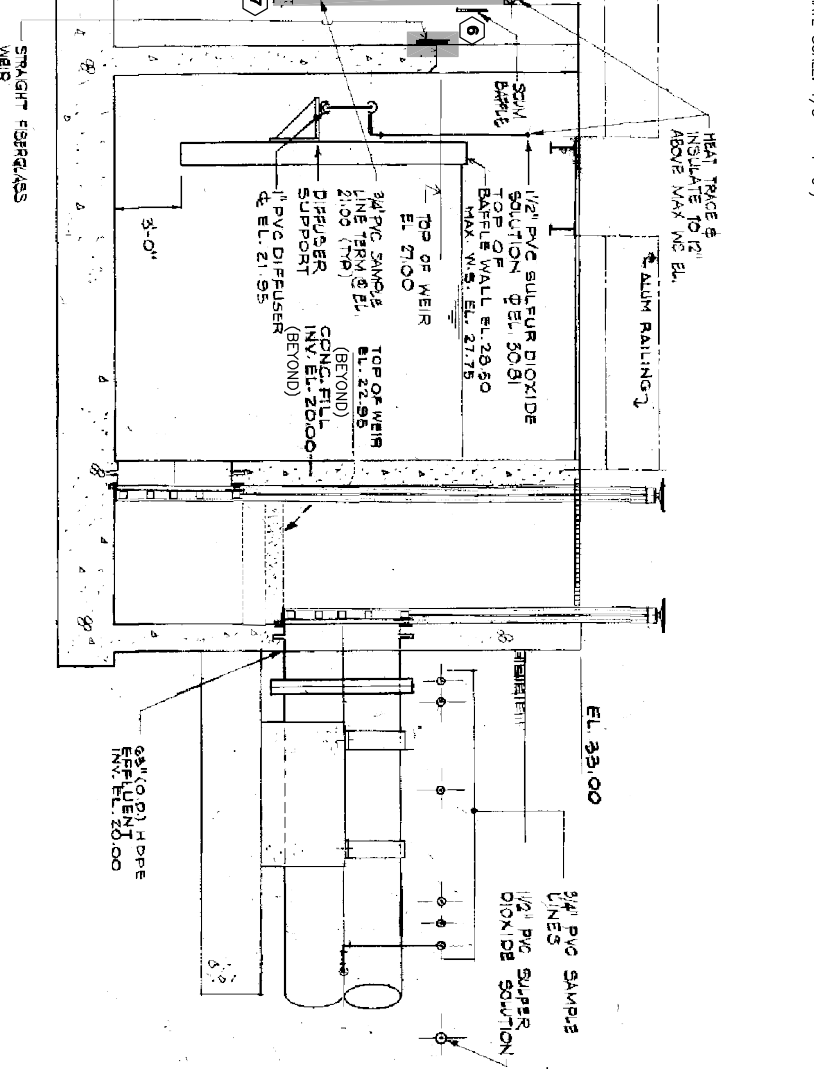
CHLORINE CONTACT TANK - DEMOLITION PLAN
 SCALE: SCANNED
 (APPROXIMATE SCALE: 1/8" = 1'-0")



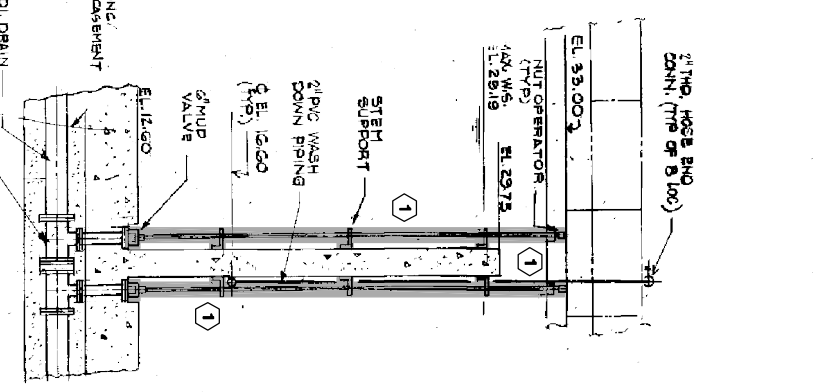
SECTION 8
 SCALE: SCANNED
 (APPROXIMATE SCALE: 1/8" = 1'-0")



SECTION 9
 SCALE: SCANNED
 (APPROXIMATE SCALE: 1/8" = 1'-0")



SECTION 10
 SCALE: SCANNED
 (APPROXIMATE SCALE: 1/8" = 1'-0")



SECTION 11
 SCALE: SCANNED
 (APPROXIMATE SCALE: 1/8" = 1'-0")



DRAWN BY SAL
 CHECKED BY DWS/PFB
 DATE 2-18-05
 APPROVED BY PFB
 DATE 2-18-05
 BOOK NO. -
 PROJECT NO. 10301C
 SCALE AS NOTED

| NO | REVISIONS | APP'D | DATE | PROGRESS PRINTS |
|----|-----------|-------|------|-----------------------------|
| 1 | | | | ISSUED FOR REVIEW: 12-15-04 |
| 2 | | | | ISSUED FOR BIDDING: 2-18-05 |
| 3 | | | | WALT LOCKON: FF 58 |
| 4 | | | | JUST WORKED ON: |
| 5 | | | | FILENAME: |