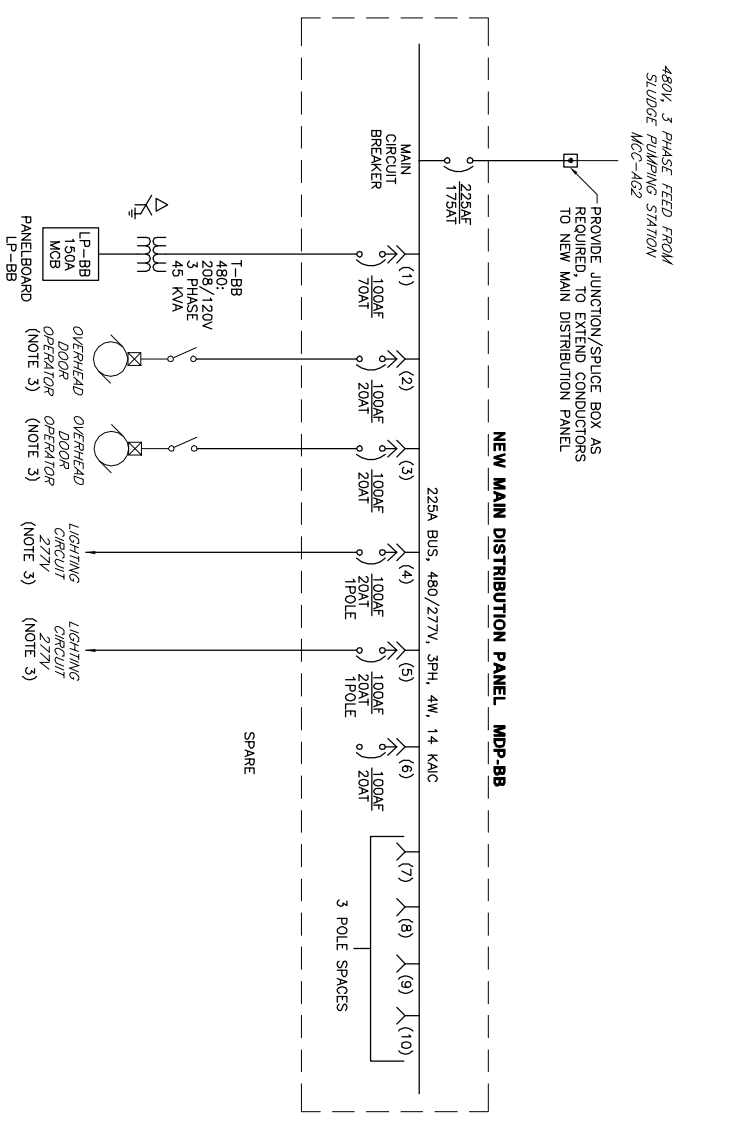


**SINGLE LINE DIAGRAM - DEMOLITION BISULFITE BUILDING (FORMER CHLORINATION BUILDING)**  
NTS



**SINGLE LINE DIAGRAM - MODIFICATION BISULFITE BUILDING**  
NTS

- NOTES:**
1. INFORMATION CONTAINED IN SINGLE LINE DIAGRAMS AND SCHEDULES HAS BEEN OBTAINED IN PART FROM EXISTING PLANT ELECTRICAL DRAWINGS. THE CONTRACTOR SHALL FIELD VERIFY ALL INFORMATION AFFECTING HIS WORK BEFORE COMMENCING THE WORK.
  2. EQUIPMENT DENOTED WITH SHADING SHALL BE DISCONNECTED AND REMOVED, ALONG WITH ASSOCIATED CONDUIT AND WIRING.
  3. EXISTING EQUIPMENT REFERRED TO THIS NOTE SHALL BE REFERRED FROM NEW MAIN DISTRIBUTION PANEL AS INDICATED ON MODIFICATION SINGLE LINE DIAGRAM.

**NEW PANELBOARD LP-BB**

CKT. NO.	AMPS	POLES	DESCRIPTION	PHASE LOAD (VA)			NO. POLES	AMPS	CKT. NO.
				A	B	C			
1	20	1	ENERGIZER EYE WASH	<	500	<	1	20	2
3	20	1	RECEPTACLES	<	400	<	1	20	4
5	20	1	RECEPTACLES AND LIGHTS	<	400	<	1	20	6
7	20	1	RECEPTACLES	<	500	<	1	20	8
9	20	1	EXHAUST FAN ELECTRICAL ROOM	<	1400	<	1	20	10
11	20	1	UNKNOWN (OLD CKT #18)	<	700	<	1	20	12
13	20	1	RELOCATED TRUCK SCALE	<	900	<	1	20	14
15	20	1	RELOCATED TRUCK SCALE HEATER	<	700	<	1	20	16
17	20	1	BOILER AND CONTROLS	<	600	<	1	20	18
19	30	1	CIRCULATING PUMP CP-1	<	1700	<	1	20	20
21	30	1	CIRCULATING PUMP CP-2	<	400	<	1	20	22
23	20	1	SPARE	<	1700	<	1	20	24
25	20	1	SPARE	<	300	<	1	20	26
27	20	1	SPARE	<	300	<	1	20	28
29	20	1	SPARE	<	<	<	1	20	30
31	20	1	SPARE	<	<	<	1	20	32
33	20	1	SPARE	<	<	<	1	20	34
35	20	1	SPARE	<	<	<	1	20	36
37	20	1	SPARE	<	<	<	1	20	38
39	20	1	SPARE	<	<	<	1	20	40
41	20	1	SPARE	<	<	<	1	20	42
SUB-TOTAL				<	<	<	1	<	<
ESTIMATED DEMAND LOAD				<	<	<	<	<	<
DEMAND LINE CURRENT				<	<	<	<	<	<

**LIGHTING FIXTURE SCHEDULE:**

CODE	LIGHT SOURCE		MOUNTING	MANUFACTURER	CATALOG NO.	VOLTS	DESCRIPTION
	TYPE	LAMPING					
D	FLUORESCENT	(2)F32T8	CEILING SURFACE, OR PENDANT, WHERE NOTED ON DRAWINGS	COOPER-METALUX -WL	V72-232DR-120-EB81	120	4 FT. ENCL. & POLYURETHANE GASKETED FLUORESCENT WET LOCATION, ELECTRONIC BALLAST

<p>PORTLAND WATER DISTRICT PORTLAND, MAINE EAST END WWTF DISINFECTION AND DECHLORINATION SYSTEMS UPGRADE SINGLE LINE DIAGRAMS AND SCHEDULES BISULFITE BUILDING</p>	<p><b>Wright-Pierce</b> Offices throughout New England www.wright-pierce.com</p>	<p>DRAWN BY SJM CHECKED BY DWL/PFB DATE 2-18-05 APPROVED BY DWL/PFB DATE 2-18-05 BOOK NO. - PROJECT NO. 10301C SCALE AS NOTED</p>	<p>NO. REVISIONS</p>	<p>APP'D DATE</p>	<p>PROGRESS PRINTS ISSUED FOR REVIEW: 12-15-04 ISSUED FOR BIDDING: 2-18-05 MULTI LOCATION: FF 58 LAST WORKED ON: FILENAME:</p>
		<p>DWG E-3 27 OF 33</p>			