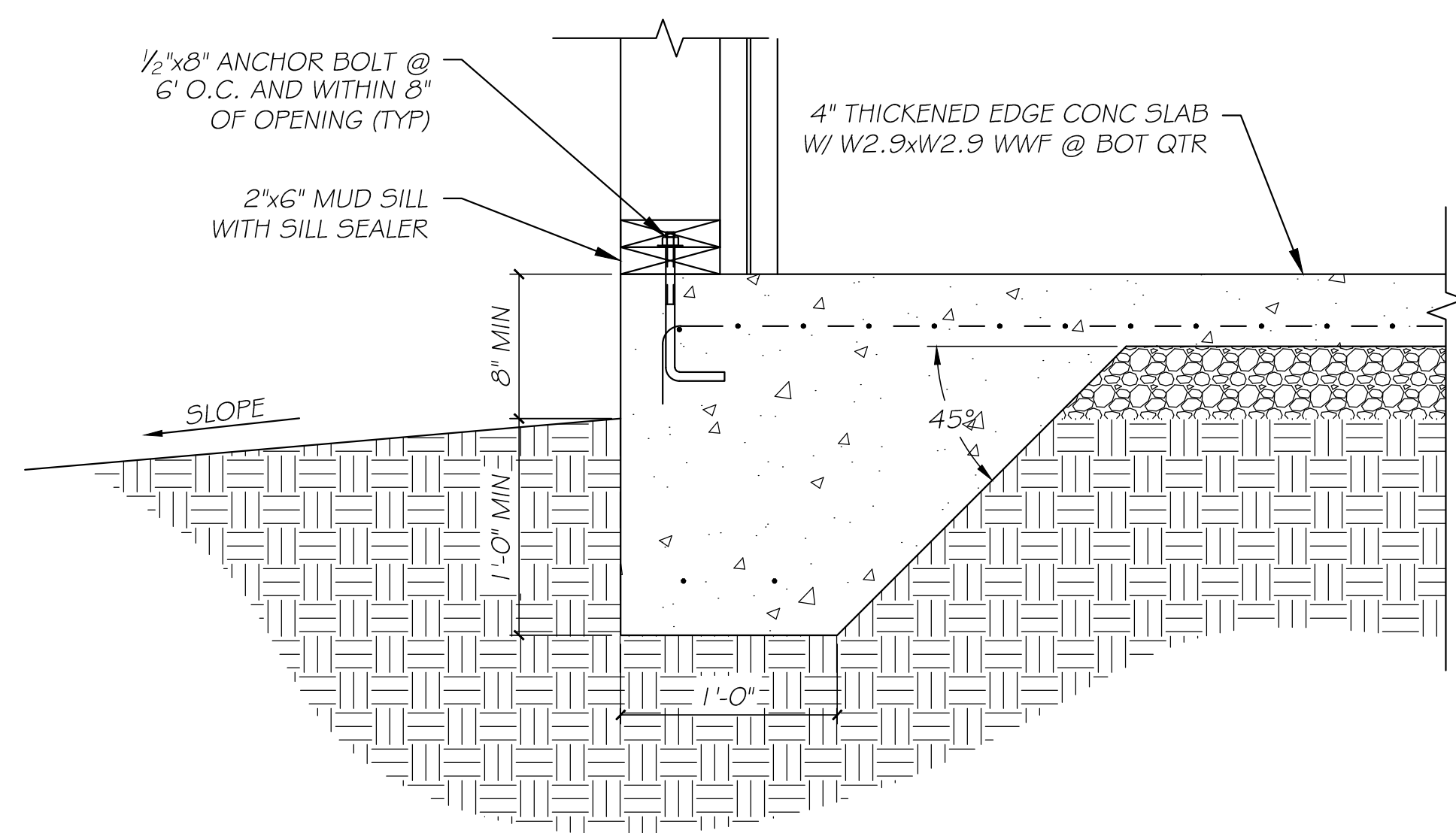
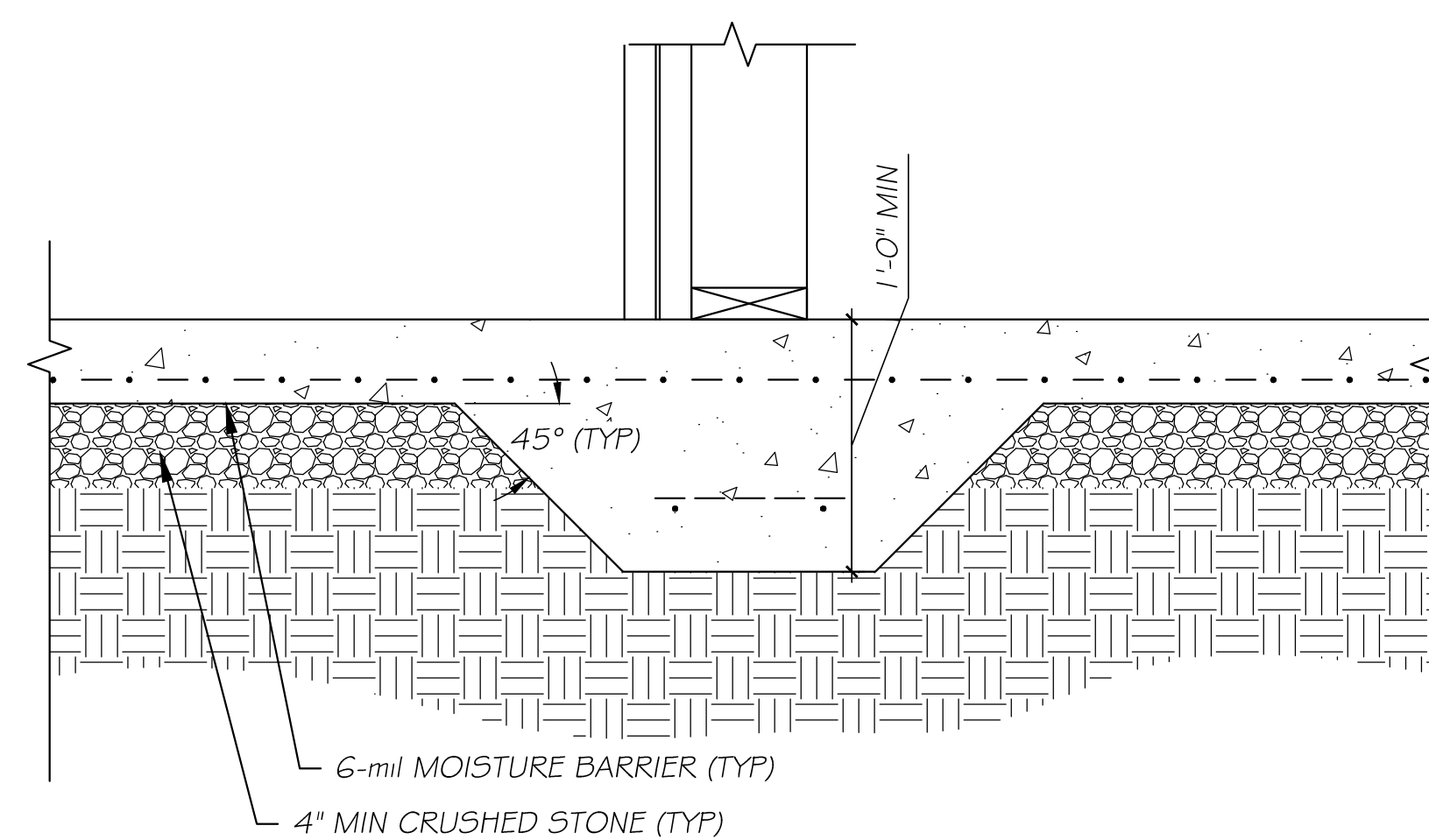


FOUNDATION PLAN

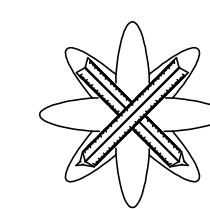
SCALE: 1/4" = 1'-0"



SECTION 1  
Scale: 1 1/2" = 1'-0"



SECTION 2  
Scale: 1 1/2" = 1'-0"



COUTURE DESIGNS <small>ALL BUILDERS/CONTRACTORS MUST VERIFY TYPES, SIZES, AND LOCATIONS OF MATERIALS SHOWN FOR ACCURACY, INTENT AND COMPLIANCE WITH APPLICABLE CODES AND OWNER ACCEPTANCE.</small>	TITLE: FOUNDATION PLAN & SECTIONS		DATE: 4-22-14	SHEET NO. 3
	DRAWN BY: A. COUTURE FOR: FRANK TORDERICO	SCALE: VARIES LOCATION: 85 WALL ST. PORTLAND, MAINE	4	