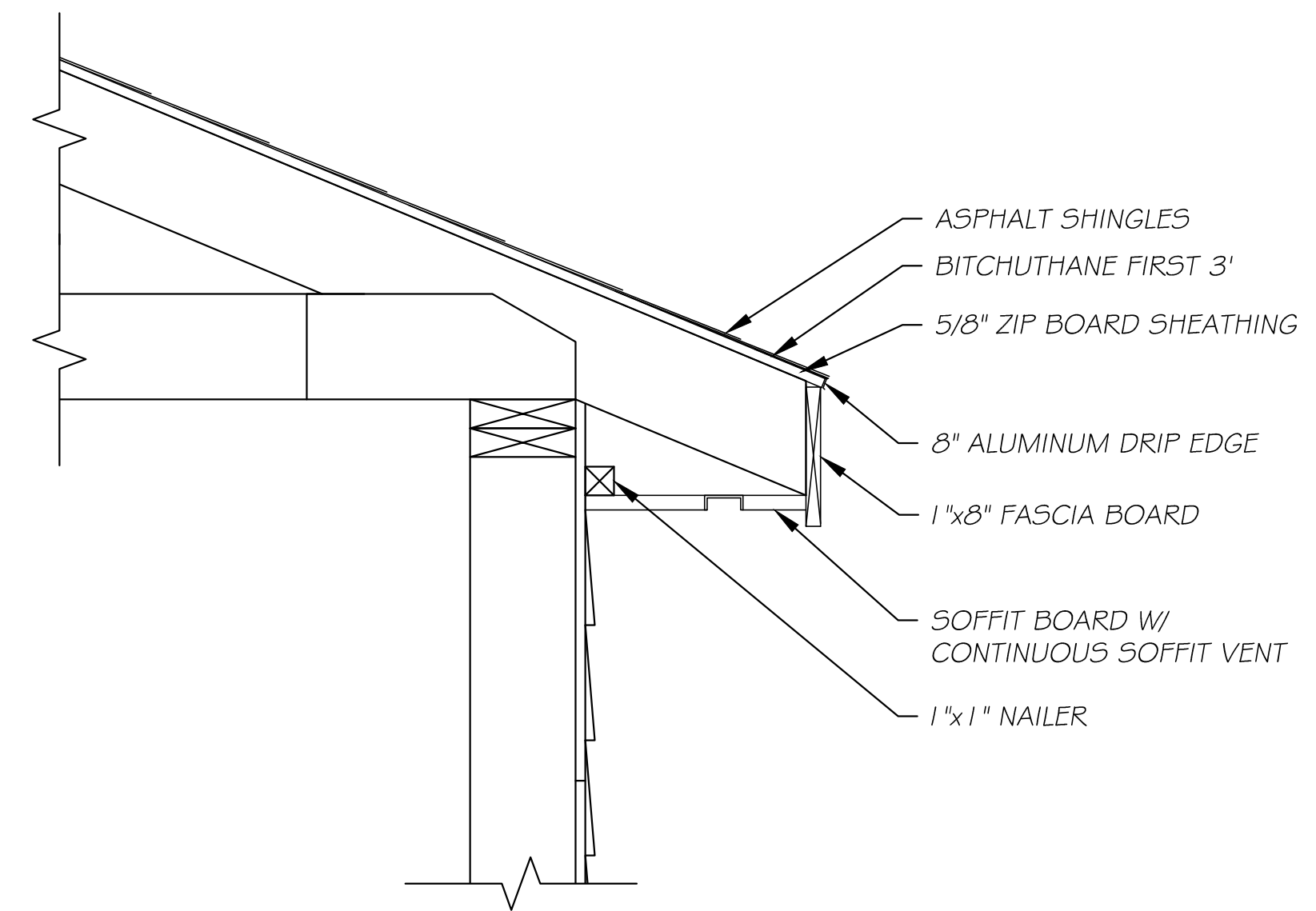
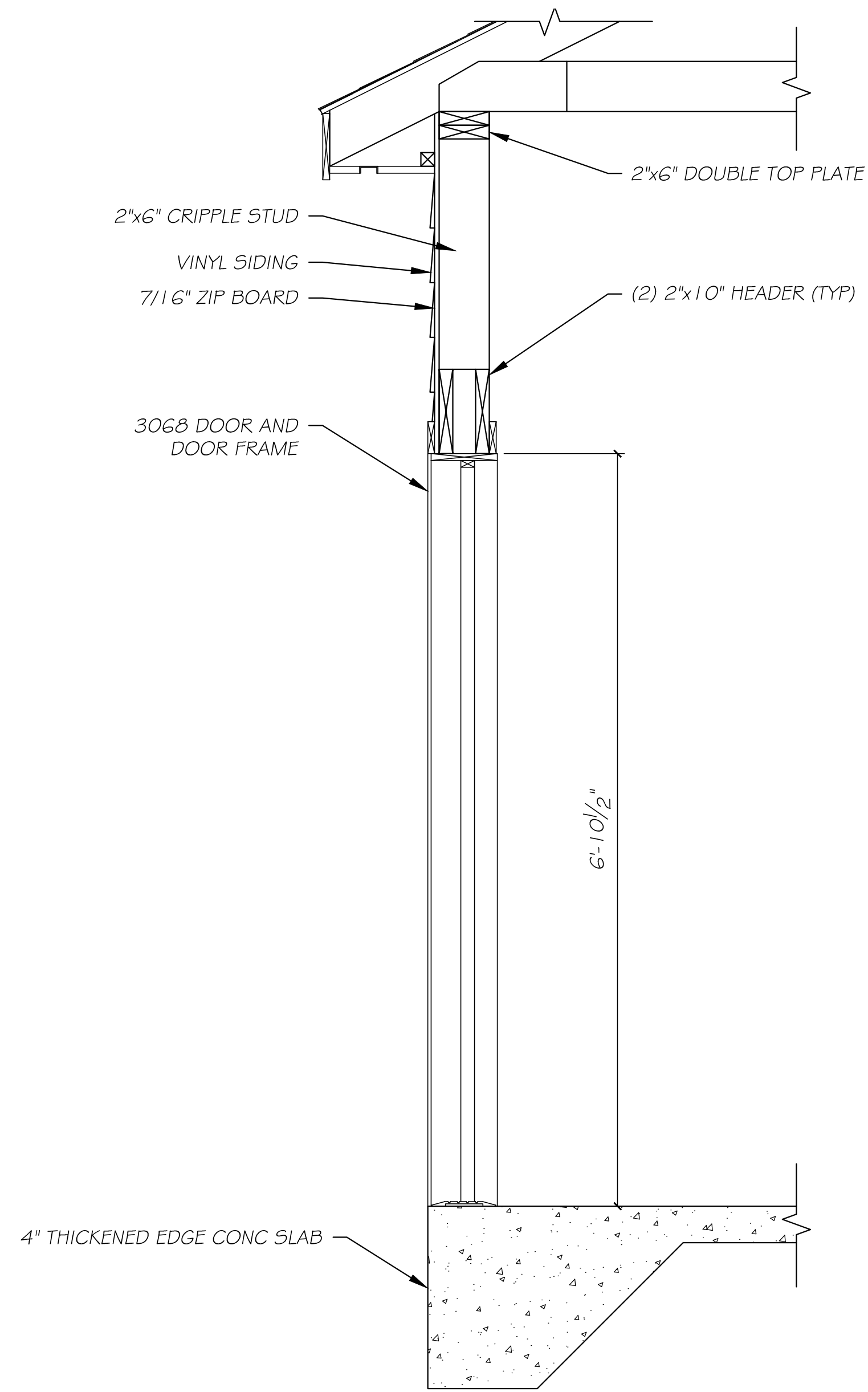


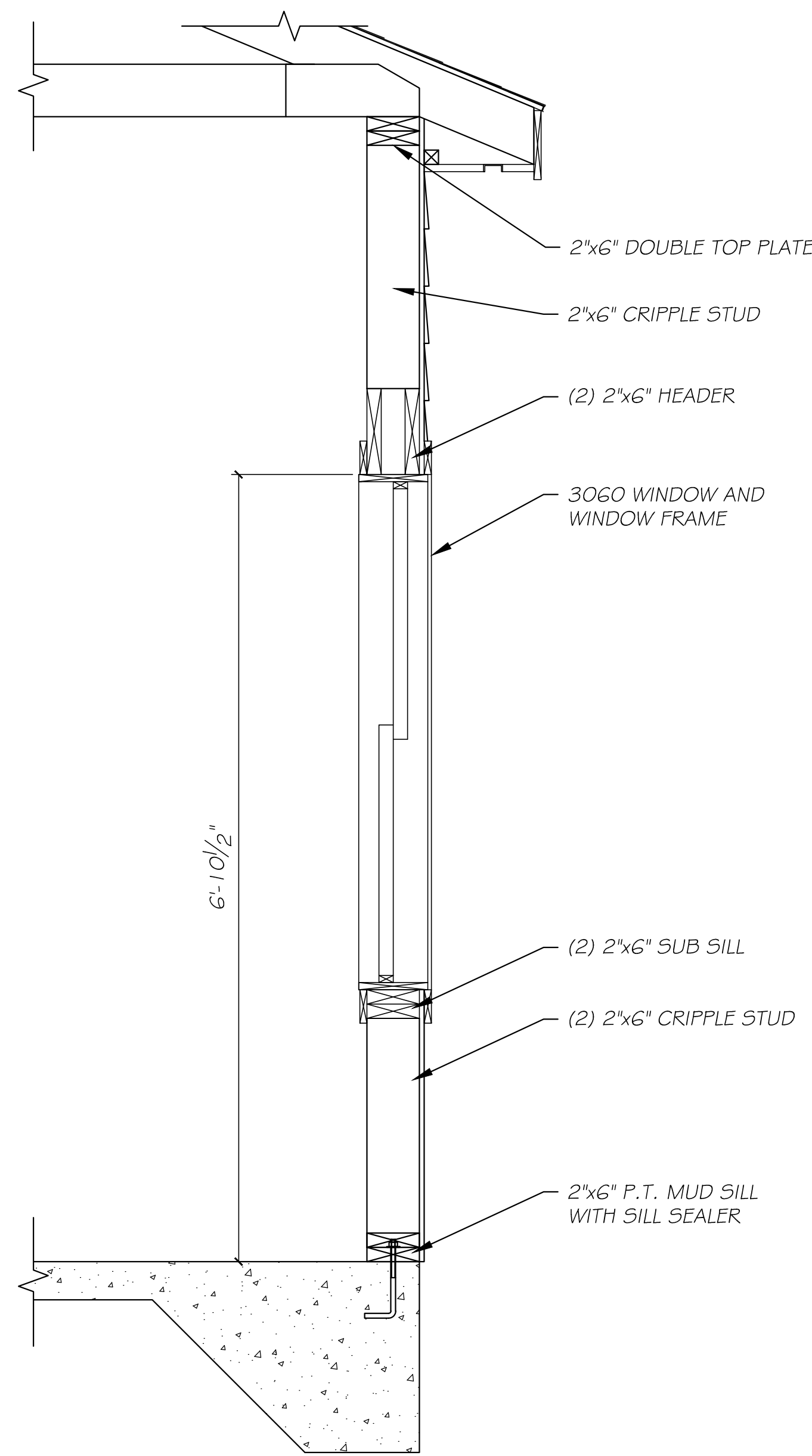
1 SECTION
Scale: 1/4"=1'-0"



FACIA AND EAVE DETAIL
SCALE: 1 1/2"=1'-0"



2 SECTION
Scale: 1"=1'-0"



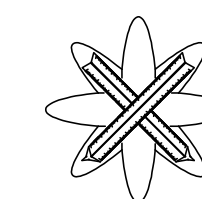
3 SECTION
Scale: 1"=1'-0"

WINDOW SCHEDULE				
MARK	COUNT	FAMILY	WIDTH	HEIGHT
A	3	DOUBLE HUNG W/ TRIM	3'-0"	5'-0"

DOOR SCHEDULE				
MARK	COUNT	FAMILY	WIDTH	HEIGHT
1	2	SINGLE PANEL EXTERIOR	3'-0"	6'-8"
2	2	SINGLE FLUSH FIRE RATED	3'-0"	6'-8"
3	2	GARAGE DOOR	10'-0"	9'-0"

NOTES:

- ROOF CONSTRUCTION CONSIST OF:
40 YEAR ARCH. ASPHALT SHINGLES
5/8" ZIP BOARD SHEATHING
FINK (W) TRUSS @ 24" O.C.



COUTURE DESIGNS	TITLE: EXTERIOR ELEVATIONS	DATE: 4-22-14	SHEET NO. 4
ALL BUILDERS/CONTRACTORS MUST VERIFY TYPES, SIZES, AND LOCATIONS OF MATERIALS SHOWN FOR ACCURACY, INTENT AND COMPLIANCE WITH APPLICABLE CODES AND OWNER ACCEPTANCE.	DRAWN BY: A. COUTURE FOR: FRANK TODERICO	SCALE: VARIES LOCATION: 85 WALL ST. PORTLAND, MAINE	4