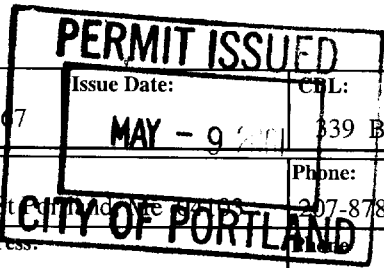


**City of Portland, Maine - Building or Use Permit Application**

389 Congress Street, 04101 Tel: (207) 874-8703, Fax: (207) 874-8716

Permit No: 01-0407	Issue Date: <b>MAY - 9 2001</b>	CDL: 339 B001001
-----------------------	------------------------------------	---------------------



<b>Location of Construction:</b> 125 Newton St	<b>Owner Name:</b> Desantis Marcus A &	<b>Owner Address:</b> 125 Newton St City of Portland, ME 04101	<b>Phone:</b> 207-878-7454
<b>Business Name:</b> n/a	<b>Contractor Name:</b> no contractor/self	<b>Contractor Address:</b> n/a n/a	<b>Phone:</b> 2078787454
<b>Lessee/Buyer's Name:</b> n/a	<b>Phone:</b> n/a	<b>Permit Type:</b> Additions - Dwellings	<b>Zone:</b> R-3

<b>Past Use:</b> Single Family	<b>Proposed Use:</b> Single Family / 8' x 8' deck w/ hot tub placed squarly on top.	<b>Permit Fee:</b> \$30.00	<b>Cost of Work:</b> \$400.00	<b>CEO District:</b> 1
-----------------------------------	--	-------------------------------	----------------------------------	---------------------------

<b>Proposed Project Description:</b> Build 8' x 8' deck	<b>FIRE DEPT:</b> <input type="checkbox"/> Approved <input type="checkbox"/> Denied	<b>INSPECTION:</b> Use Group: R-3 Type: 5B 0008/30/1997 WITH REVISIONS
--	---	---

<b>Signature:</b>	<b>Signature:</b>
<b>PEDESTRIAN ACTIVITIES DISTRICT (P.A.D.)</b>	
<b>Action:</b> <input type="checkbox"/> Approved <input type="checkbox"/> Approved w/Conditions <input type="checkbox"/> Denied	<b>Date:</b>

<b>Permit Taken By:</b> gg	<b>Date Applied For:</b> 05/04/2001	<b>Zoning Approval</b>	
-------------------------------	--	------------------------	--

<p>1. This permit application does not preclude the Applicant(s) from meeting applicable State and Federal Rules.</p> <p>2. Building permits do not include plumbing, septic or electrical work.</p> <p>3. Building permits are void if work is not started within six (6) months of the date of issuance. False information may invalidate a building permit and stop all work..</p>	<p><b>Special Zone or Reviews</b></p> <input type="checkbox"/> Shoreland <input type="checkbox"/> Wetland <input type="checkbox"/> Flood Zone <input type="checkbox"/> Subdivision <input type="checkbox"/> Site Plan Maj <input type="checkbox"/> Minor <input type="checkbox"/> MM <input type="checkbox"/> Date: <i>OK STOP</i>	<p><b>Zoning Appeal</b></p> <input type="checkbox"/> Variance <input type="checkbox"/> Miscellaneous <input type="checkbox"/> Conditional Use <input type="checkbox"/> Interpretation <input type="checkbox"/> Approved <input type="checkbox"/> Denied Date:	<p><b>Historic Preservation</b></p> <input checked="" type="checkbox"/> Not in District or Landmark <input type="checkbox"/> Does Not Require Review <input type="checkbox"/> Requires Review <input type="checkbox"/> Approved <input type="checkbox"/> Approved w/Conditions <input type="checkbox"/> Denied Date:
---	--	---	--

**PERMIT ISSUED WITH REQUIREMENTS**

**CERTIFICATION**

I hereby certify that I am the owner of record of the named property, or that the proposed work is authorized by the owner of record and that I have been authorized by the owner to make this application as his authorized agent and I agree to conform to all applicable laws of this jurisdiction. In addition, if a permit for work described in the application is issued, I certify that the code official's authorized representative shall have the authority to enter all areas covered by such permit at any reasonable hour to enforce the provision of the code(s) applicable to such permit.

SIGNATURE OF APPLICANT	ADDRESS	DATE	PHONE
RESPONSIBLE PERSON IN CHARGE OF WORK, TITLE		DATE	PHONE

THIS IS NOT A PERMIT/CONSTRUCTION CANNOT COMMENCE UNTIL THE PERMIT IS ISSUED

## All Purpose Building Permit Application

If you or the property owner owes real estate or personal property taxes or user charges on any property within the City, payment arrangements must be made before permits of any kind are accepted.

Location/Address of Construction: 125 NEWTON ST. PORTLAND, ME 04103

Total Square Footage of Proposed Structure: 64  
Square Footage of Lot: ~~7205~~ 7920

Tax Assessor's Chart, Block & Lot Number: Chart# 339 Block# B Lot# 001  
Owner: MARCUS A. DESANCTIS  
ERIN M. DESANCTIS  
Telephone#: 878-7454

Lessee/Buyer's Name (If Applicable):  
Owner's/Purchaser/Lessee Address:  
Cost Of Work: \$ 400  
Fee: \$ 30.00

Current use: LAWN / SF  
If the location is currently vacant, what was prior use: LAWN  
Approximately how long has it been vacant: SINCE WE PURCHASED HOME 4 YEARS AGO  
Proposed use: HOT TUB SUB-DECK  
Project description: 8' x 8' DECK w/ HOT TUB PLACED SQUARELY ON TOP

Contractor's Name, Address & Telephone:  
MARCUS DESANCTIS (HOME OWNER)  
Applicants Name, Address & Telephone:  
MARCUS A. DESANCTIS 125 NEWTON ST. PORTLAND 878-7454  
Who should we contact when the permit is ready: ABOVE  
Telephone: 878-7454 (CALL ~~XX~~ W: 885 0194)  
If you would like the permit mailed, what mailing address should we use:  
MAY - 2 2001  
Rec'd By: [Signature] 5/2/01

**THIS IS NOT A PERMIT/CONSTRUCTION CANNOT COMMENCE UNTIL THE PERMIT IS ISSUED**

**PLOT PLAN INCLUDES THE FOLLOWING:**

- The shape and dimension of the lot, all existing buildings (if any), the proposed structure and the distance from the actual property lines. Structures include decks porches; a bow windows cantilever sections and roof overhangs, as well as, sheds, pools, garages and any other accessory structures.
- Scale and North arrow; Zoning District & Setbacks
- First Floor sill elevation ( based on mean sea level datum);
- Location and dimensions of parking areas and driveways;
- Location and size of both existing utilities in the street and the proposed utilities serving the building;
- Location of areas on the site that will be used to dispose of surface water.
- Existing and proposed grade contours

**A COMPLETE SET OF CONSTRUCTION DRAWINGS INCLUDES THE FOLLOWING:**

- Cross Sections w/Framing details (including porches, decks w/ railings, and accessory structures)
- Floor Plans & Elevations
- Window and door schedules
- Foundation plans with required drainage and damp proofing
- Electrical and plumbing layout. Mechanical drawings for any specialized equipment such as furnaces, chimneys, gas equipment, HVAC equipment (air handling) or other types of work that may require special review must be included.

**SEPARATE PERMITS ARE REQUIRED FOR INTERNAL & EXTERNAL PLUMBING, HVAC AND ELECTRICAL INSTALLATIONS**

- All construction must be conducted in compliance with the 1999 B.O.C.A. Building Code as amended by Section 6-Art II.
- All plumbing must be conducted in compliance with the State of Maine Plumbing Code.
- All Electrical Installation must comply with the 1999 National Electrical Code as amended by Section 6-Art III.
- HVAC (Heating, Ventilation and Air Conditioning) installation must comply with the 1993 BOCA Mechanical Code.

Minor/Minor Site Review Fee for New Single Family homes: \$300.00/Building Permit Fee: \$30.00 for the 1st \$1000.cost plus \$6.00 per \$1,000.00 construction cost thereafter.

**ONE SET OF SUBMISSIONS INCLUDING CONSTRUCTION AND SITE PLAN DRAWINGS MUST BE SUBMITTED ON PAPER NO LARGER THAN 11" x 17" BEFORE ANY BUILDING PERMIT WILL BE ISSUED**

**Certification**

*I hereby certify that I am the Owner of record of the named property, or that the proposed work is authorized by the owner of record and that I have been authorized by the owner to make this application as his/her authorized agent. I agree to conform to all applicable laws of this jurisdiction. In addition, if a permit for work described in this application is issued, I certify that the Code Official's authorized representative shall have the authority to enter all areas covered by this permit at any reasonable hour to enforce the provisions of the codes applicable to this permit.*

Signature of applicant: <i>Marcus Santos</i>	Date: <i>5/2/01</i>
--	---------------------

BUILDING PERMIT REPORT

DATE: 4 MAY 2001 ADDRESS: 125 NEWTON ST- CBL: 339-B-001

REASON FOR PERMIT: To Construct a 8'x8' deck

BUILDING OWNER: M. A. De Sanctis

PERMIT APPLICANT: CONTRACTOR SAO

USE GROUP: R-3 CONSTRUCTION TYPE: 5B CONSTRUCTION COST: 400.00 PERMIT FEES: 21.00

The City's Adopted Building Code (The BOCA National Building Code/1999 with City Amendments)
The City's Adopted Mechanical Code (The BOCA National Mechanical Code/1993)

CONDITION(S) OF APPROVAL

This permit is being issued with the understanding that the following conditions shall be met: 1, 2, 11, 13

- 1. This permit does not excuse the applicant from meeting applicable State and Federal rules and laws.
2. Before concrete for foundation is placed, approvals from the Development Review Coordinator and Inspection Services must be obtained. (A 24 hour notice is required prior to inspection) "ALL LOT LINES SHALL BE CLEARLY MARKED BEFORE CALLING."
3. Foundation drain shall be placed around the perimeter of a foundation that consists of gravel or crushed stone containing not more than 10 percent material that passes through a No. 4 sieve.
4. Foundations anchors shall be a minimum of 1/2" in diameter, 7' into the foundation wall, minimum of 12" from corners of foundation and a maximum 6' O.C. between bolts.
5. Waterproofing and dampproofing shall be done in accordance with Section 1813.0 of the building code.
6. Precaution must be taken to protect concrete and masonry.
7. It is strongly recommended that a registered land surveyor check all foundation forms before concrete is placed.
8. Private garages located beneath habitable rooms in occupancies in Use Group R-1, R-2, R-3 or I-1 shall be separated from adjacent interior spaces by fire partitions and floor/ceiling assembly which are constructed with not less than 1-hour fire resisting rating.
9. All chimneys and vents shall be installed and maintained as per Chapter 12 of the City's Mechanical Code.
10. Sound transmission control in residential building shall be done in accordance with Chapter 12, Section 1214.0 of the City's Building Code.
11. Guardrails & Handrails: A guardrail system is a system of building components located near the open sides of elevated walking surfaces for the purpose of minimizing the possibility of an accidental fall from the walking surface to the lower level.
12. Headroom in habitable space is a minimum of 7'6".
13. Stair construction in Use Group R-3 & R-4 is a minimum of 10" tread and 7 1/4" maximum rise.
14. The minimum headroom in all parts of a stairway shall not be less than 80 inches.
15. The Minimum required width of a corridor shall be determined by the most restrictive of the criteria under section 1011.3 but not less than 36".
16. Every sleeping room below the fourth story in buildings of Use Groups R and I-1 shall have at least one operable window or exterior door approved for emergency egress or rescue.
17. Each apartment shall have access to two (2) separate, remote and approved means of egress.
18. All vertical openings shall be enclosed with construction having a fire rating of at least one (1) hour, including fire doors with self closure's.
19. The boiler shall be protected by enclosing with (1) hour fire rated construction including fire doors and ceiling, or by providing automatic extinguishment.

6/4

20. All single and multiple dwelling smoke detectors shall be of an approved type and shall be installed in accordance with the provisions of the City's Building Code Chapter 9, Section 920.3.2 (BOCA National Building Code/1999), and NFPA 101 Chapter 18 & 19. (Smoke detectors shall be installed and maintained at the following locations):

- In the immediate vicinity of bedrooms
- In all bedrooms
- In each story within a dwelling unit, including basements

21. A portable fire extinguisher shall be located as per NFPA #10. They shall bear the label of an approved agency and be of an approved type. (Section 921.0)
22. The Fire Alarm System shall be installed and maintained to NFPA #72 Standard.
23. The Sprinkler System shall be installed and maintained to NFPA #13 Standard.
24. All exit signs, lights and means of egress lighting shall be done in accordance with Chapter 10 Section & Subsections 1023.0 & 1024.0 of the City's Building Code. (The BOCA National Building Code/1999)
25. Section 25 - 135 of the Municipal Code for the City of Portland states, "No person or utility shall be granted a permit to excavate or open any street or sidewalk from the time of November 15 of each year to April 15 of the following year".
26. The builder of a facility to which Section 4594-C of the Maine State Human Rights Act Title 5 MRSA refers, shall obtain a certification from a design professional that the plans commencing construction of the facility, the builder shall submit the certification the Division of Inspection Services.
27. Ventilation and access shall meet the requirements of Chapter 12 Sections 1210.0 and 1211.0 of the City's Building Code. (Crawl spaces & attics).

- \*28. All electrical, plumbing and HVAC permits must be obtained by Master Licensed holders of their trade. No closing in of walls until all electrical (min. 72 hours notice) and plumbing inspections have been done.
29. All requirements must be met before a final Certificate of Occupancy is issued.
- \*30. All building elements shall meet the fastening schedule as per Table 2305.2 of the City's Building Code (The BOCA National Building Code/1996).
31. Ventilation of spaces within a building shall be done in accordance with the City's Mechanical code (The BOCA National Mechanical Code/1993). (Chapter M-16)
32. Please read and implement the attached Land Use Zoning report requirements.
- \*33. Boring, cutting and notching shall be done in accordance with Sections 2305.3, 2305.3.1, 2305.4.4 and 2305.5.1 of the City's Building Code.
34. Bridging shall comply with Section 2305.16.
35. Glass and glazing shall meet the requirements of Chapter 24 of the building code. (Safety Glazing Section 2406.0)
36. All flashing shall comply with Section 1406.3.10.
37. All signage shall be done in accordance with Section 3102.0 signs of the City's Building Code, (The BOCA National Building Code/1999).

\*38. A separate permit shall be required for hot tub - (see attached requirements).

---



---



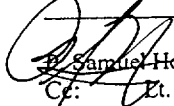
---



---



---

  
 Samuel Hoffses, Building Inspector  
 Cf: Lt. McDougall, PFD  
 Marge Schmuckal, Zoning Administrator  
 Michael Nugent, Inspection Service Manager

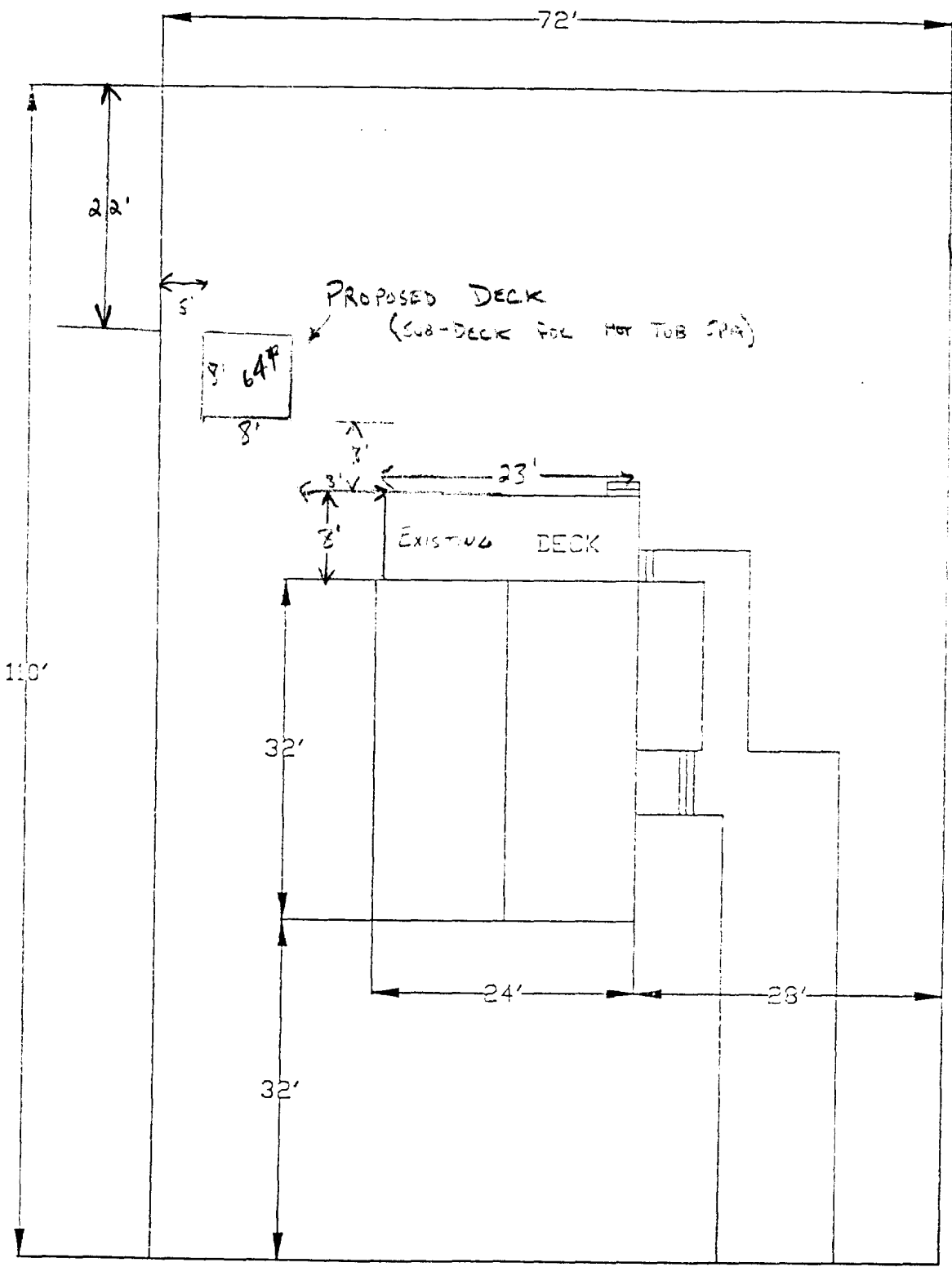
PSH 10/1/00

\*\*This permit is herewith issued, on the basis of plans submitted and conditions placed on these plans, any deviations shall require a separate approval.

\*\*\*THIS PERMIT HAS BEEN ISSUED WITH THE UNDERSTANDING THAT ALL THE CONDITIONS OF THE APPROVAL SHALL BE COMPLETED. THEREFORE, BEFORE THE WORK IS COMPLETED A REVISED PLAN OR STATEMENT FROM THE PERMIT HOLDER SHALL BE SUBMITTED TO THIS OFFICE SHOWING OR EXPLAINING THAT THE CONDITIONS HAVE BEEN MET. IF THIS REQUIREMENT IS NOT RECEIVED YOUR CERTIFICATE OF OCCUPANCY SHALL BE WITHHELD. ( You Shall Call for Inspections )

\*\*\*\*ALL PLANS THAT REQUIRE A PROFESSIONAL DESIGNER'S SEAL, (AS PER SECTION 114.0 OF THE BUILDING CODE) SHALL ALSO BE PRESENTED TO THIS DIVISION ON AUTO CAD LT. 2000, DXF FORMAT OR EQUIVALENT.

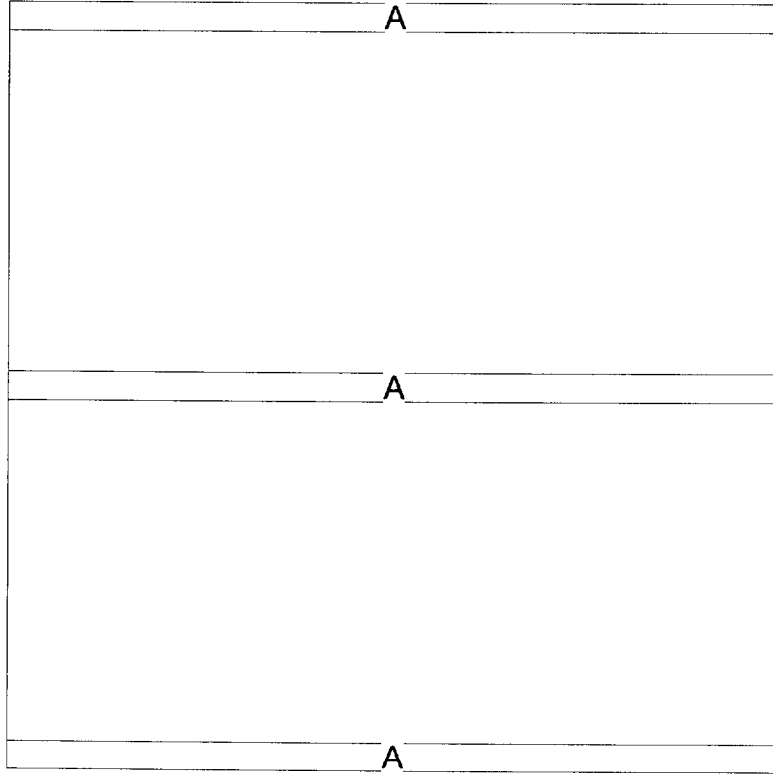
\*\*\*\*\*CERTIFICATE OF OCCUPANCY FEE \$50.00



R-3 Zone  
 100 # or less  
 maybe 5' from  
 side & rear  
 lines —  
 shows over  
 8' from  
 present deck

Proposed Spa Sub-deck  
 Marcus DeSanctis  
 125 Newton St.  
 Portland, ME 04103  
 207-878-7454

**Beam Cut List**  
The Scale is 1/2" : 1'



**Mark**  
A

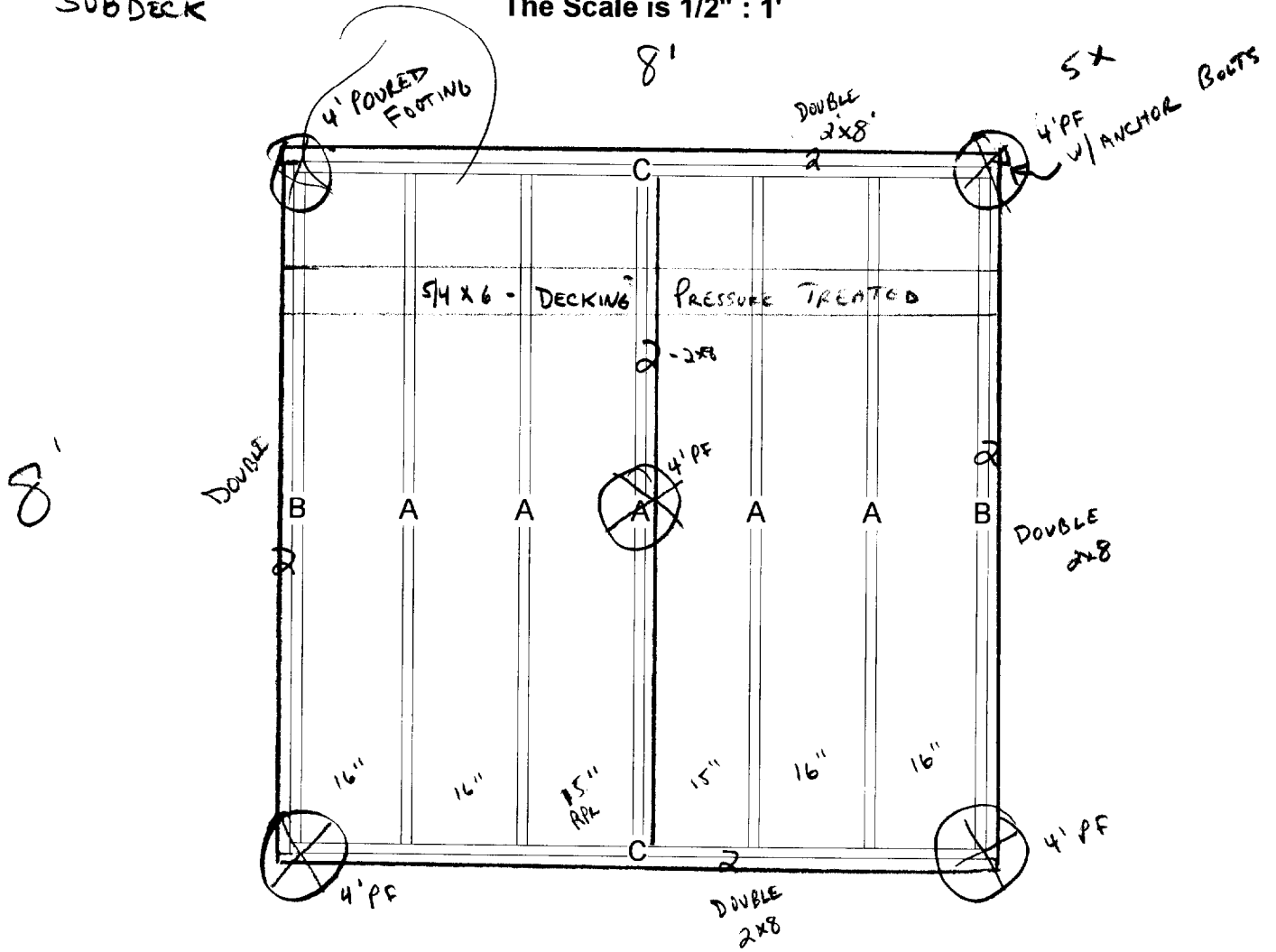
**Length**  
8'

**Description**  
4x8 No. 2 P.T. Douglas Fir

HOT TUB SPA  
SUBDECK

### Joist Cut List

The Scale is 1/2" : 1'



Mark	Length	Description	Usage
A	7' 9"	2x8 No. 2 P.T. Douglas Fir	Joist
B	7' 9"	2x8 No. 2 P.T. Douglas Fir	Rim joist
C	8'	2x8 No. 2 P.T. Douglas Fir	Rim joist

Joists to be hung from the ledge with joist hangers. ✓  
 Joists to be toe-nailed to beams with 2-1/2" (8d) galvanized nails. ✓ *making, schullke 3-8d.*  
 Rim joists to be face-nailed to joists & ledgers with 3-1/2" (16d) galvanized nails.  
 Blocking and bridging is not shown, but may be required by your local code.

*Table 2305.2*



# Shopping List

Qty.	Len.	Description	Usage	Price Ea.	Total Price
17	8'	5/4x6 No. 1 P.T. Douglas Fir	Decking	\$3.75	\$63.75
14 <span style="font-size: 2em;">{</span> 5	8'	2x8 No. 2 P.T. Douglas Fir	Joist	\$6.93	\$34.67
4	8'	2x8 No. 2 P.T. Douglas Fir	Rim joist	\$6.93	\$27.73
3	8'	4x8 No. 2 P.T. Douglas Fir	Beam	\$13.87	\$41.60
240		2-1/4" galvanized decking screws		\$.10	\$24.00
6		1/2" J bolt		\$.70	\$4.20
6		1/2" washers		\$.05	\$.30
6		1/2" nut		\$.15	\$.90
6		4x4 adjustable post base		\$5.80	\$34.80
24		60 lb. bags of concrete		\$3.25	\$78.00
2		lbs. 2-1/2" galvanized common nails		\$1.10	\$2.20
3		lbs. 3-1/2" galvanized common nails		\$1.10	\$3.30
<b>Deck Level SubTotal</b>					<b>\$315.45</b>
<b>Total Price</b>					<b>\$315.45</b>

5/23/01 - Spoke to owner on telephone and did pre-con  
for Deck - Rails - Treads - Sona tubes ect ect - Tom m



# CITY OF PORTLAND, MAINE

## Department of Building Inspection

May 2 2001

Received from Alvin DeSantis a fee

of Unity /100 Dollars \$ 30.00

for permit to  install  
 erect  
 alter Unid 8x8 Deck

at 125 Dunton St move  
demolish Est. Cost \$ 400.

Cash  
3398001

\_\_\_\_\_  
Inspector of buildings

Per Gray

# THIS IS NOT A PERMIT

No work is to be started until PERMIT CARD is actually posted upon the premises. Acceptance of fee is no guarantee that permit will be granted. PRESERVE THIS RECEIPT. In case permit cannot be granted the amount of the fee will be refunded upon return of the receipt less \$5.00 or 10% whichever is greater.

WHITE - Applicant's Copy  
YELLOW - Office Copy  
PINK - Auditors Copy