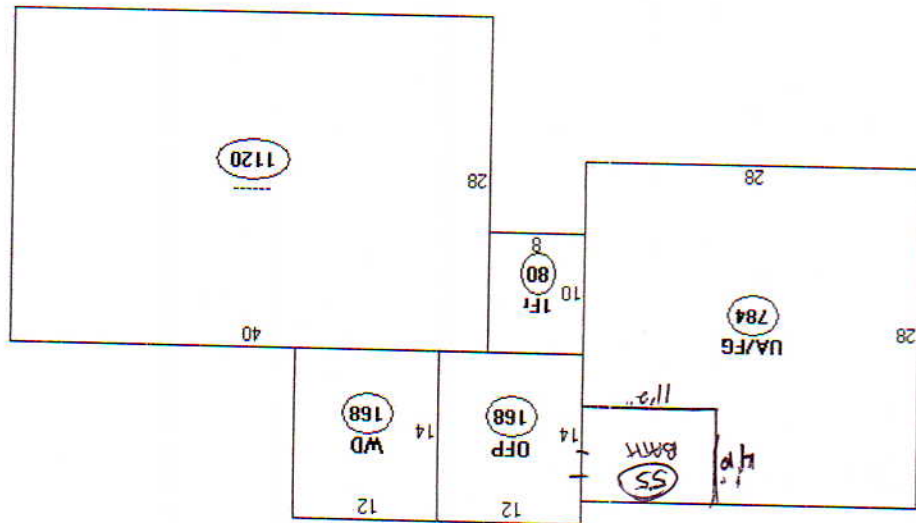


- Request After-THE-FACT Permit

Descriptor/Area

A: 1120 sqft
B: 1Fr 80 sqft
C: UA/FG 784 sqft
D: OFP 168 sqft
E: WD 168 sqft



Room
BATH