

**HVAC PRODUCTS, INC.**  
*Air Moving Equipment for Commercial and Industrial Applications*

*PROJECT NAME: DENLAR HOOD  
LOCATION:  
CUSTOMER: AIRTEMP  
ENGINEER:  
ARCHITECT:  
DATE: JANUARY 23, 2018  
CUSTOMER PO#:  
OUR ORDER #: H1801042  
REVISION DATE:*

*Submitted For Approval*

*ENCLOSED PLEASE FIND SUBMITTAL DATA CONSISTING OF THE FOLLOWING:*

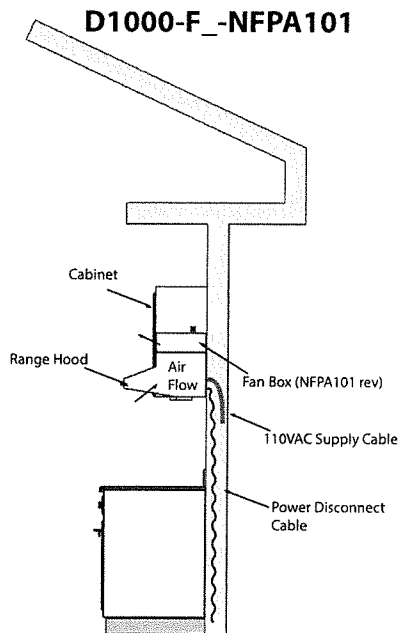
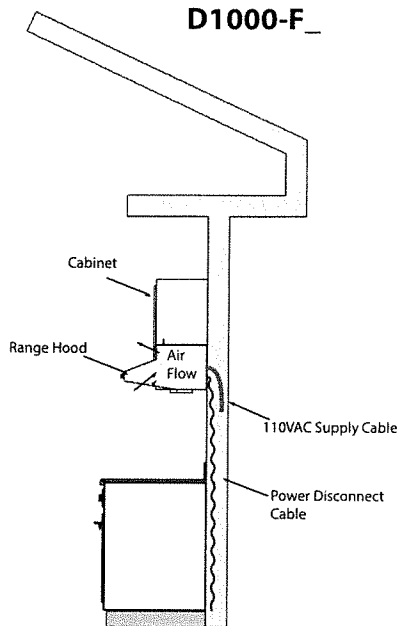
*SPEC. SECTION: KITCHEN HOOD W/ TEST GAS KIT*

*DENLAR HOOD SPECIFICATIONS, D1036-F (NFPA101)  
D1036-F SYSTEM ANATOMY, TOP/BOTTOM VIEWS  
INTEGRATED FIRE SUPPRESSION SYSTEM  
D1036-F SYSTEM COMPONENTS, OUTER SHELL  
D1000 NFPA101 MOUNTING PLATE DETAIL  
D1000 ELECTRIC RANGE DISCONNECT/PULL KIT DETAILS  
D1000 CLOCKBOX DETAIL  
NFPA101 CALIBRATION  
D1000 ELECTRICAL DIAGRAM*

HVAC Products Inc.  
88 Second St., South Portland, ME 04106  
Phone: (207)874-6100 Fax: (207)874-1900  
Web address: [www.hvacproductsinc.com](http://www.hvacproductsinc.com)

# The D1000

## Model: D1036-F Spec & Submittal Version 2.3



	Width	Fan Type	Venting	CFM (at hood)	DUCT LENGTH (max)
D1030-F	30"	INTERNAL	FRONT (recirc)	140 CFM	N/A
D1030-F (NFPA101)	30"	INTERNAL	FRONT (recirc)	500 CFM	N/A
D1030-R	30"	INTERNAL	REAR EXPELLING	250 CFM	N/A
D1030-R (NFPA101)	30"	INTERNAL	REAR EXPELLING	500 CFM	N/A
D1030-I -DF	30"	In-Line Duct Fan	Vertical Duct	470 CFM	35 FEET
D1030-I -DF (NFPA101)	30"	In-Line Duct Fan	Vertical Duct	510 CFM	35 FEET
D1030-I -WF	30"	Exterior Wall Fan	Vertical Duct	150 CFM	20 FEET
D1030-I -WF (NFPA101)	30"	Exterior Wall Fan	Vertical Duct	550 CFM	20 FEET
D1036-F	36"	INTERNAL	FRONT (recirc)	140 CFM	N/A
D1036-F (NFPA101)	36"	INTERNAL	FRONT (recirc)	500 CFM	N/A
D1036-R	36"	INTERNAL	REAR EXPELLING	250 CFM	N/A
D1036-R (NFPA101)	36"	INTERNAL	REAR EXPELLING	500 CFM	N/A
D1036-I -DF	36"	In-Line Duct Fan	Vertical Duct	470 CFM	35 FEET
D1036-I -DF (NFPA101)	36"	In-Line Duct Fan	Vertical Duct	510 CFM	35 FEET
D1036-I -WF	36"	Exterior Wall Fan	Vertical Duct	150 CFM	20 FEET
D1036-I -WF (NFPA101)	36"	Exterior Wall Fan	Vertical Duct	550 CFM	20 FEET

Volts = 115 :: Hz = 60 :: Amps = 5 :: Light Bulb = 60A15/TF :: Elec. Cutoff = 50A-208VAC Relay :: Gas Cutoff = 110VAC Solenoid

### Typical Specifications:

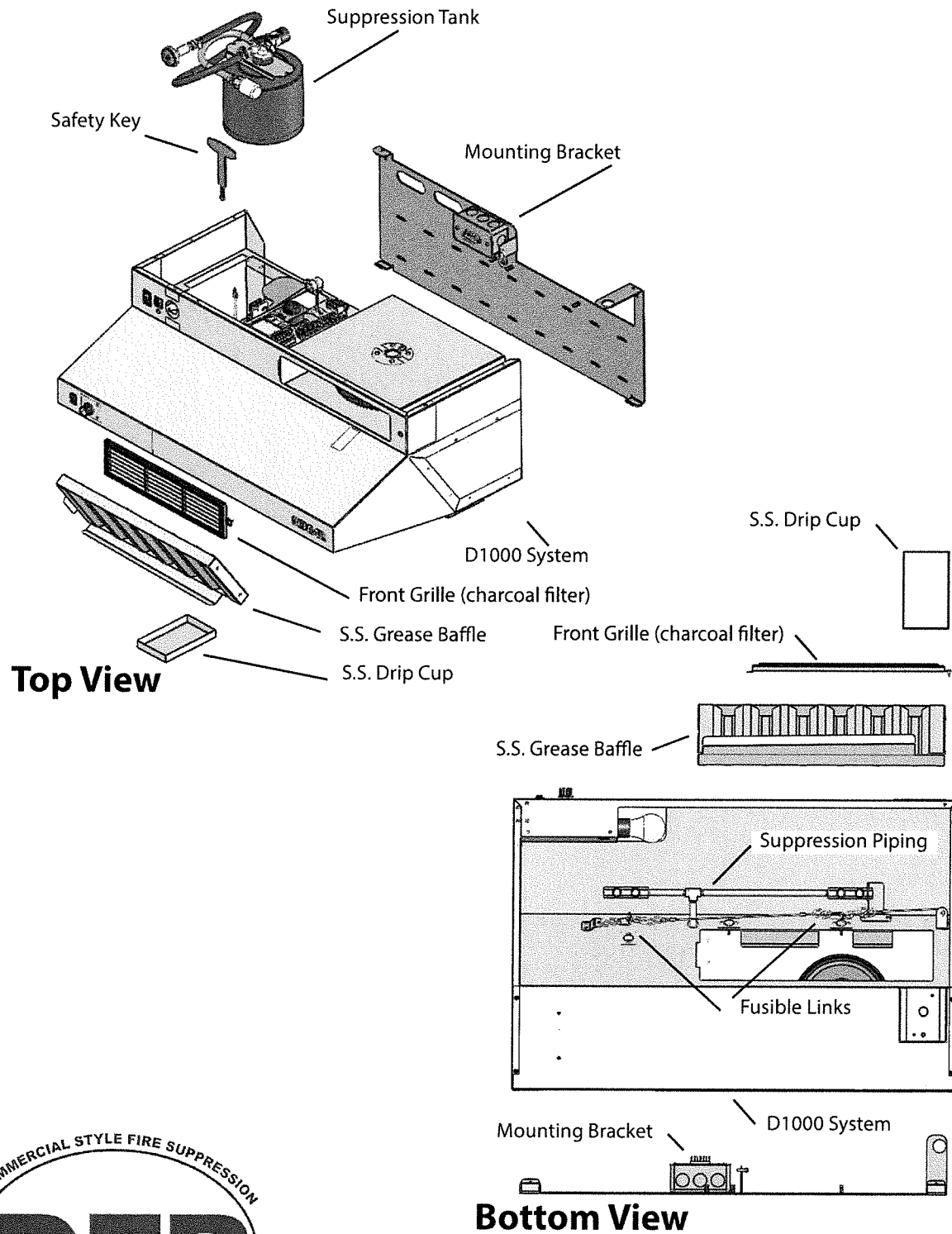
- Hood shall be D1000 Series by DENLAR Fire Protection
- Unit shall be wall mounted so that the bottom of the mounting bracket sits 30" to 36" above the cooktop
- Unit shall be of stainless steel construction (#18 & #20 GA, polished 304) w/ no sharp edges and brushed finish
- Unit shall have fire suppression system factory installed
- Activation of the mechanical fire suppression system shall be by 212 or 280 degree fusible link (30" vs 36")
- Wet chemical extinguishing agent: Low PH Amerex 660 (pressurized potassium citrate / potassium acetate mix)
- Unit shall have centrifugal fan with air delivery of 380 to 610 cfm, fan speed controller will be infinitely variable
- Unit shall be ETL listed, tested to UL300A standards, fan motor shall be permanently lubricated and meet UL507
- Unit shall include a fuel shut-off device for gas & electric appliances, activated at suppression system discharge
- Unit shall also automatically disconnect range element once a certain pre-set temperature is reached
- Unit shall have multiple alarm contacts pre-installed (local, remote & trouble alarms) and an audible buzzer
- Lighting shall be by 60w shatter-proof bulb

### Standard Options\*:

- MPK - Manual Pull Station Kit
- NSF - Upgrade to Natl. Sanitation Foundation Compliance
- ADA - Handicapped Accessible Control Box
- CLBX - THE CLOCKBOX (Key-lock, Range Element Timer)
- NFPA101 - Upgrade to NFPA Life Safety Code Compliance
- \*Custom Powdercoat Finishes Are Available



# System Anatomy :: D1036-F



**Top View**

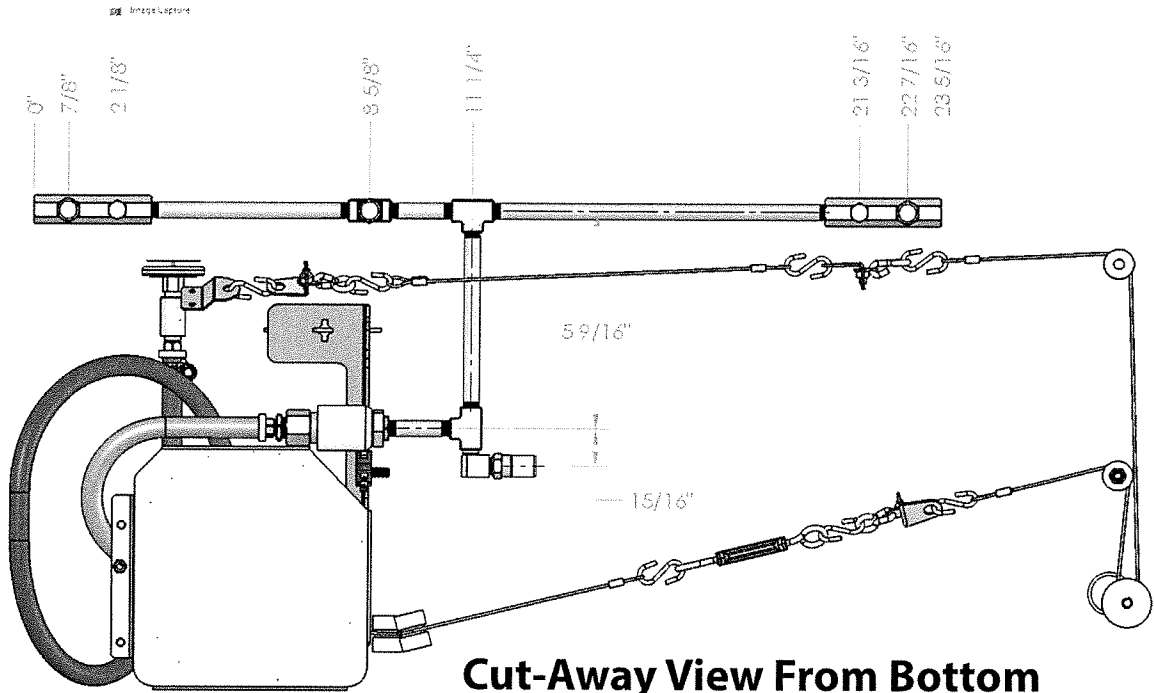
**Bottom View**



## The D1000

Model: D1036-F  
Spec & Submittal  
Version 2.3

# Integrated Fire Suppression System

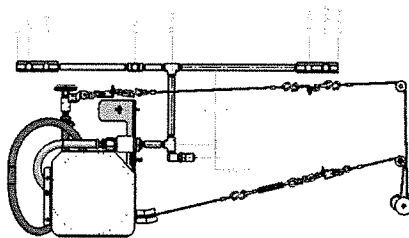
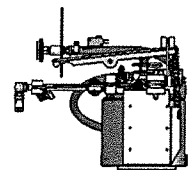
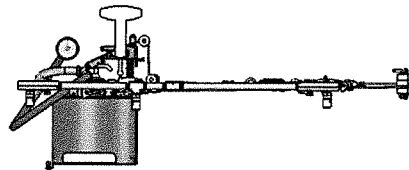
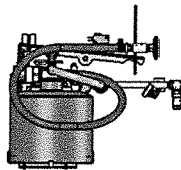
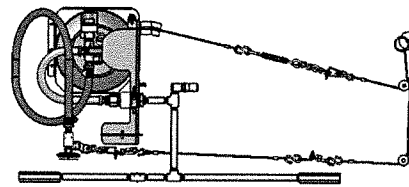


Nozzle Type:  
40 degree Conical Spray

Number of Nozzles:  
5 protecting the appliance  
1 located in the plenum

Chemical Agent:  
AMEREX 660  
-low PH wet chemical

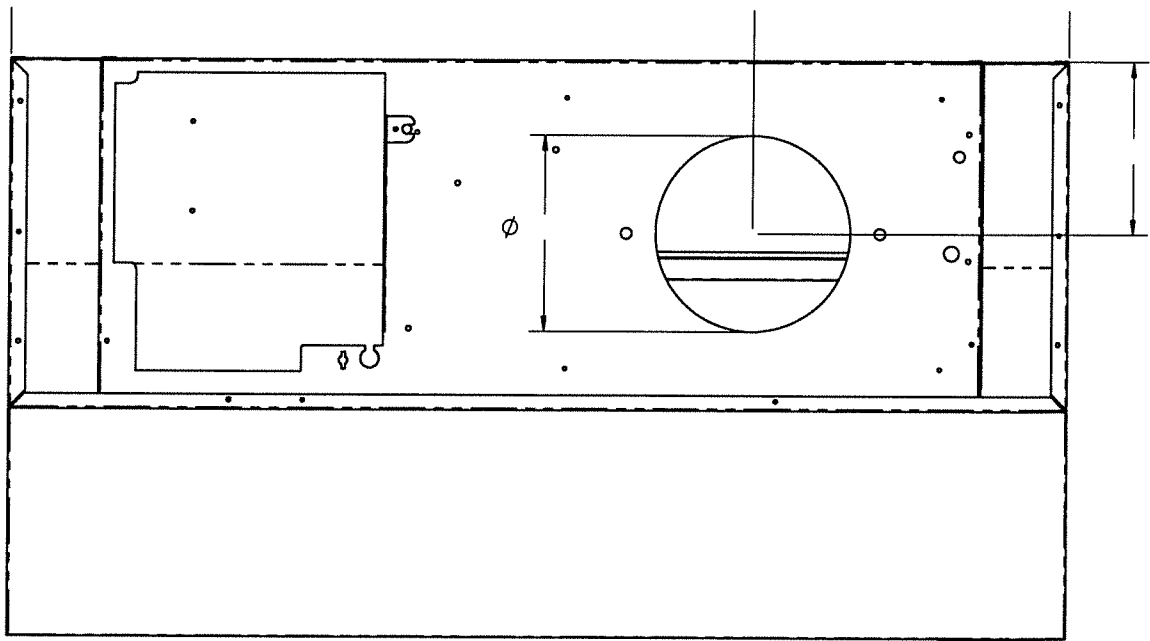
Bottle Volume:  
approx. 1.5 liters



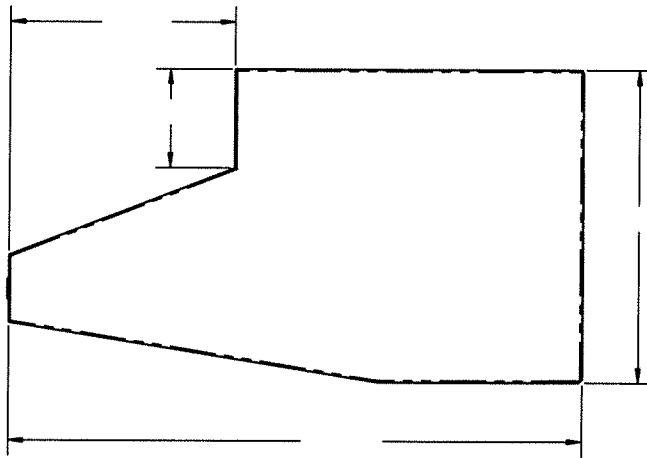
## The D1000

Model: D1036-F  
Spec & Submittal  
Version 2.3

# System & Components



**D1036: Outer Shell**

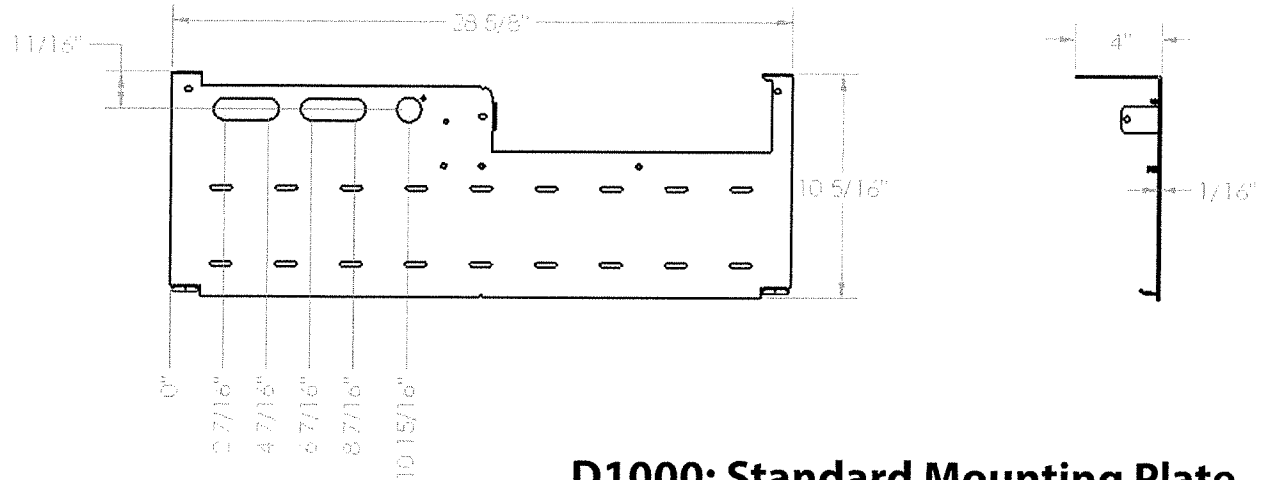


4

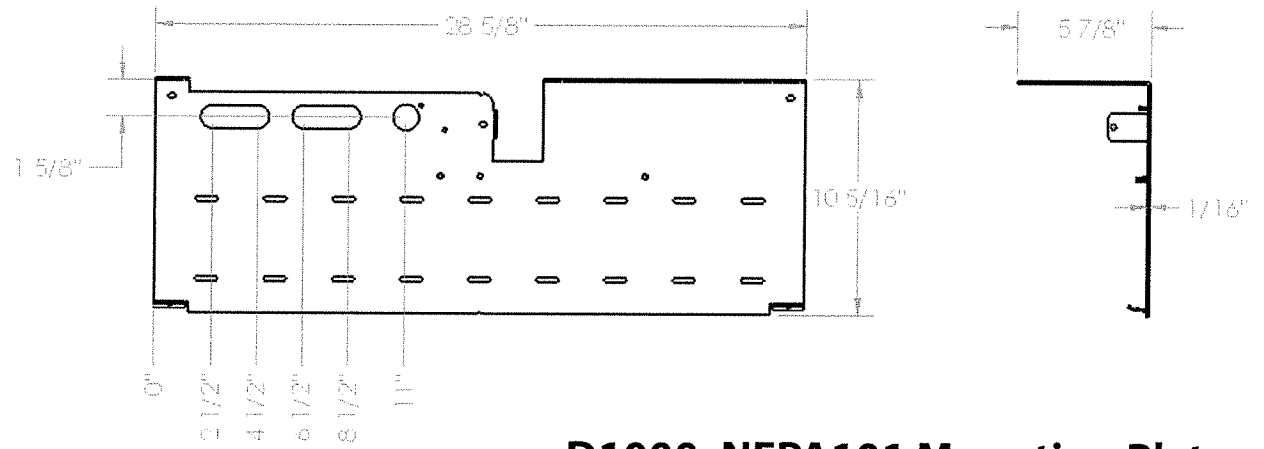


# The D1000

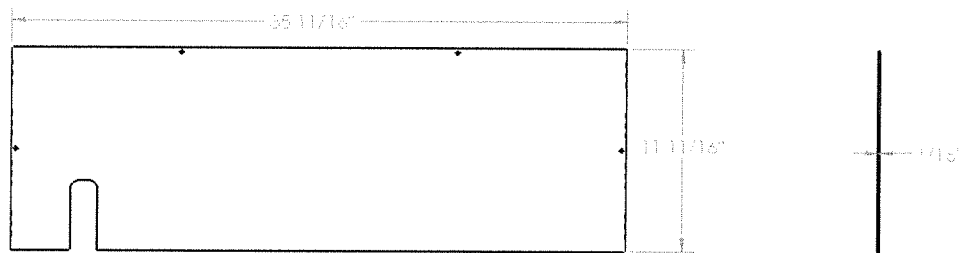
Model: D1036-F  
Spec & Submittal  
Version 2.3



**D1000: Standard Mounting Plate**



**D1000: NFPA101 Mounting Plate**



**\*D1036FC: 36" Top Cover for F unit**



\* Indicates OPTIONAL component

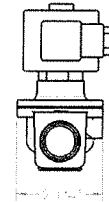
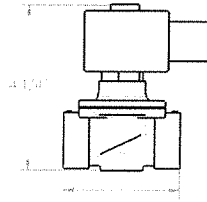
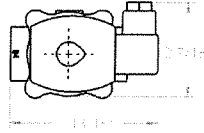
**The D1000**

**Model: D1036-F  
Spec & Submittal  
Version 2.3**

## D1000-G: Controlled GAS Solenoid Valve

Included:

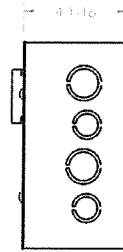
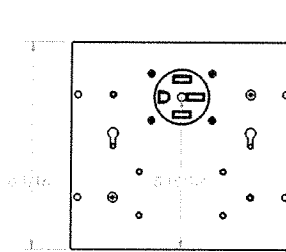
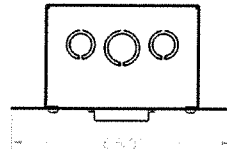
- 6 ft shielded control wire
- plug & play connection



## \*D1000-E: Electric Range Element Disconnect

Included:

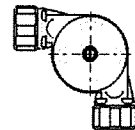
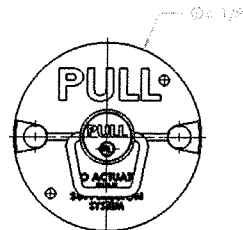
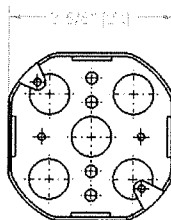
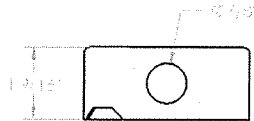
- 6 ft shielded control wire
- plug & play connection



## \*D1000-MPK: Manual Pull Station Kit

Included:

- 18 ft braided metal rope
- 3 corner pulley's

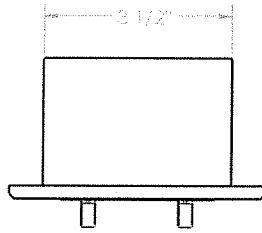


\*Indicates OPTIONAL component

# The D1000

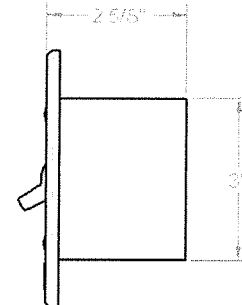
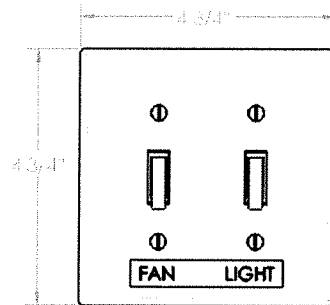
Model: D1036-F  
Spec & Submittal  
Version 2.3

**\* D1000-ADA:  
Handicapped  
Accessible  
Control Box**



Included:

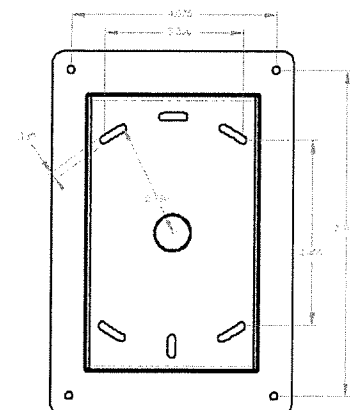
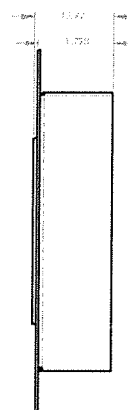
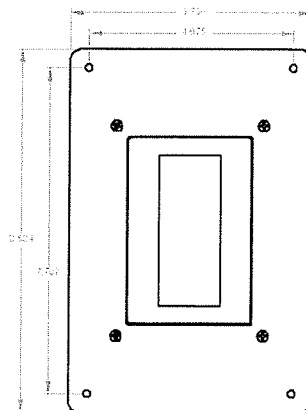
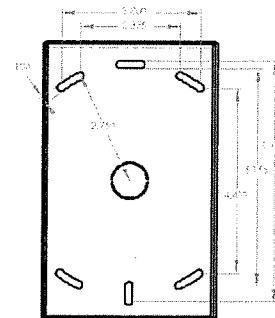
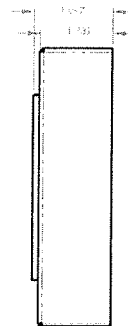
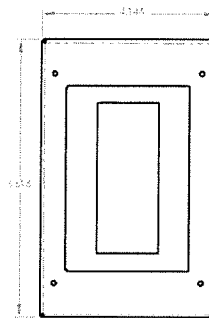
8ft shielded control wire  
-plug & play connection



**\* D1000-CLBX:  
CLOCKBOX II Range  
Element Timer /  
Lock-Out System**

Included:

20ft shielded control wire  
-plug & play connection



\* Indicates OPTIONAL component



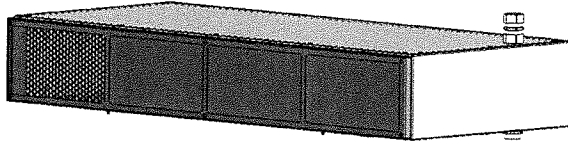
**The D1000**

**Model: D1036-F  
Spec & Submittal  
Version 2.3**

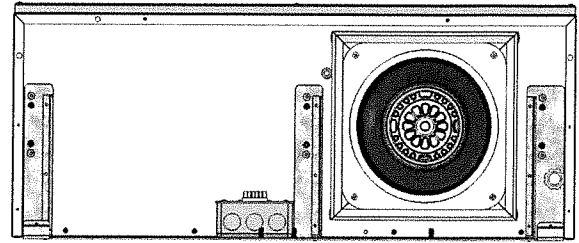
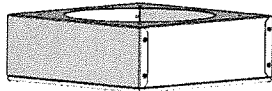


# NFPA101 Calibration :: D1036-F\_-NFPA101

The NFPA101 Upgrade to the DENLAR D1000 is intended to offer total compliance to a 2012 Amendment to The NFPA Life Safety Code section 18.3.2.5.3. The "NFPA101" calibration packages the following options into one simple upgrade: +500cfm of Air Delivery, a Manual Pull Station Kit and The CLOCKBOX.



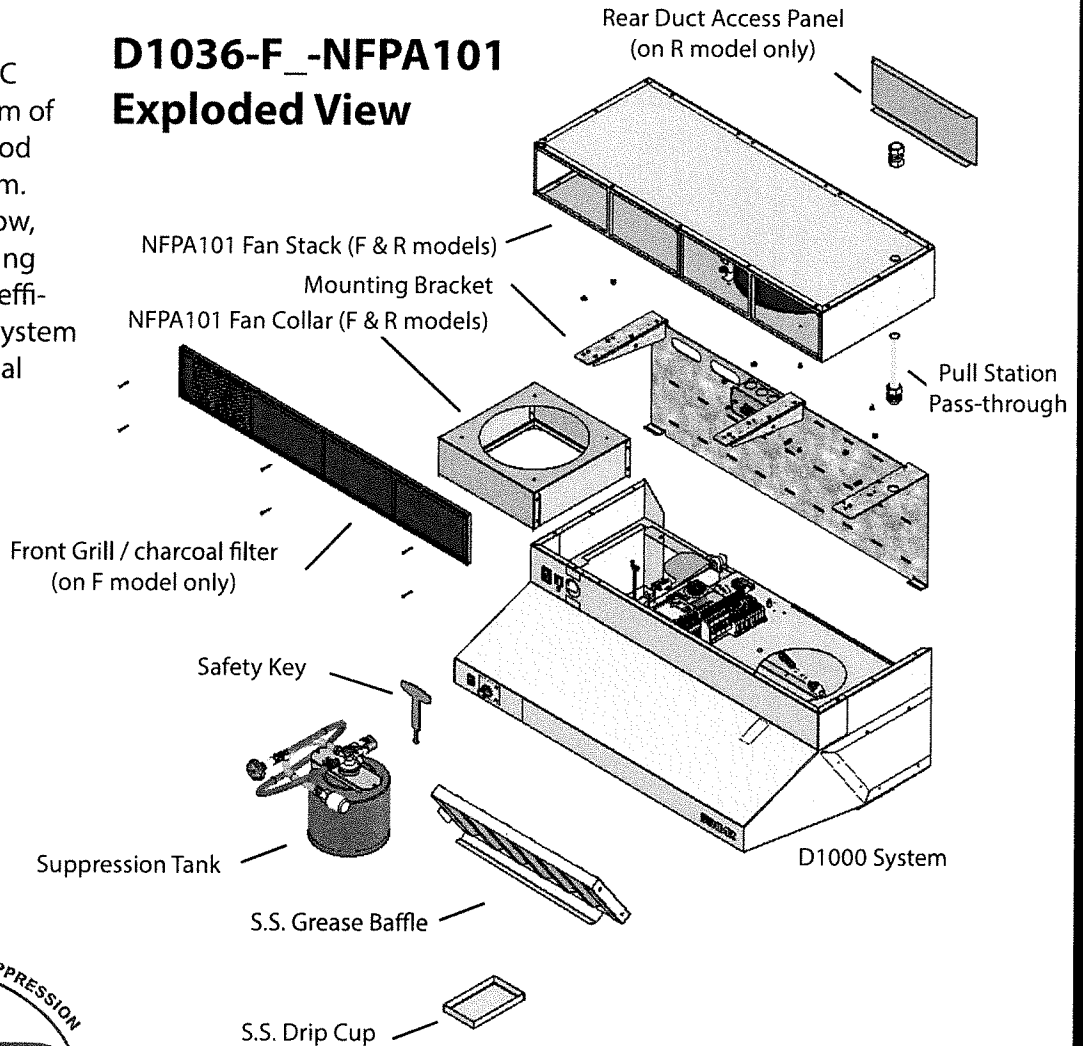
**Fan Stack :  
Front View**



**Fan Stack : Bottom View**

**NOTE:** The NFPA LSC (101) requires 500cfm of airflow in a 300A hood & suppression system. This amount of airflow, through a recirculating hood, will create inefficiencies within the system resulting in additional noise production.

## D1036-F\_-NFPA101 Exploded View

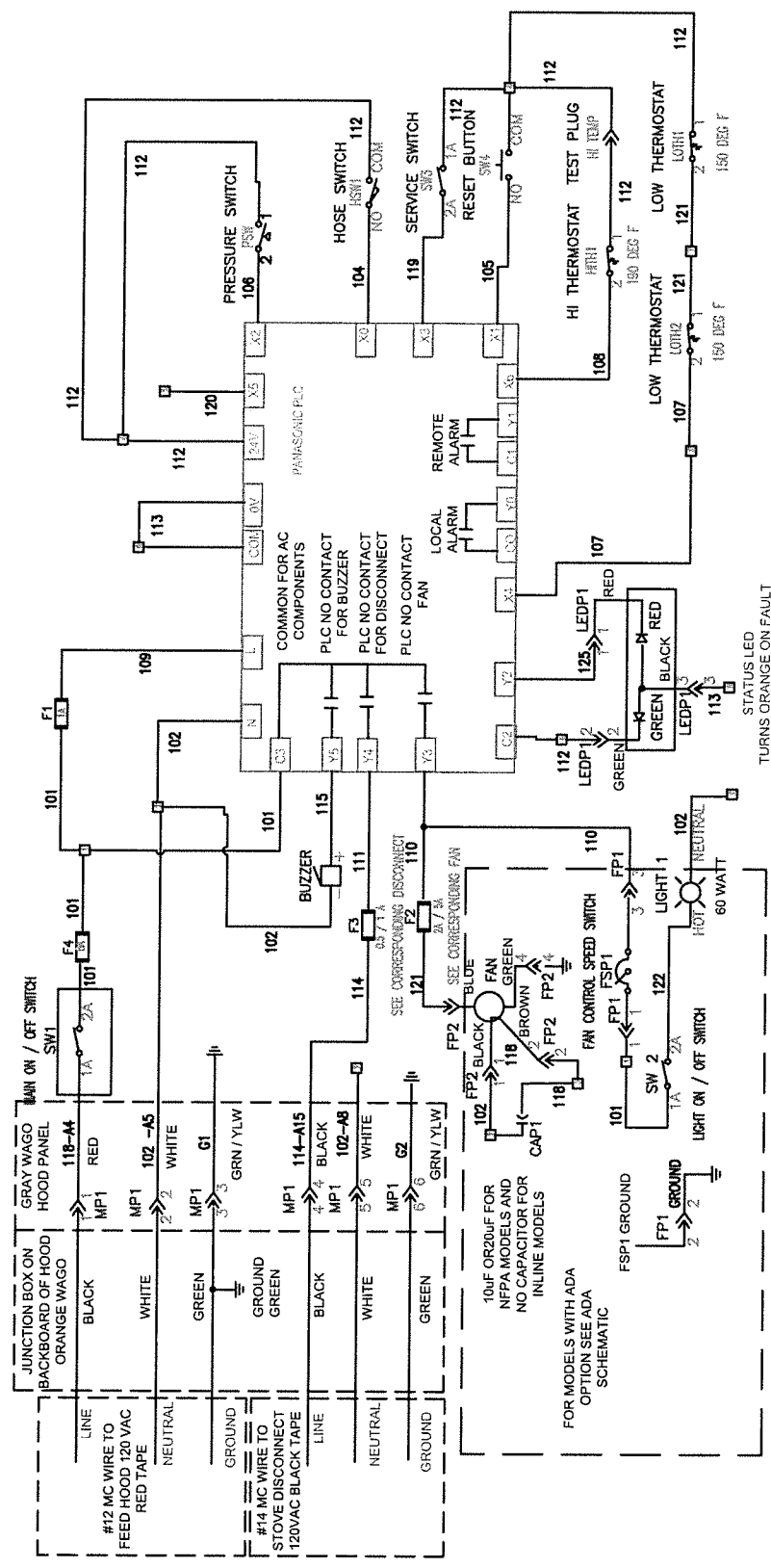


# The D1000

**Model: D1036-F  
Spec & Submittal  
Version 2.3**



# D1000 Electrical Diagram - Complete Schematic



STATUS LED  
TURNS ORANGE ON FAULT  
D1000 SCHEMATIC REV 0818205A

## The D1000

Model: D1036-F  
Spec & Submittal  
Version 2.3