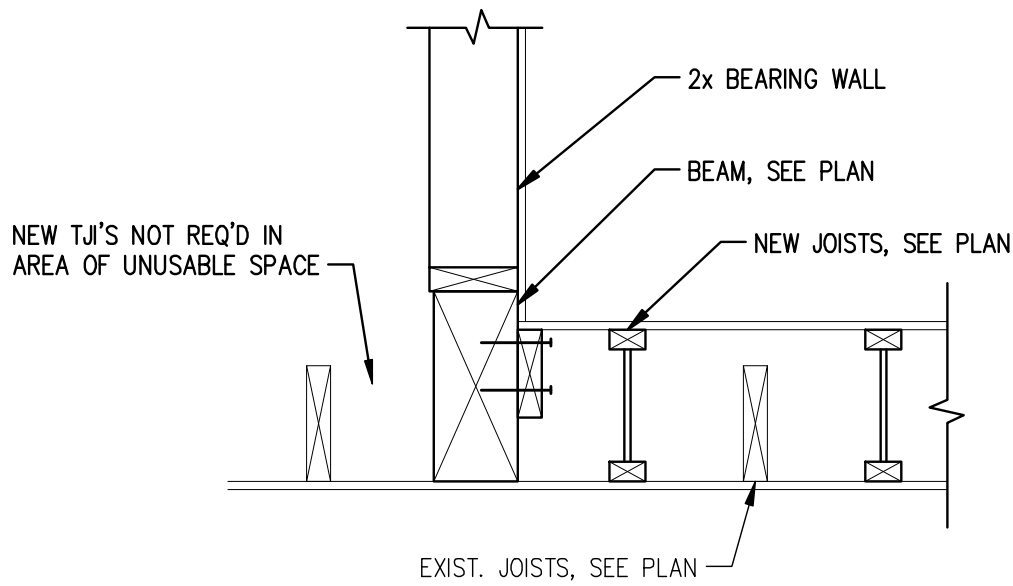


**SECTION**

**SCALE: 1"=1'-0"**

**1**



**SECTION**

**SCALE: 1"=1'-0"**

**2**

SHEET TITLE:

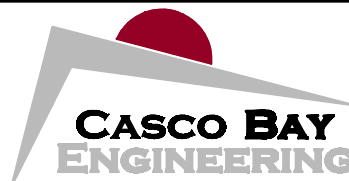
**MAHEUX RESIDENCE**

12 HASKELL STREET

PORTLAND, ME

SHEET TITLE:

**DETAILS**



424 Fore Street, Portland, ME 04101  
 Tel. 207.842.2800 Fax 207.842.2828  
[www.cascobayengineering.com](http://www.cascobayengineering.com)

DESIGNED:

TD

DRAWN:

TD

DATE:

10-18-10

CADD FILE:

9019-S1.DWG

PROJECT NUMBER:

9019

**SK1**