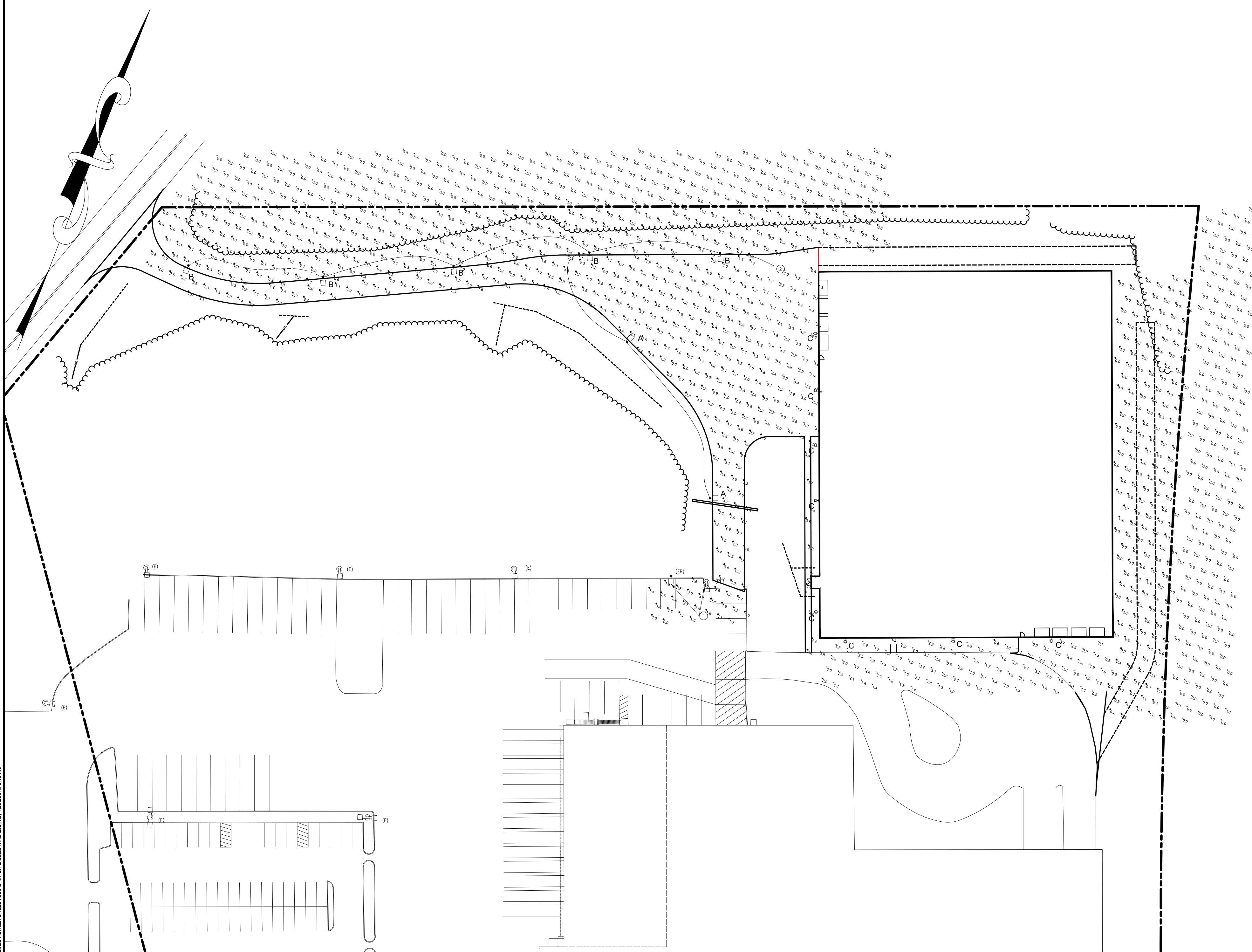
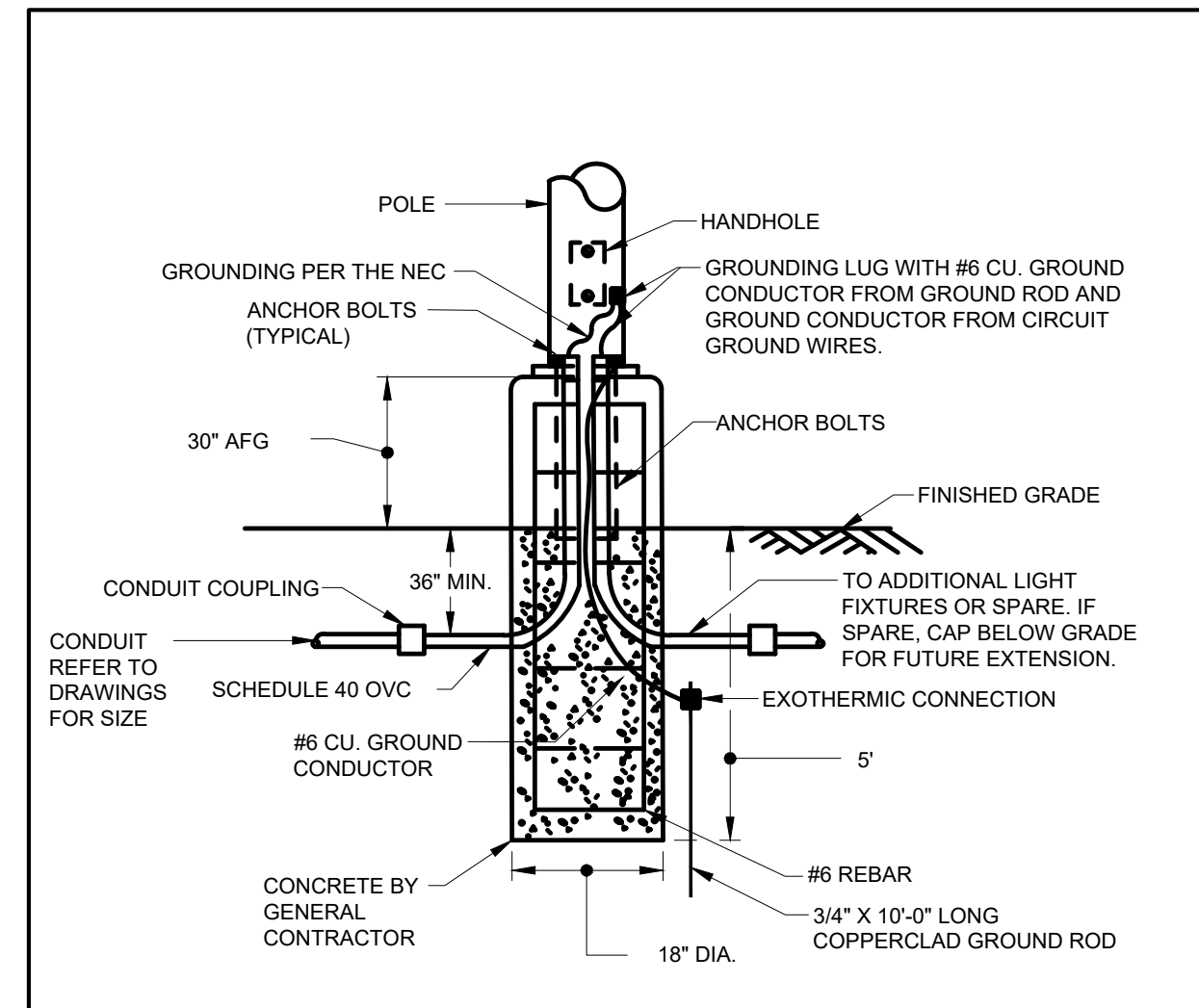


P:\2018\10\26\12254\W0101 - MILLIKEN EXPANSION ENGINEERING-SITING-CAD DRAWINGS\ELECTRICAL\SUPERVALU WAREHOUSE SITE ELECTRICAL.DWG - 10/26/2018 8:18 AM

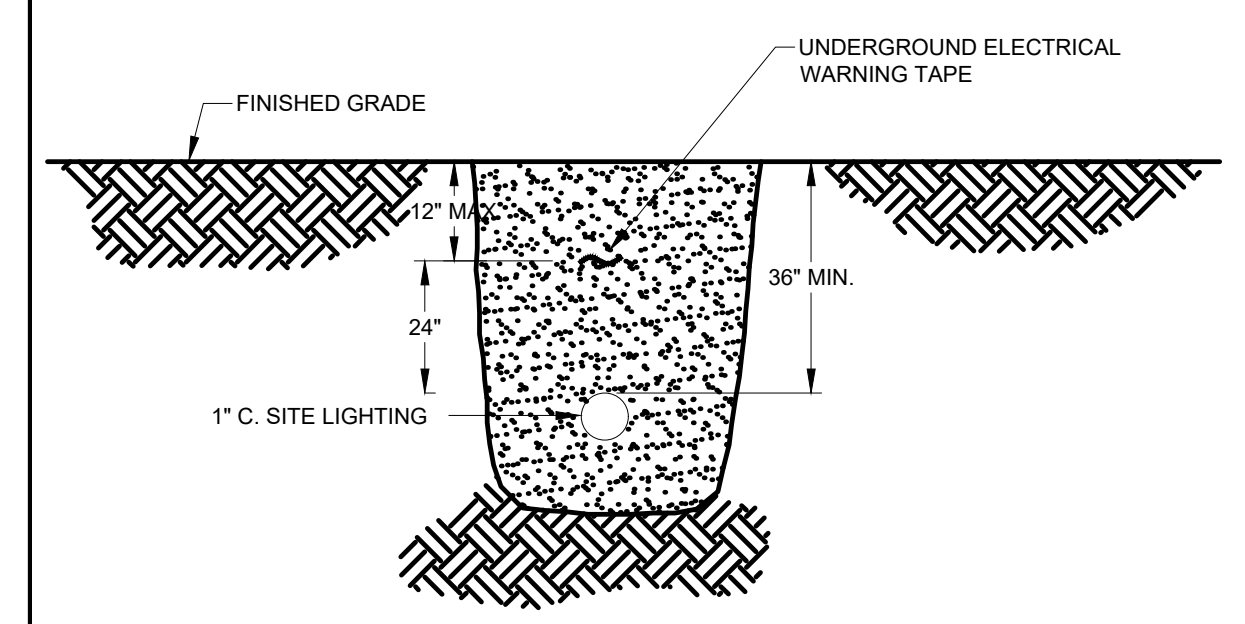


SITE ELECTRICAL PLAN
SCALE: 1"=50'

FITTURE LETTER	DESCRIPTION	MANUFACTURER & CATALOG NUMBER	MOUNTING	LAMPS			VOLTS	REMARKS
				TYPE	WATTS	QUANTITY		
A	LED SINGLE HEAD POLE MOUNTED AREA FIXTURE, DARK SKY COMPLIANT, DARK BRONZE DIE CAST ALUMINUM HOUSING, 4000K COLOR TEMPERATURE, TYPE IV DISTRIBUTION OPTICS, MINIMUM OF 12,000 LUMENS, WITH A STANDARD DRIVER AND BUTTON PHOTOCONTROL, MOUNTED ON A 18" SQUARE STEEL DARK BRONZE POLE	BEACON VPS-48L-110-4K7-4-UNV-A-DB-7PR-TL	POLE	LED	110	N/A	UNIVERSAL	PROVIDE WITH A TWIST LOCK PHOTO CONTROL, 18" SQUARE STEEL POLE AND CONCRETE POLE BASE
B	LED SINGLE HEAD POLE MOUNTED AREA FIXTURE, DARK BRONZE DIE CAST ALUMINUM HOUSING, 4000K COLOR TEMPERATURE, MEDIUM TYPE III DISTRIBUTION OPTICS, WITH HOUSE SIDE SHIELD ON THE BACK OF THE LENS, MINIMUM OF 600 LUMENS, WITH A STANDARD DRIVER AND BUTTON PHOTOCONTROL, MOUNTED ON A 18" SQUARE STEEL DARK BRONZE POLE	BEACON VPS-36L-80-4K7-3-UNV-A-DB-7PR-TL-HSS/VP-S/90-FB/DB	POLE	LED	87	N/A	UNIVERSAL	PROVIDE WITH A TWIST LOCK PHOTO CONTROL, HOUSE SIDE SHIELD, 18" SQUARE STEEL POLE AND CONCRETE POLE BASE
C	LED WALL PACK, DARK BRONZE DIE CAST ALUMINUM HOUSING, FROSTED ACRYLIC DIFFUSER LENS, 4000K COLOR TEMPERATURE, TYPE IV DISTRIBUTION OPTICS, MINIMUM OF 13000 LUMENS, WITH A STANDARD DRIVER WITH BUTTON PHOTOCONTROL	HUBBELL LNC4-36L-4K-105-4-U-DB-PCU-CS	SURFACE	LED	140	N/A	UNIVERSAL	PROVIDE WITH UNIVERSAL VOLTAGE PHOTO BUTTON CONTROL



A1 TYPICAL LIGHT POLE BASE DETAIL
NOT TO SCALE



A2 TYPICAL DIRECT BURIED CONDUIT DETAIL
NOT TO SCALE

DRAWING E101
NUMBERED NOTES

1. ALL SITE LIGHTING SHALL MEET THE LATEST REQUIREMENTS OF THE CITY OF PORTLAND SITE LIGHTING STANDARDS.

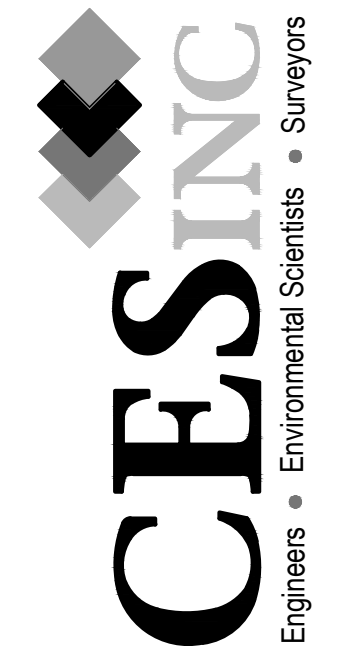
DRAWING E101
NUMBERED NOTES

1. CONTRACTOR SHALL REMOVE AND RELOCATE THE EXISTING POLE LIGHT FIXTURE TO THE NEW LOCATION AS SHOWN, CUT BACK THE EXISTING CONDUITS AND PROVIDE NEW BRANCH CIRCUITS FROM THE LAST EXISTING POLE TO THE RELOCATED POLE. CONDUCTORS SHALL MATCH THE EXISTING CONDUCTORS.

2. EXTEND THE UNDERGROUND ELECTRICAL SITE LIGHTING CIRCUITS TO THE BUILDING ELECTRICAL ROOM AND CONNECT TO THE LIGHTING PANEL AS REQUIRED.

LIGHTING LEVEL STATISTICS						
LOCATION DESCRIPTION	SYMBOL	LIGHTING LEVELS IN FOOT-CANDELS (fc)				
		AVERAGE	MAXIMUM	MINIMUM	MAX/MIN	AVG/MIN
BEYOND PROPERTY LINE - EAST	+	0.0	0.0	0.0	N/A	N/A
BEYOND PROPERTY LINE - NORTH	+	0.0	0.0	0.0	N/A	N/A
BOUNDARY TO PROPERTY LINE - EAST	+	0.0	0.6	0.0	N/A	N/A
BOUNDARY TO PROPERTY LINE - NORTH	+	0.1	1.6	0.0	N/A	N/A
ENTRANCE DRIVE	+	2.2	4.8	0.6	8.0	3.7
EXISTING TURN AROUND WITHIN 25' OF BUILDING	+	2.6	10.2	0.6	17.0	4.3
EXIT DRIVE	+	1.6	2.7	0.4	6.8	4.0
CONNECTING DRIVE	+	2.3	4.9	0.3	16.3	7.7
LOADING DOCK AREA WITHIN 25' OF THE BUILDING	+	3.4	12.7	0.7	18.1	4.9
WALKWAY	+	4.4	10.1	2.7	3.7	1.6

100 South Main Street
 Portland, ME 04101
 Phone: 207.754.8412
 Fax: 207.754.8414
 Website: www.cesinc.com



PROJECT TITLE: SUPERVALU WAREHOUSE SITE EXPANSION PROJECT
 PORTLAND MAINE
 SHEET TITLE: SITE ELECTRICAL

NO.	REV.	DATE	DESCRIPTION

NOT FOR CONSTRUCTION



SCALE: 1"=50'
 DATE: 2018-10-26
 DRAWN BY: BTH CHECKED BY: PEB
 DESIGNED BY: PEB APPROVED BY: JDK
 JOB NUMBER: 12254.003
 DRAWING NUMBER:

C104

Issued for
Regulatory Review