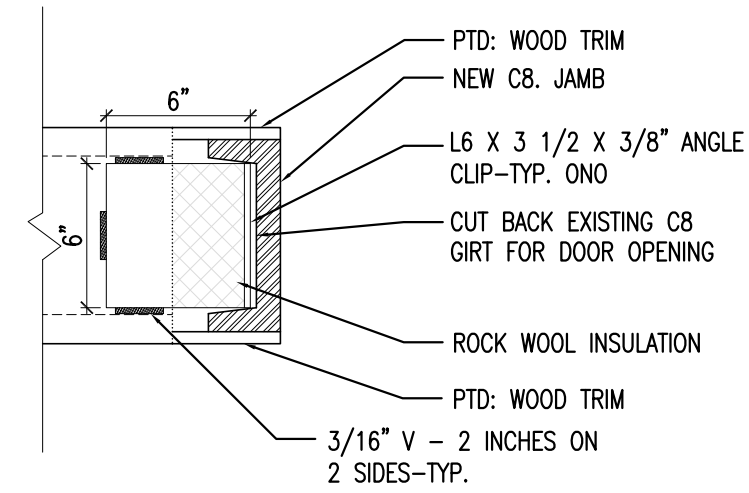
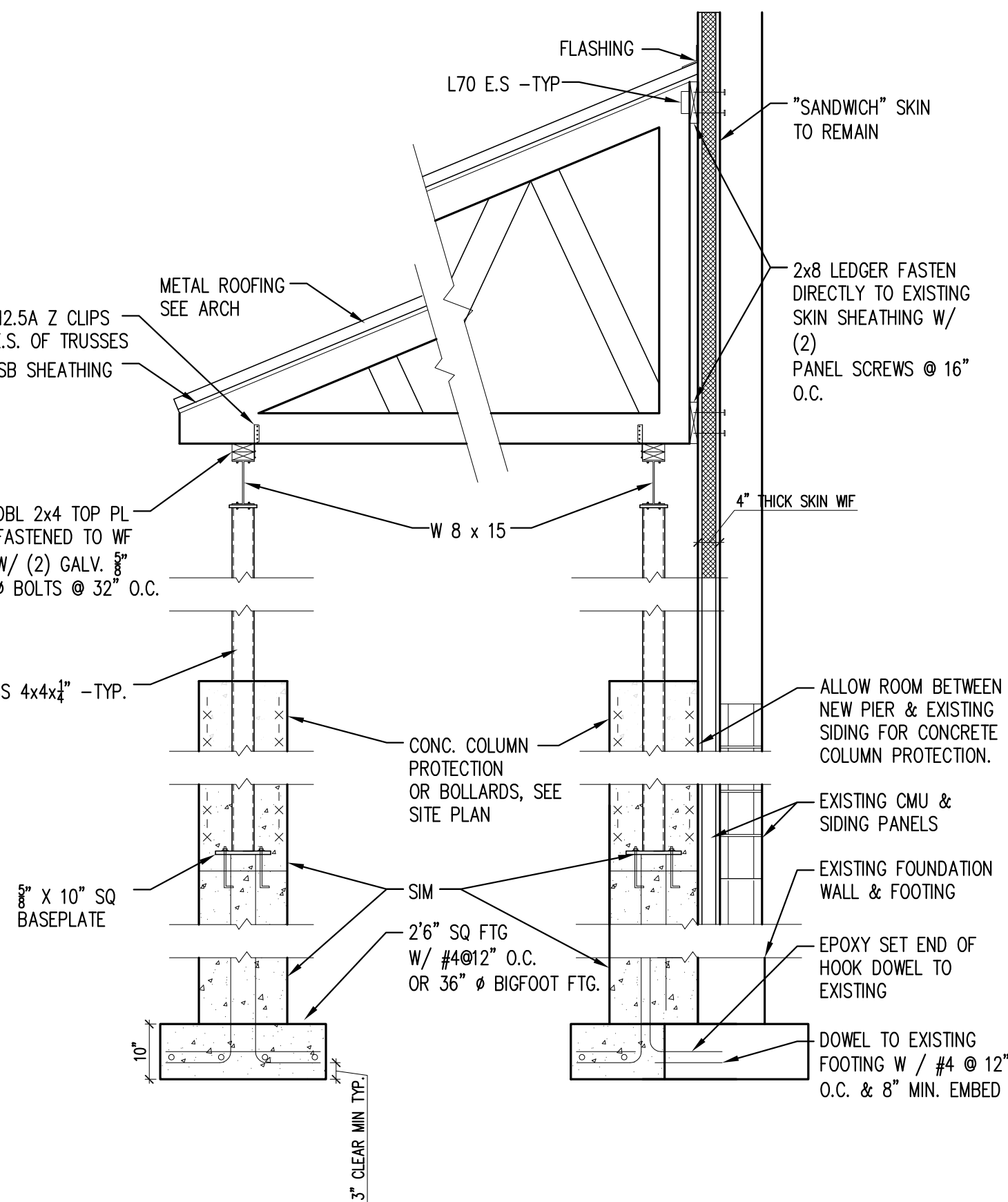


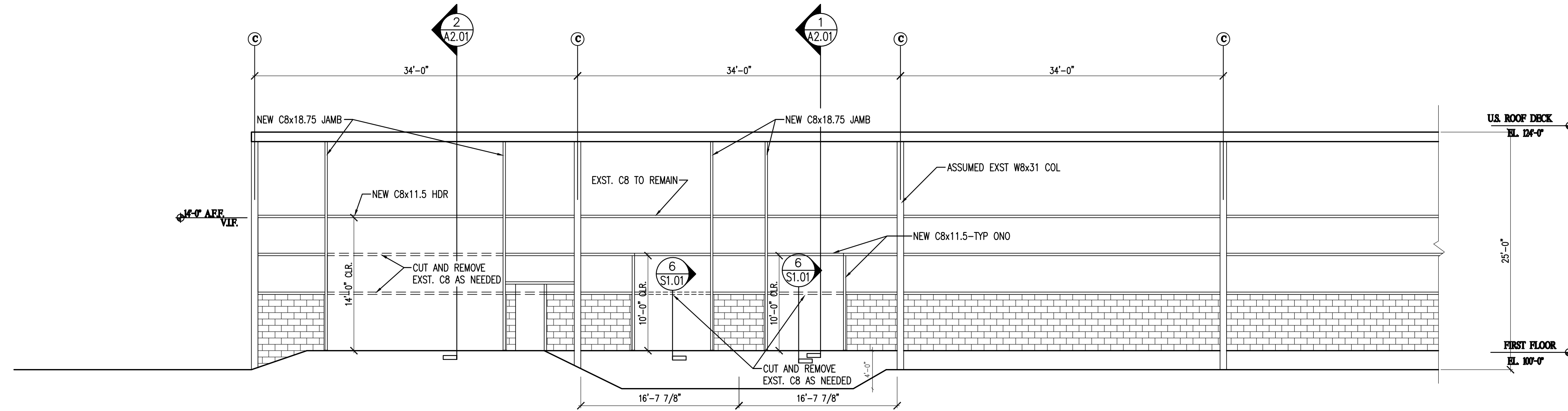
2 NEW C8 JAMB  
SCALE: 1-1/2"=1'-0"



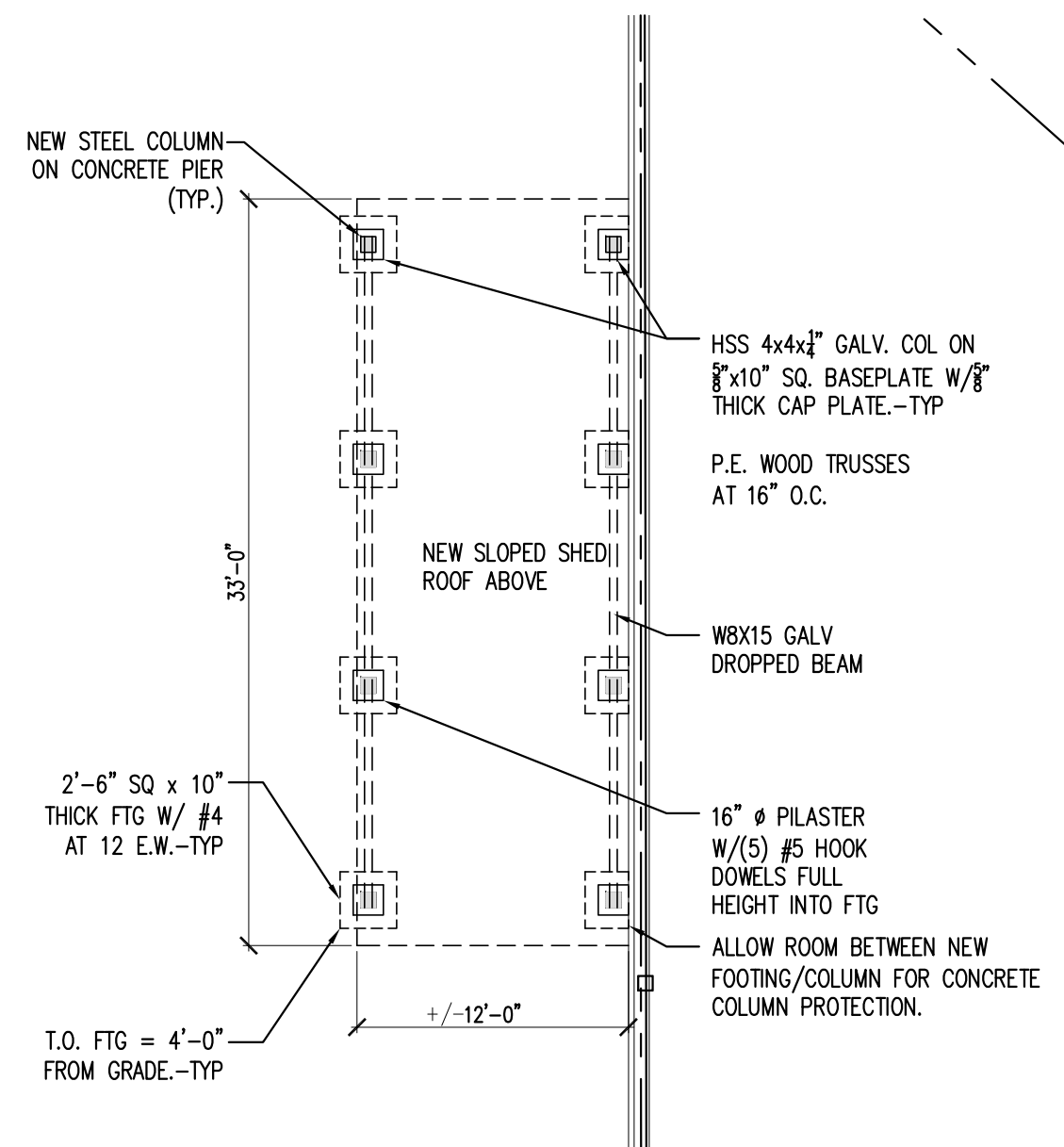
3 NEW C8 JAMB  
SCALE: 1-1/2"=1'-0"



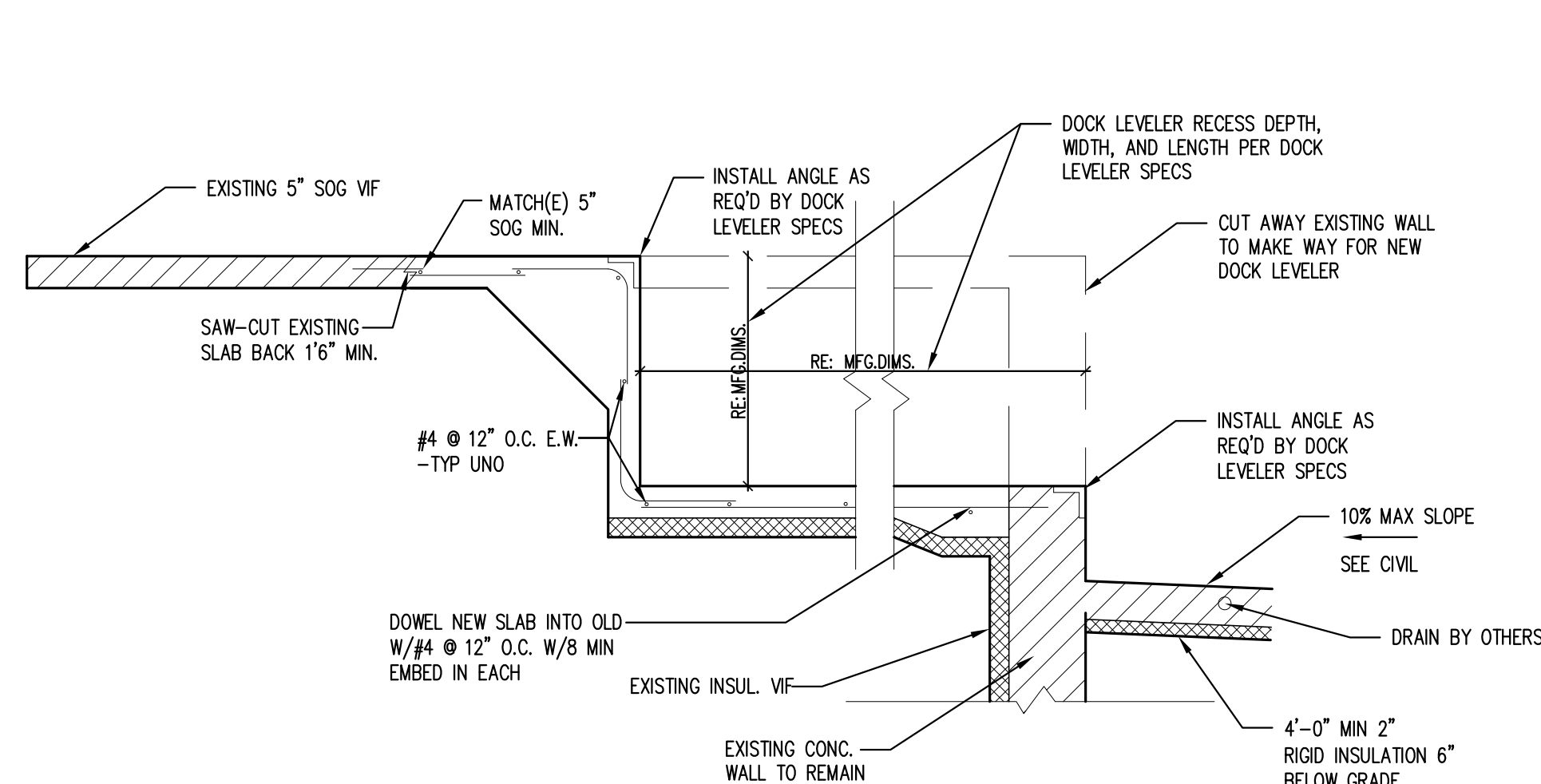
4 NEW SHED ROOF  
SCALE: 1/2"=1'-0"



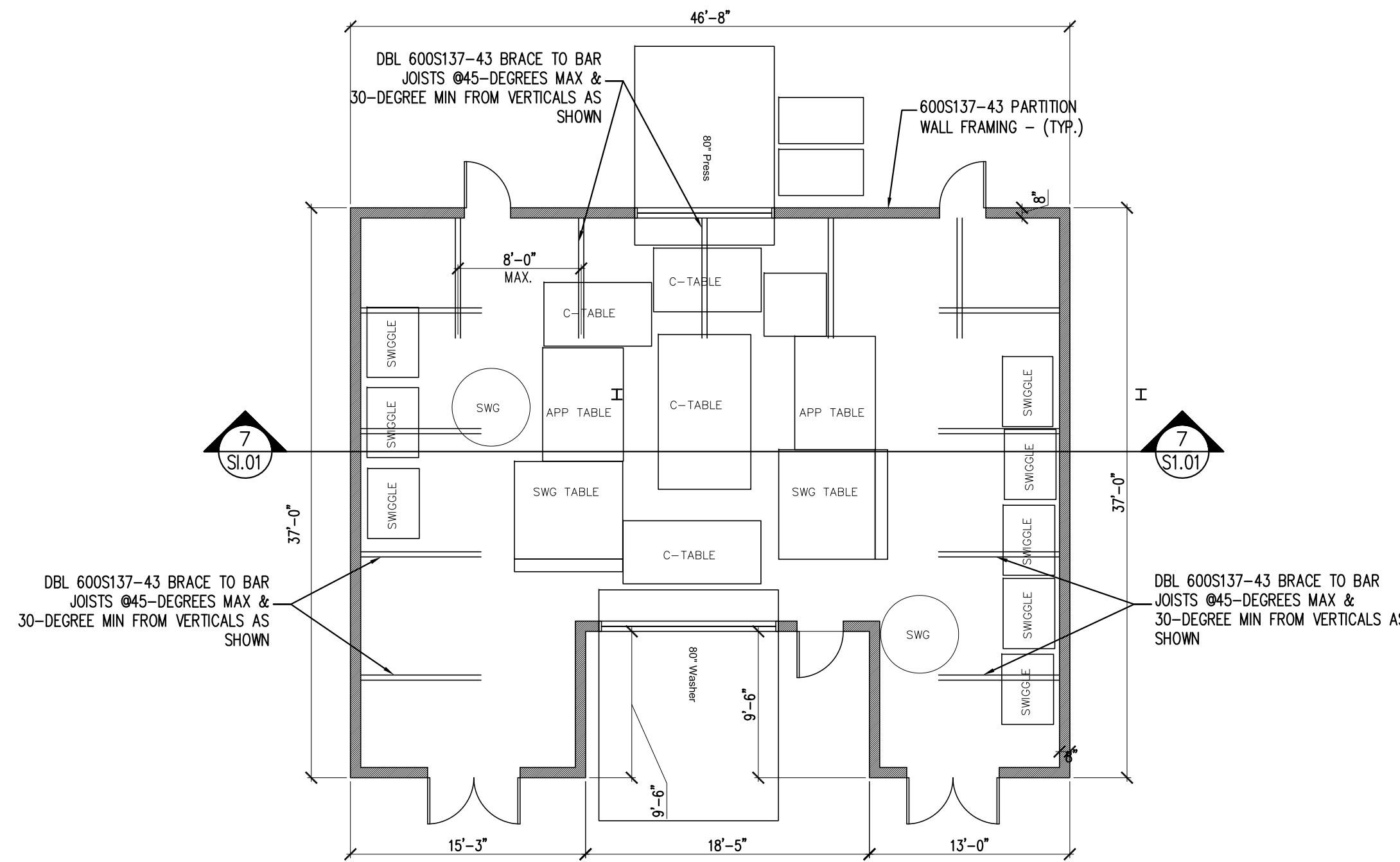
1 FRAMING ELEVATION  
SCALE: 1/8"=1'-0"



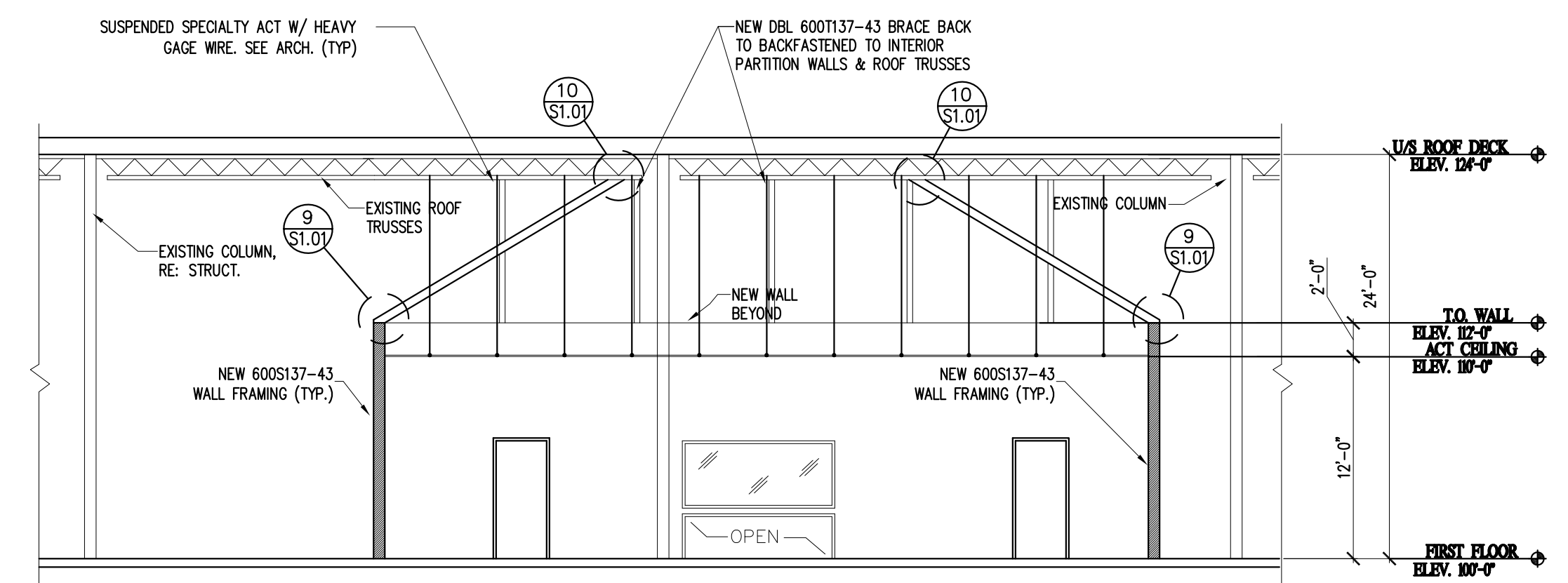
5 NEW SHED ROOF - FOUNDATION PLAN  
SCALE: 1/8"=1'-0"



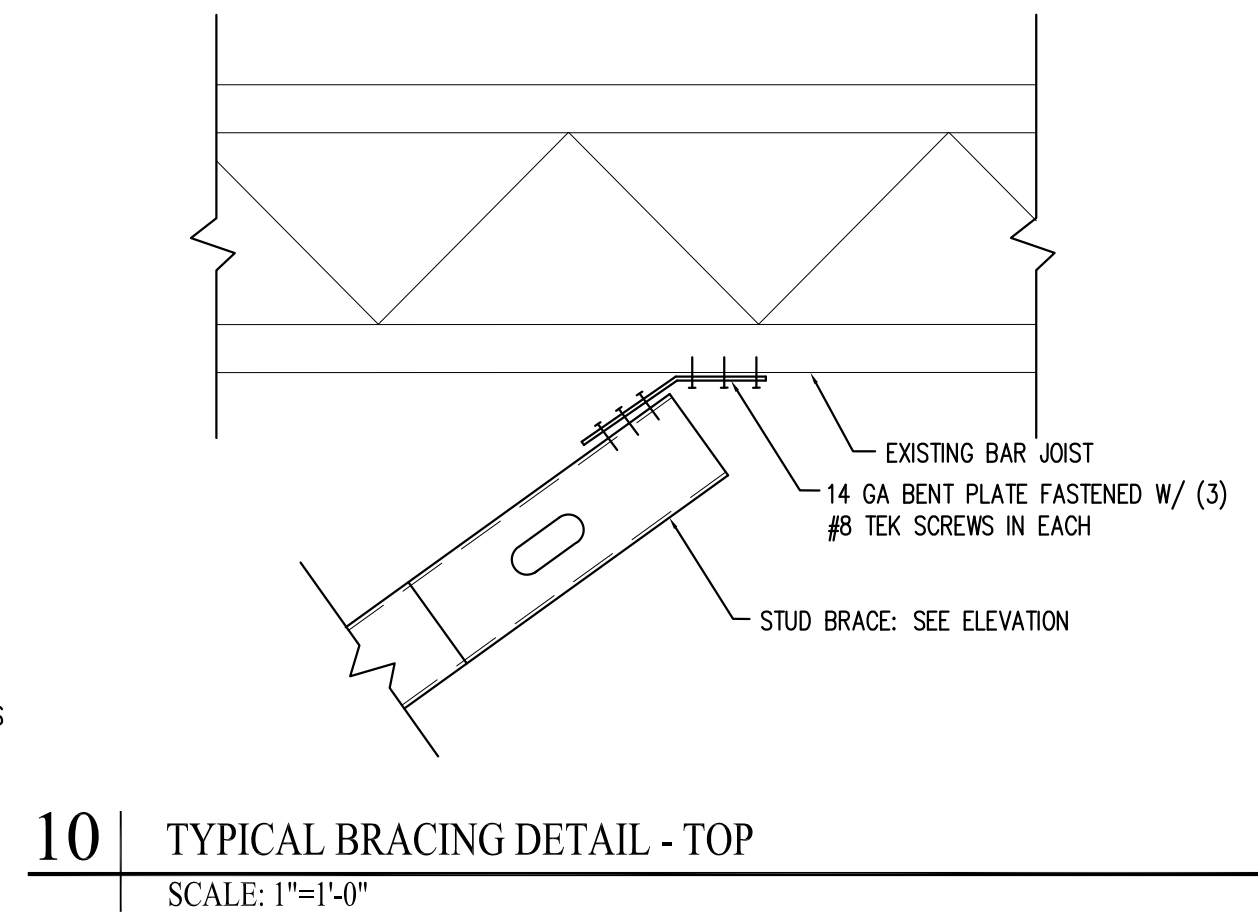
6 NEW LOADING DOCK  
SCALE: 1/2"=1'-0"



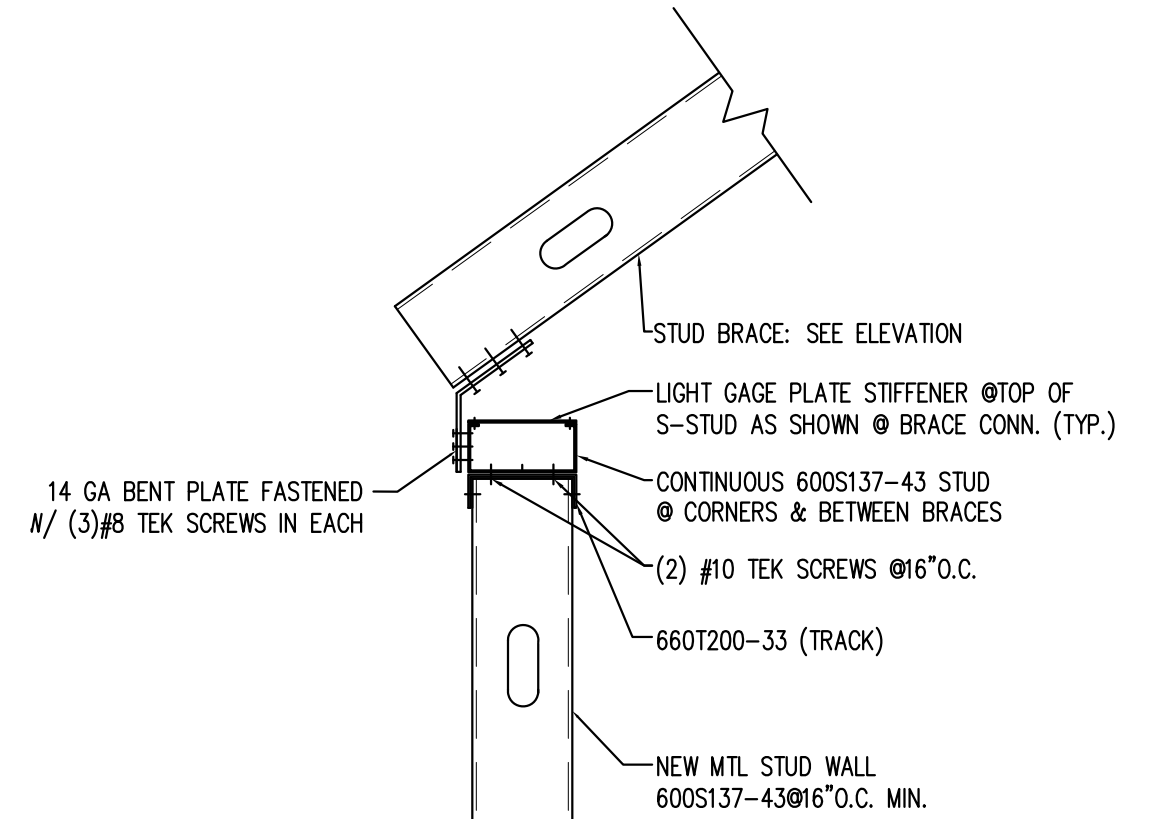
8 NEW GLASS PREP ROOM  
SCALE: 1/8"=1'-0"



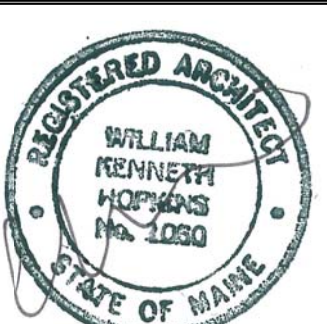
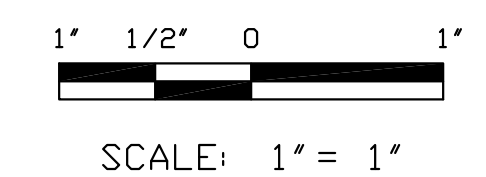
7 SECTION - GLASS PREP ROOM  
SCALE: 1/8"=1'-0"



10 TYPICAL BRACING DETAIL - TOP  
SCALE: 1"=1'-0"



9 TYPICAL BRACING DETAIL - BOTTOM  
SCALE: 1"=1'-0"



Prepared For:  
**Paradigm Windows**  
400 Riverside Industrial Parkway  
Portland, Maine 04103

Consulting Engineer:  
**Structural Integrity Consulting Engineers, Inc.**  
77 Oak Street  
Portland, ME  
(207) 774-4614

Architect:  
**ARCHETYPE architects**  
48 Union Wharf Portland, Maine 04101  
(207) 772-6022 Fax (207) 772-4056

Project:  
**PARADIGM WINDOWS RELOCATION**  
56 Milliken Street  
Portland, ME 04103

Revisions:

Scale: AS NOTED  
Date: 23 JULY 2013  
**STRUCTURAL DETAILS**

**S1.01**