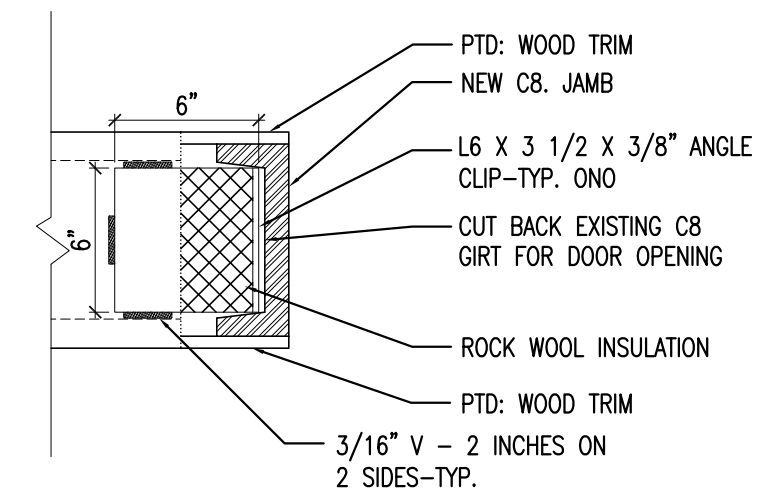
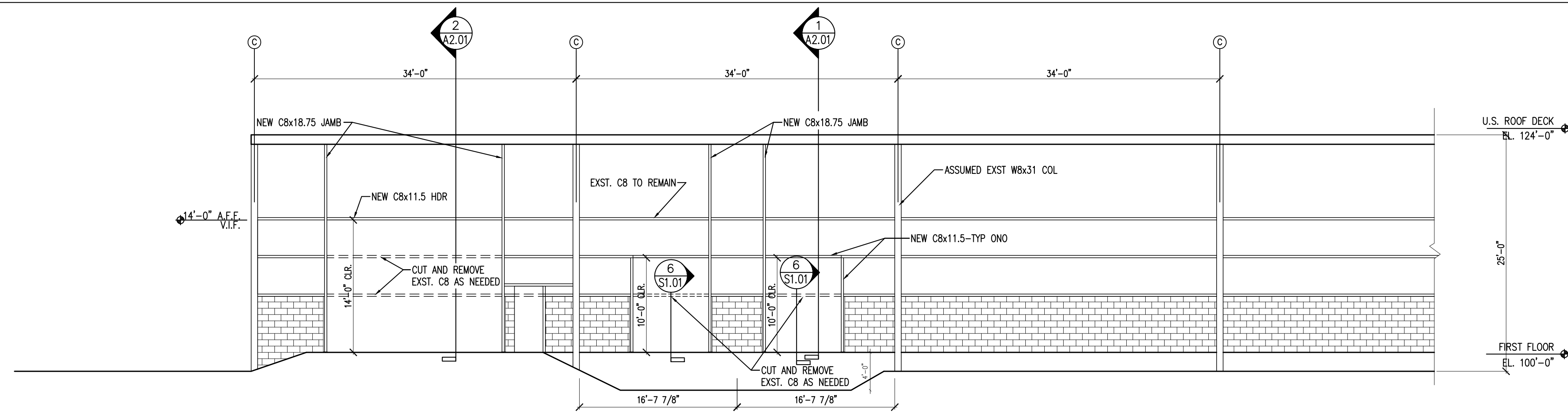


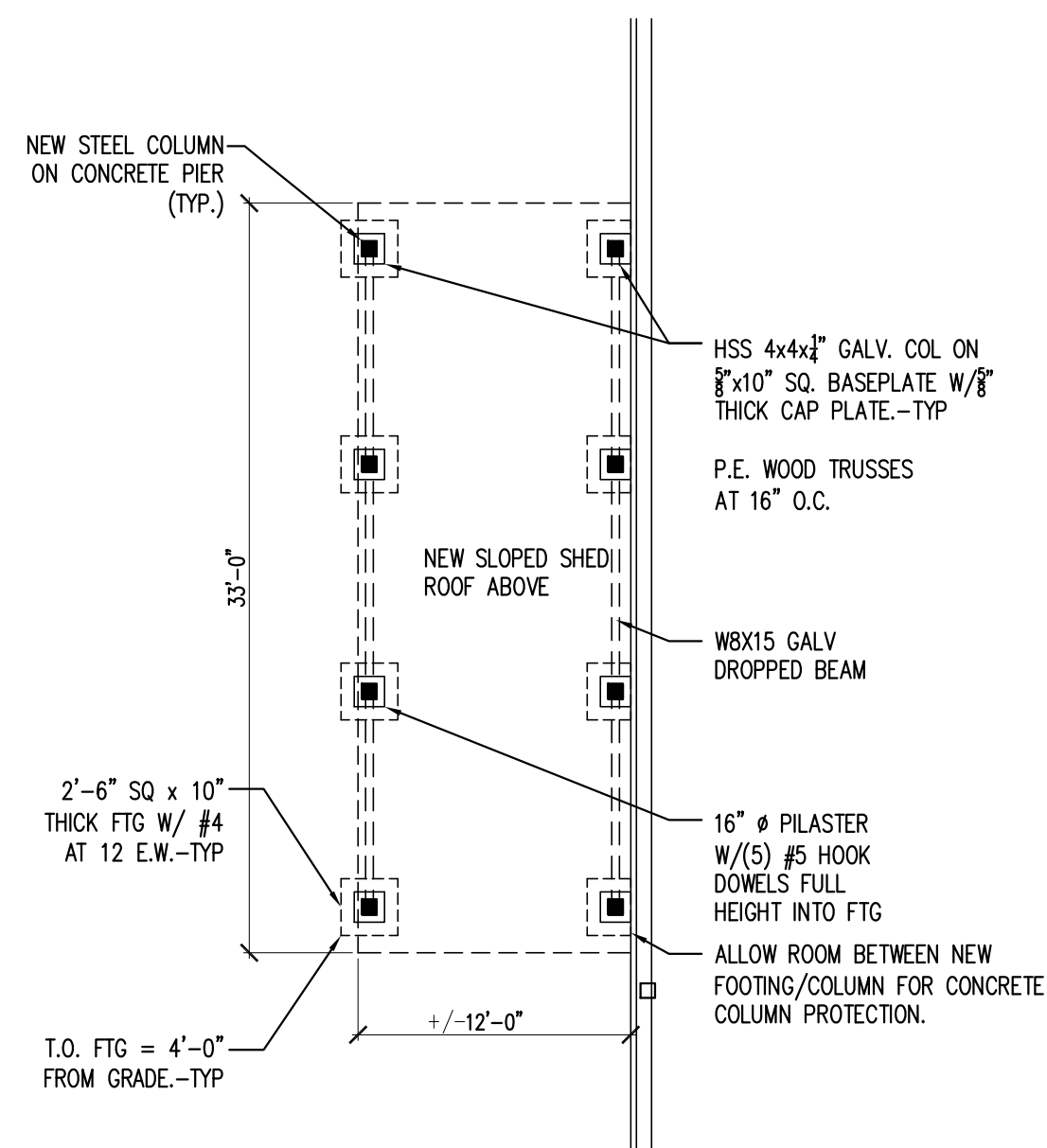
2 | NEW C8 JAMB
SCALE: 1-1/2"=1'-0"



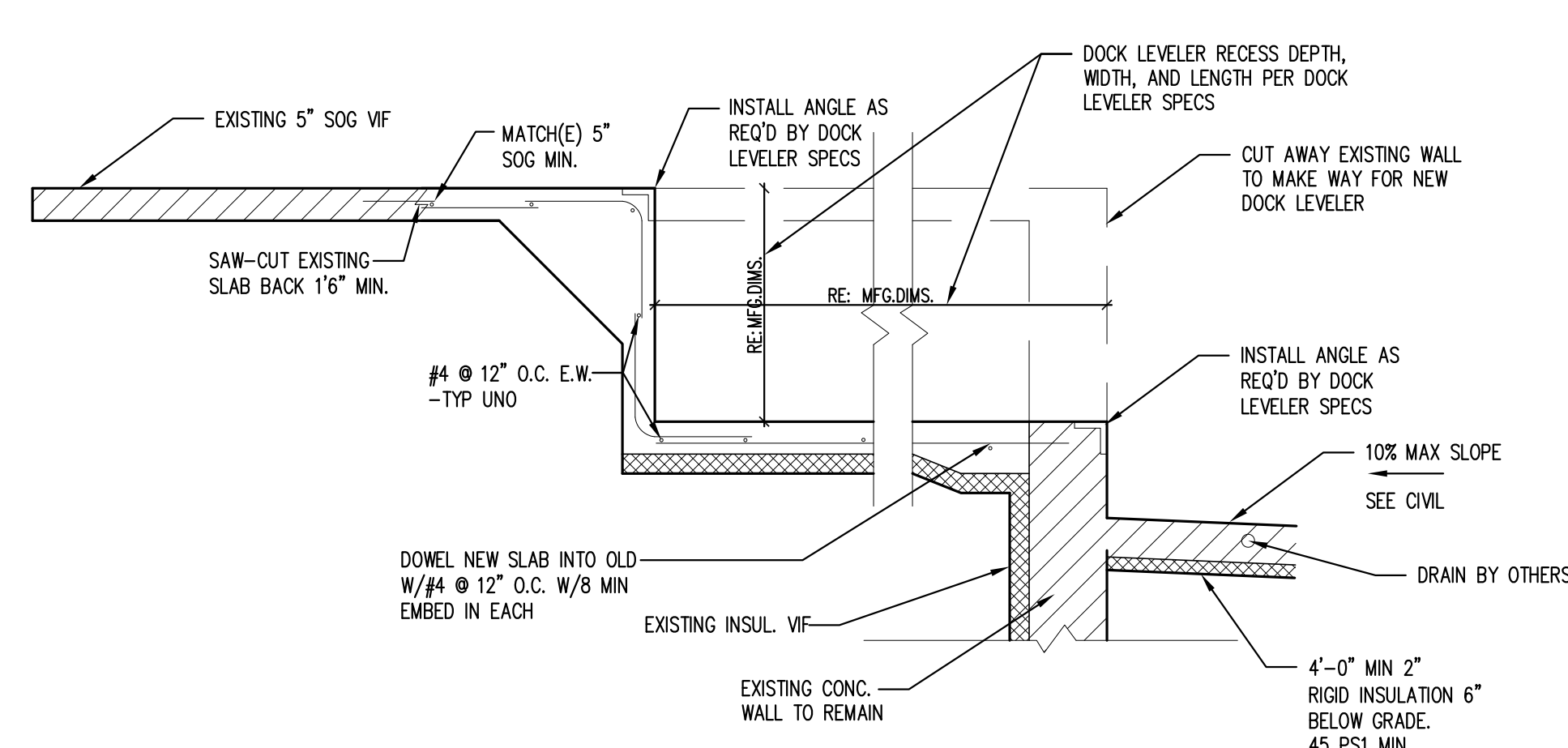
3 | NEW C8 JAMB
SCALE: 1-1/2"=1'-0"



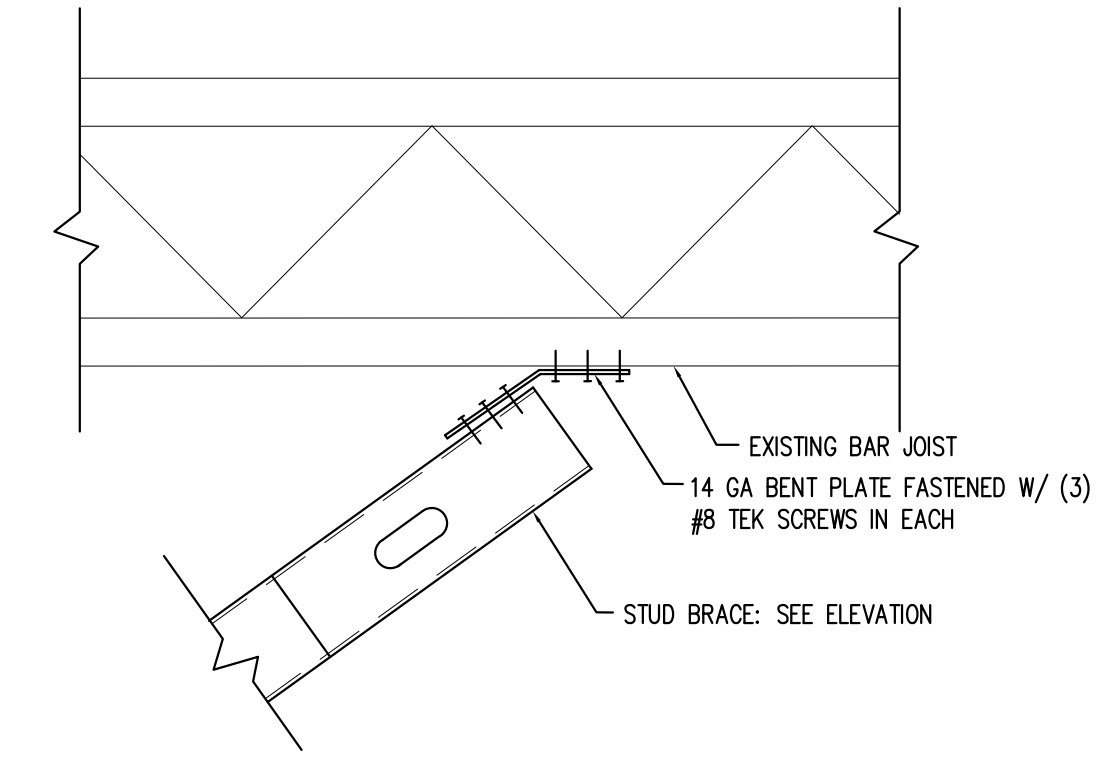
1 | FRAMING ELEVATION
SCALE: 1/8"=1'-0"



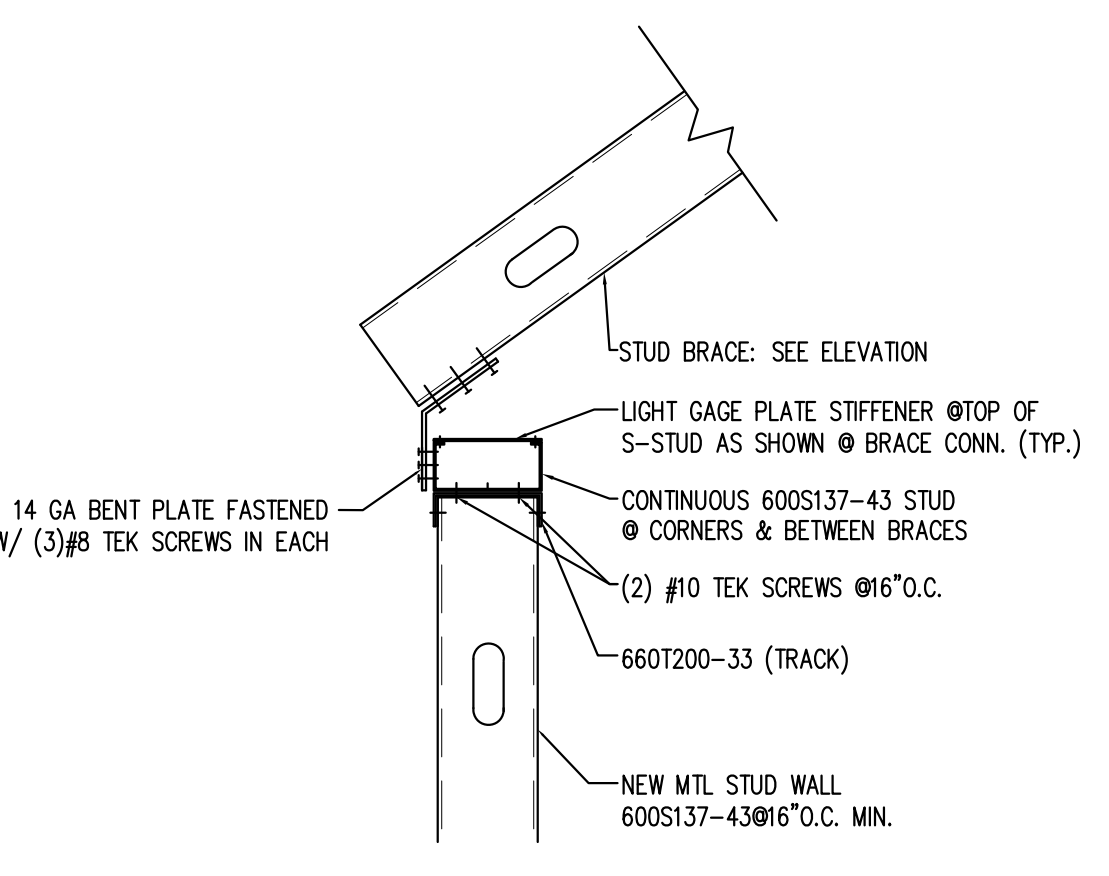
5 | NEW SHED ROOF - FOUNDATION PLAN
SCALE: 1/8"=1'-0"



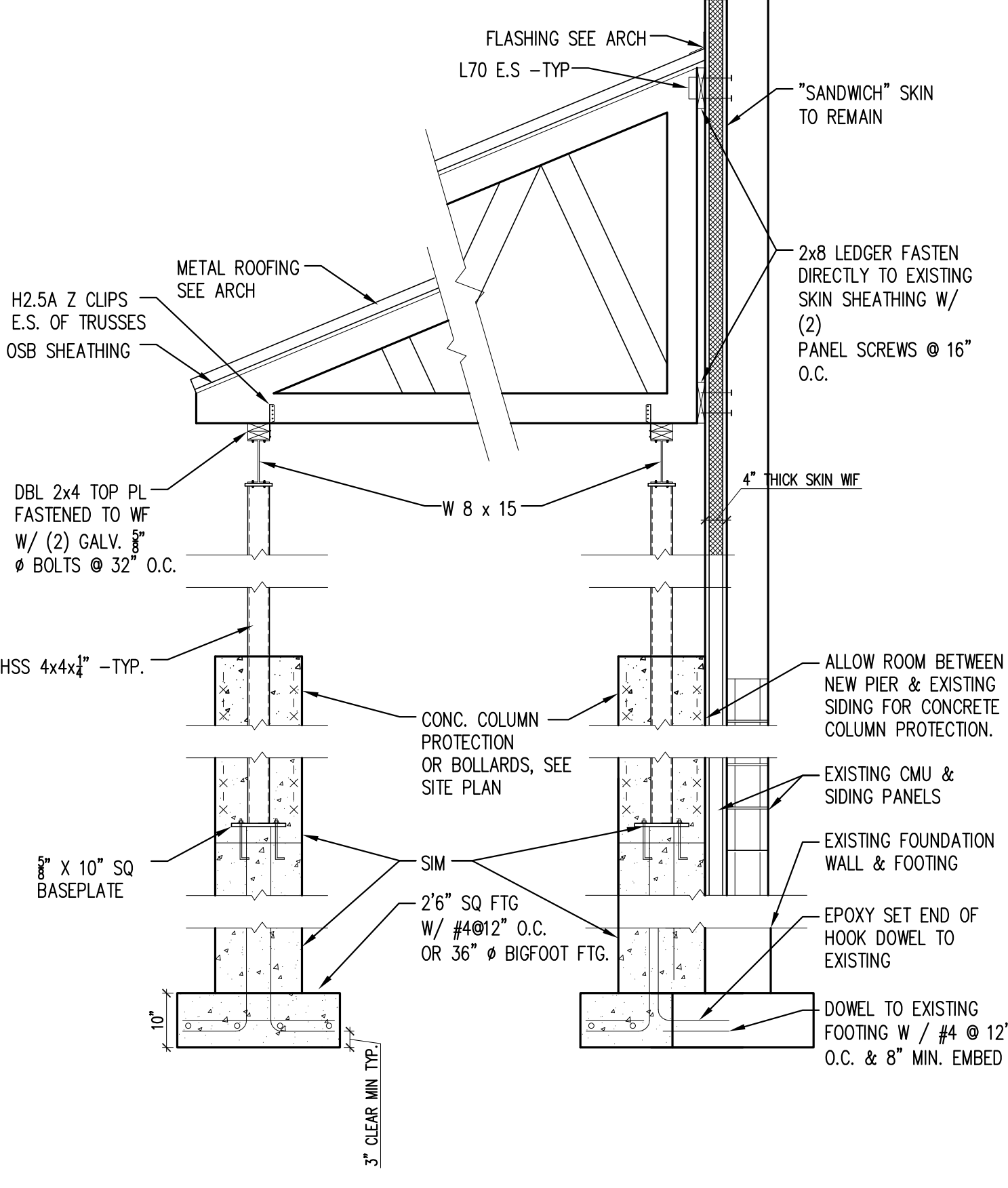
6 | NEW LOADING DOCK
SCALE: 1/2"=1'-0"



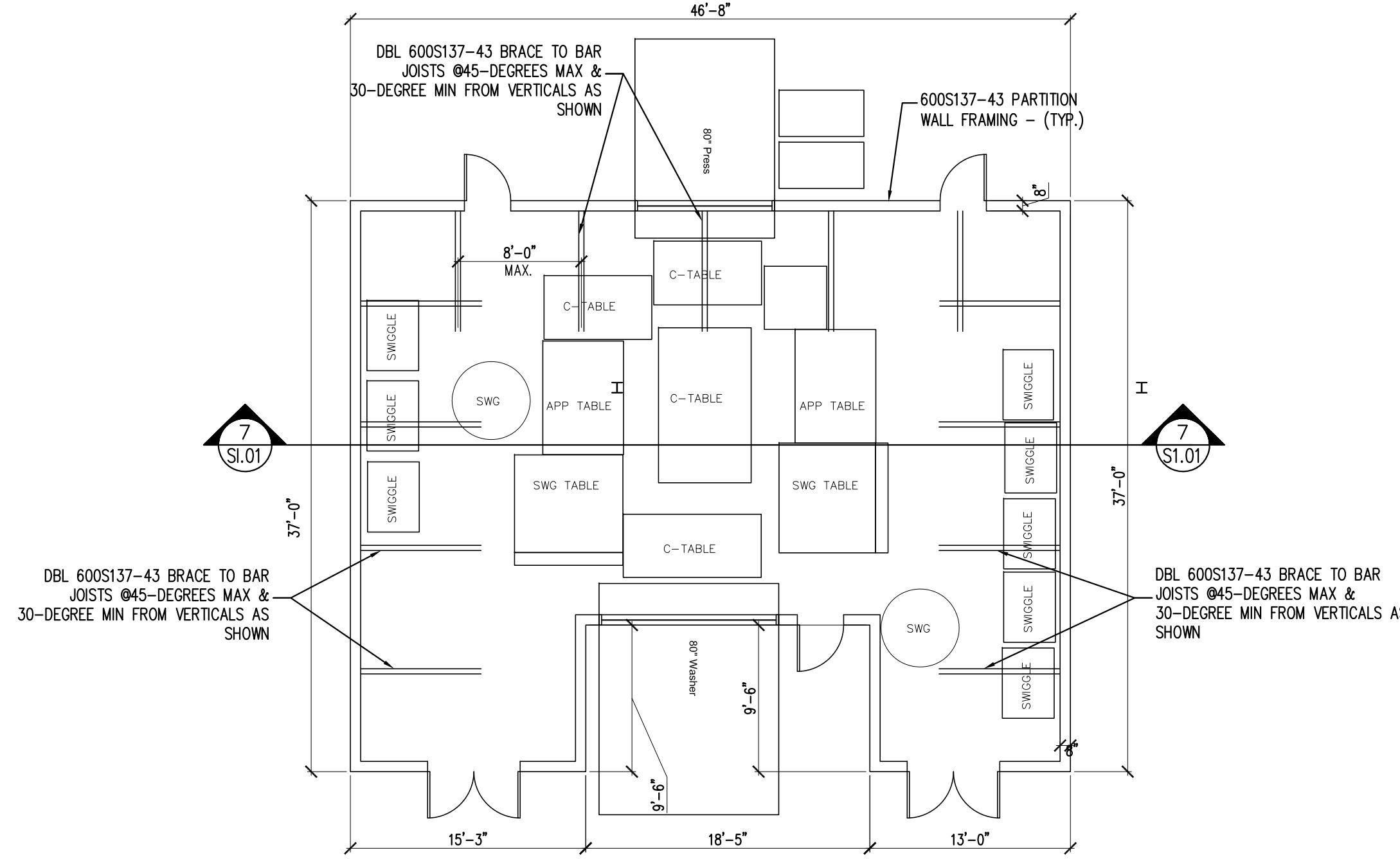
10 | TYPICAL BRACING DETAIL - TOP
SCALE: 1"=1'-0"



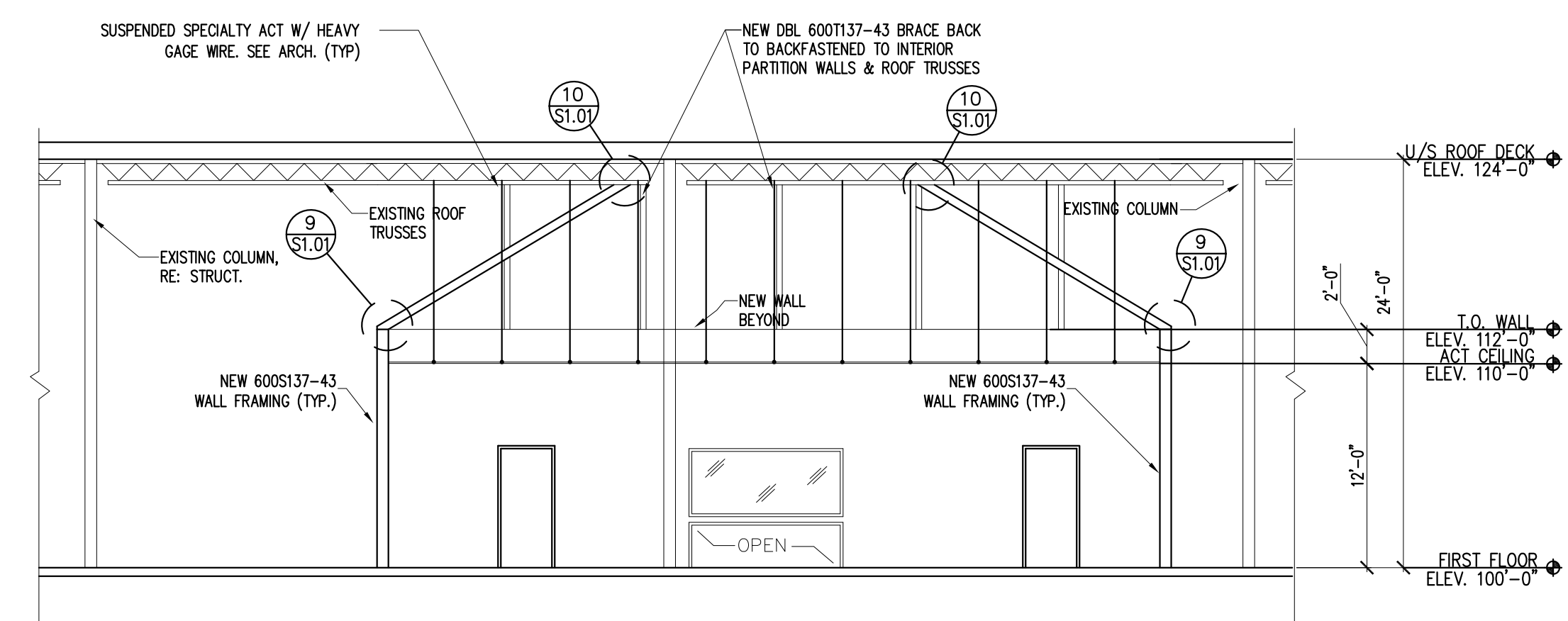
9 | TYPICAL BRACING DETAIL - BOTTOM
SCALE: 1"=1'-0"



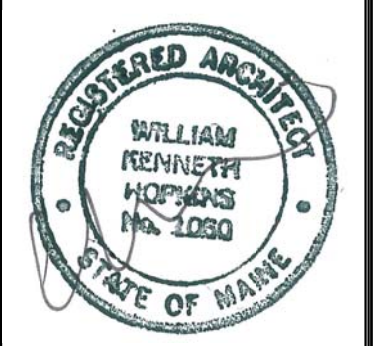
4 | NEW SHED ROOF
SCALE: 1/2"=1'-0"



8 | NEW GLASS PREP ROOM
SCALE: 1/8"=1'-0"



7 | SECTION - GLASS PREP ROOM
SCALE: 1/8"=1'-0"



Prepared For:
Paradigm Windows
400 Riverside Industrial Parkway
Portland, Maine 04103

Consulting Engineer:

ARCHETYPE architects
48 Union Wharf Portland, ME
(207) 774-8802 Fax (207) 772-4056

Architect:
PARADIGM WINDOWS RELOCATION
400 Riverside Industrial Parkway
Portland, ME 04103

Project:

Revisions:

Date: 23 JULY 2013
Scale: 1/8" = 1'-0"

STRUCTURAL DETAILS

S1.01