

City of Portland, Maine - Building or Use Permit Application

389 Congress Street, 04101 Tel: (207) 874-8703, Fax: (207) 874-8716

PERMIT ISSUED

Permit No: 05-0578	Issue Date: MAY 23 2005	CEL: 334 AD14001
-----------------------	----------------------------	---------------------

Location of Construction: 56 Milliken St	Owner Name: Kdjs Partners Llc	Owner Address: Po Box 4821	Phone:
Business Name:	Contractor Name: Ranor Inc	Contractor Address: PO Box 88 Jay	Phone: 2076455109
Lessee/Buyer's Name	Phone:	Permit Type: HVAC	Zone: I-M

Past Use: Commercial	Proposed Use: Commercial install 4 Trane Systems	Permit Fee: \$525.00	Cost of Work: \$55,554.00	CEO District: 5	
Install 4 Trane Systems		FIRE DEPT: <input checked="" type="checkbox"/> Approved <input type="checkbox"/> Denied Signature: JCK PFD 5-18-05	INSPECTION: Use Group: B/SI Type: HVAC 5/18/05 Signature: AMB 5/18/05		
PEDESTRIAN ACTIVITIES DISTRICT (P.A.D.)					
Action <input type="checkbox"/> Approved <input type="checkbox"/> Approved w/Conditions <input type="checkbox"/> Denied					
Signature			Date		

Permit Taken By: dmartin	Date Applied For: 05/12/2005	Zoning Approval		
------------------------------------	--	------------------------	--	--

<p>1. This permit application does not preclude the Applicant(s) from meeting applicable State and Federal Rules.</p> <p>2. Building permits do not include plumbing, septic or electrical work.</p> <p>3. Building permits are void if work is not started within six (6) months of the date of issuance. False information may invalidate a building permit and stop all work..</p>	<p>Special Zone or Reviews</p> <p><input type="checkbox"/> Shoreland</p> <p><input type="checkbox"/> Wetland</p> <p><input type="checkbox"/> Flood Zone</p> <p><input type="checkbox"/> Subdivision</p> <p><input type="checkbox"/> Site Plan</p> <p>Maj <input type="checkbox"/> Minor <input type="checkbox"/> MM <input type="checkbox"/></p> <p>Date: AMB 5/18/05</p>	<p>Zoning Appeal</p> <p><input type="checkbox"/> Variance</p> <p><input type="checkbox"/> Miscellaneous</p> <p><input type="checkbox"/> Conditional Use</p> <p><input type="checkbox"/> Interpretation</p> <p><input type="checkbox"/> Approved</p> <p><input type="checkbox"/> Denied</p> <p>Date:</p>	<p>Historic Preservation</p> <p><input checked="" type="checkbox"/> Not in District or Landmark</p> <p><input type="checkbox"/> Does Not Require Review</p> <p><input type="checkbox"/> Requires Review</p> <p><input type="checkbox"/> Approved</p> <p><input type="checkbox"/> Approved w/Conditions</p> <p><input type="checkbox"/> Denied</p> <p>Date: AMB</p>
---	--	--	---

CERTIFICATION

I hereby certify that I am the owner of record of the named property, or that the proposed work is authorized by the owner of record and that I have been authorized by the owner to make this application as his authorized agent and I agree to conform to all applicable laws of this jurisdiction. In addition, if a permit for work described in the application is issued, I certify that the code official's authorized representative shall have the authority to enter all areas covered by such permit at any reasonable hour to enforce the provision of the code(s) applicable to such permit.

SIGNATURE OF APPLICANT	ADDRESS	DATE	PHONE
RESPONSIBLE PERSON IN CHARGE OF WORK, TITLE		DATE	PHONE



FILL IN AND SIGN WITH INK

334 A 014

APPLICATION FOR PERMIT HEATING OR POWER EQUIPMENT

tx okay!

To the INSPECTOR OF BUILDINGS, PORTLAND, ME.

The undersigned hereby applies for a permit to install the following heating, cooking or power equipment in accordance with the Laws of Maine, the Building Code of the City of Portland, and the following specifications:

Location / CBL 334 A 14 Use of Building WAREHOUSE Date 5-6-05
 Name and address of owner of appliance BARBER FOODS 56 MILIKEN
RIVERTON INDUSTRIAL PARK WAY
 Installer's name and address RANOR, INC
P.O. BOX 88 JAY, ME. 04239 Telephone 207 645-5109

Location of appliance:

- Basement Floor
 Attic Roof

Type of Fuel:

- Gas Oil Solid

Appliance Name: TRANE RTU'S (4)

U.L. Approved Yes No

Will appliance be installed in accordance with the manufacture's installation instructions? Yes No

IF NO Explain: _____

The Type of License of Installer:

- Master Plumber # _____
 Solid Fuel # _____
 Oil # _____
 Gas # PNT 2425
 Other _____

Type of Chimney:

- Masonry Lined
 Factory built _____
 Metal
 Factory Built U.L. Listing # _____
 Direct Vent
 Type _____ III # _____

Type of Fuel Tank

- Oil
 Gas

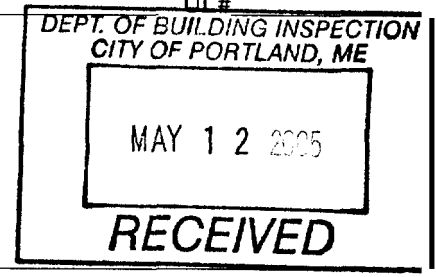
Size of Tank _____

Number of Tanks _____

Distance from Tank to Center of Flame _____ feet.

Cost of Work: \$ 55,554.⁰⁰

Permit Fee: \$ 100



Approved

Fire: _____
 Ele.: _____
 Bldg.: _____

Approved with Conditions

- See attached letter or requirement

Inspector's Signature _____

Date Approved _____

Signature of Installer Michel Marquis

Ranor, Inc.

Mechanical Contractors
P.O. Box 88
Jay, ME 04239

Phone: (207) 645-5109
Fax: (207) 645-5108
E-mail: ran6r@ranormeeh.com

Fax Transmittal

Date: 5-13-05

Send To: _____

From: Crystal

Subject: Barber Foods 56 Miliken Rd.

Fax # Sent To: 874-8716

Attention: Donna

Pages Sent: 25 Including Cover

Message:

Roof top Unit specs.

Reply:

From: Mike Costain [mcostain@foodtechstructures.com]

Sent: Monday, May 09, 2005 11:26 AM

To: ranor@ranormech.com

Subject: Barber Foods Permits

I spoke with Michael Nugent in the Inspections Department this morning regarding the letter you requested me to write for the mechanical permit. He is satisfied that the complete set of mechanical drawings previously submitted with the building permit application are sufficient and that an additional letter or drawing is not required. Please let me know if there is any further problem in obtaining the mechanical permit.

Michael D. Costain

Construction Manager

Food Tech Structures, LLC

Tel: 207 878-6523

Cell: 617 513-4512

email: mcostain@foodtechstructures.com

15 Ton Packaged Unitary Gas/Elec Rooftop - Dedicated

Job Information

Barber Foods Milliken Warehouse



Unit

Tag	RTU-1, RTU-3
Quantity	1
Model number	YFD181C4LR
Product Type	Product Type
Airflow Configuration	Downflow
Three Phase Cooling Capacity	181C: 15 T, Hi. Efficiency
Electrical Characteristics	460/60/3
Standard Factory Installed Options	Dwnfl econ, reheat coil
Design airflow	5000 cfm
Elevation	
Min. unit operating weight	2005.0 lb
Max. unit operating weight	2414.0 lb

Motor/Electrical Information*

Electrical Characteristics	460/60/3
ESP	1.00 in H2O
Indoor mtr operating power	2.85 bhp
Indoor rpm	743 rpm
Indoor motor power	2.62 kW
Outdoor motor power	1.12 kW
Compressor power	12.95 kW
System power	16.69 kW
Operating EER	
SEER/EER @ ARI	11.5 EER
IPLV @ ARI	13.3 IPLV
MCA	36.00 A
MFS or Max Circuit Breaker	50.00 A
Compressor motor 1 RLA	15.10 A
Compressor motor 2 RLA	8.20 A
Evaporator fan FLA	4.80 A
Condenser fan count	2.00 Each
Condenser fan FLA	1.60 A

Heatwheel unit	
Htwhl efficiency factor	
Htwhl gross total capacity	
Htwhl gross sensible capacity	
Htwhl net total capacity	
Htwhl total htg capacity	
Htwhl total power	
Htwhl w/unit gross total cap	
Htwhl w/unit gross sensible cap	
Htwhl w/unit net total cap	
Htwhl w/unit total htg cap	

Output htg capacity w/fan	210.26 MBh
Heating EAT	52.00 F

* Electrical values provided are estimated only and are subject to change without notice and may differ from nameplate values. Field installed low or high static drive kits may be needed. Please check the fan performance tables in the product catalog for application ranges.

Unit Dimensions - Packaged Gas/Electric Rooftop Units
Item: A1, A2 Qty: 2 Tag(s): RTU-I, RTU-3

ELECTRICAL / GENERAL DATA

GENERAL PERFORMANCE			
Tons:	15	Standard Motor	
Unit Operating Voltage Range:	414-505	Minimum Circuit Ampacity:	36.0
Unit Primary Voltage:	480	Maximum Fuse Size:	60.0
Unit Secondary Voltage:		Maximum (HACR) Circuit Breaker:	60.0
Unit Hertz:	60	Oversized Motor	
Unit Phase:	3	MCA:	39.0
EER:	11.5	MFS:	50.0
		MCB (HACR):	39.0
		Field Installed Oversized Motor	
		MCA:	N/A
		MFS:	N/A
		MCB (HACR):	N/A

GAS HEATING		COMPRESSOR	
Heating Models	Low	Circuit #1	Circuit #2
Heating Input (Btu/h)	250,000	Number:	1
Heating Output (Btu/h):	203,000	Horsepower:	6.3
	1st Stage Input: 175,000	PHASE:	3
	1st Stage Output: 142,000	Rated Load Amps:	13.8
Min./Max. Gas Input -		Locked Rotor Amps:	100.0
Pressure: Natural or LP:	2.50 / 14.00		
Gas Connection Pipe Size:	1/2"		

INDOOR MOTOR		OUTDOOR MOTOR	
Number:	1	Number:	2
Horsepower:	3.00	Horsepower:	.50
Motor Speed (RPM):	1,740	Motor speed (RPM):	1,100
Phase:	3	Phase:	1
Full Load Amps:	4.8	Full Load Amps:	1.6
Locked Rotor Amps:	40.5	Locked Rotor Amps:	3.8
	Field Installed Oversized Motor		
	Number:		
	Hp:		
	Motor Speed (RPM):		
	Phase:		
	FLA:		
	LRA:		

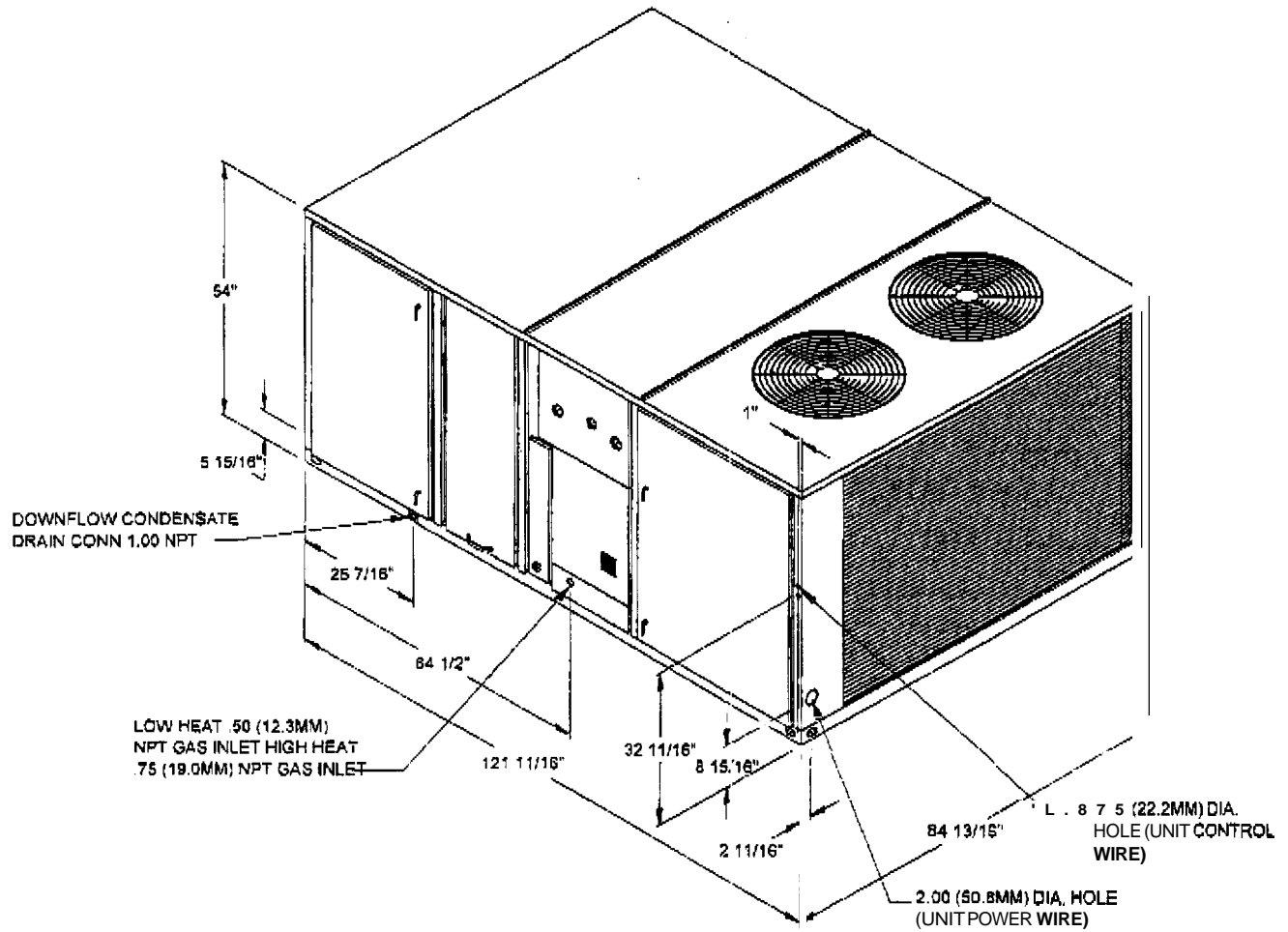
POWER EXHAUST		COMBUSTION BLOWER MOTOR	
(Field Installed Power Exhaust)		(Gas-Fired Heating Only)	
Horsepower:	N/A	Horsepower:	.10
Motor Speed (RPM)	N/A	Motor Speed (RPM)	2,800
Phase:	N/A	Phase:	/
Full Load Amps	N/A	Full Load Amps:	.80
Locked Rotor Amps	N/A	Locked Rotor Amps	

FILTER		REFRIGERANT	
Type:	Throwaway	Circuit #1	Circuit #2
Furnished:	Yes	Type:	R-22
Number:	214	Factory Charge:	25.0
Recommended Size:	20"x20"x2" / 20"x25"x2"		

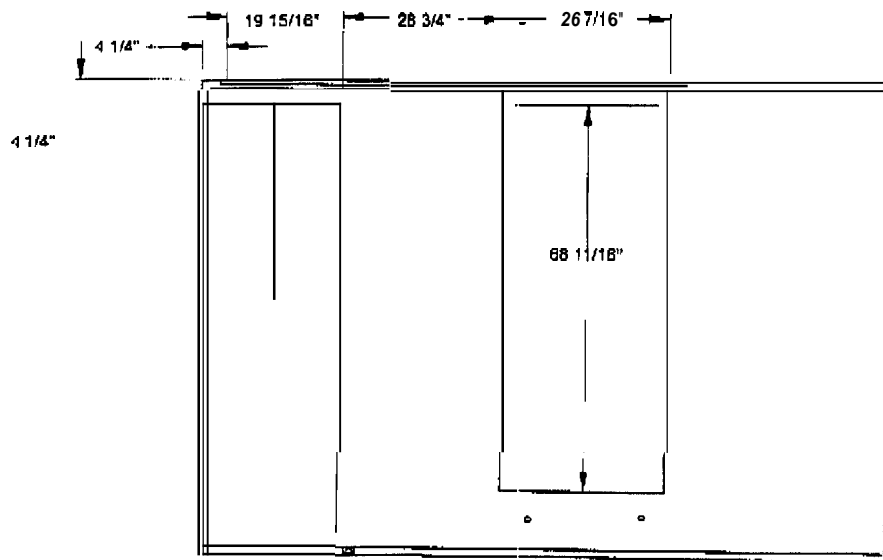
NOTES

1. Maximum (HACR) Circuit Breaker sizing is for installations in the United States only.
2. Refrigerant charge is an approximate value. For a more precise value, see unit nameplate and service instructions.
3. Value does not include Power Exhaust Accessory.
4. Value includes oversized motor.
5. Value does not include Power Exhaust Accessory.
6. EER is rated at ARI conditions and in accordance with DOE test procedures.

Unit Dimensions - Packaged Gas/Electric Rooftop Units
 Item: A1, A2 Qty: 2 Tag(s): RTU-1, RTU-3

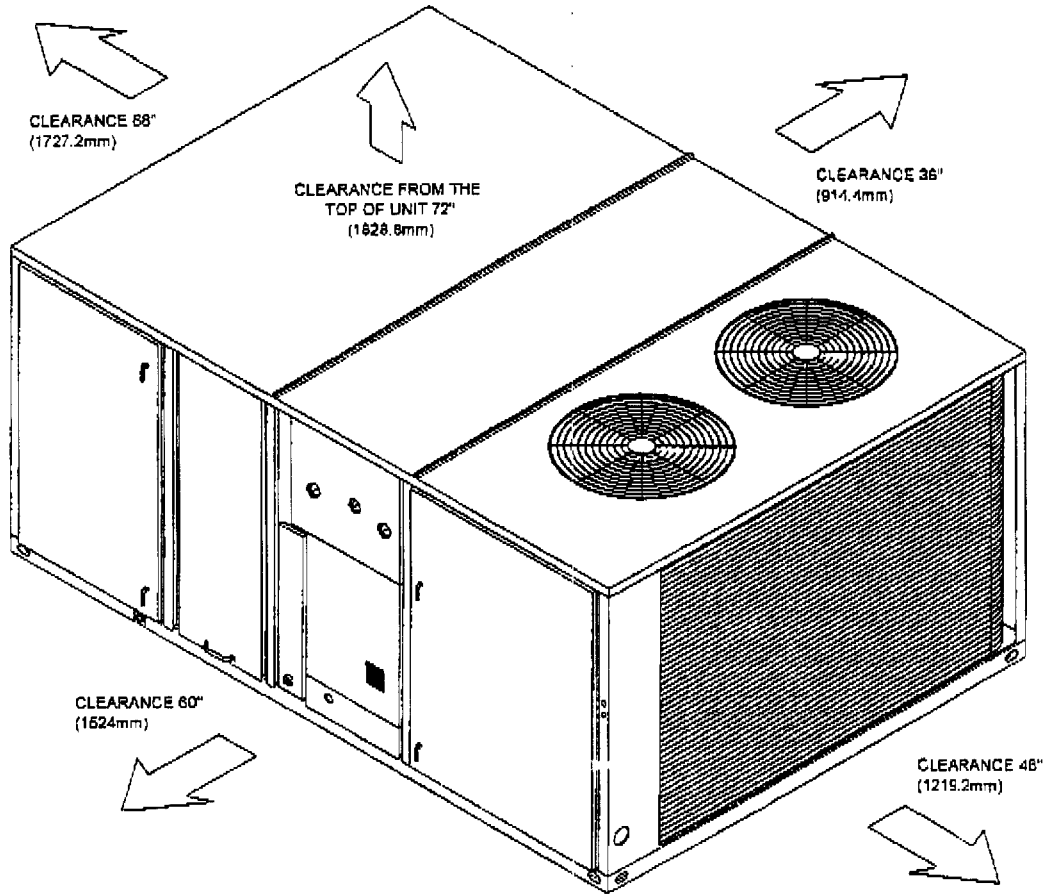


DOWNFLOW ISOMETRIC-PACKAGED GAS/ELECTRIC

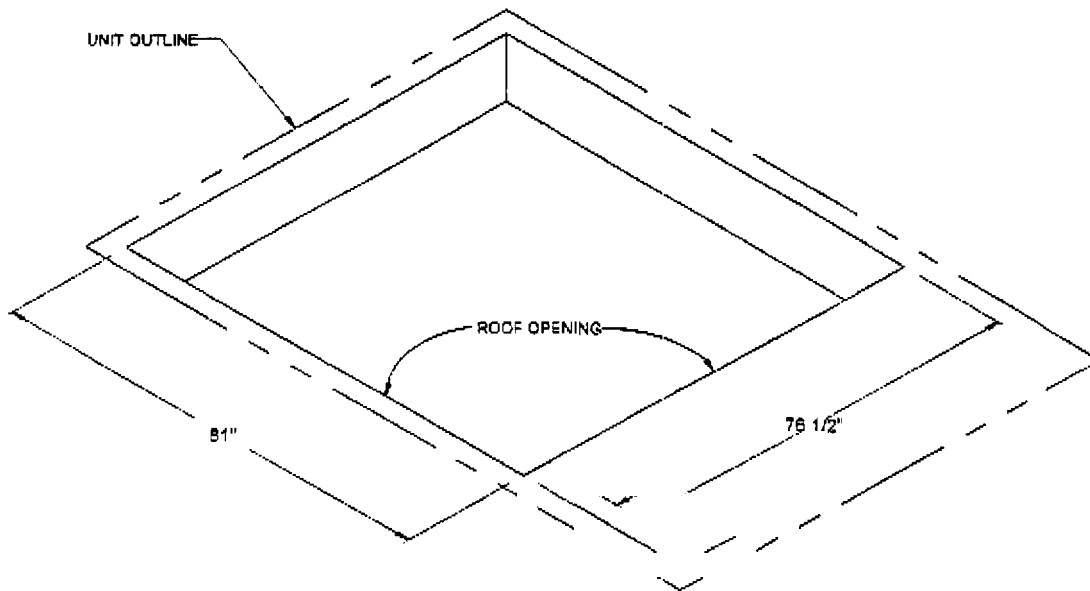


DOWNFLOW-PENATRATION

Weight, Clearance & Rigging Diagram - Packaged Gas/Electric Rooftop Units
Item: A1, A2 Qty: 2 Tag(s): RTU-1, RTU-3



DOWNFLOW-PACKAGED GAS/ELECTRIC CLEARANCE

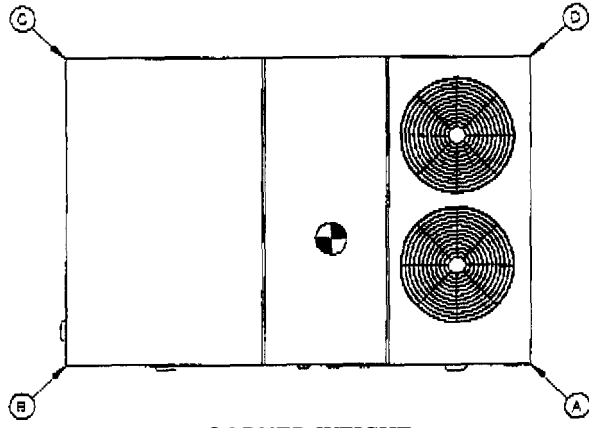


DOWNFLOW-PACKAGED GAS/ELECTRIC ROOF OPENING CLEARANCE

Weight, Clearance & Rigging Diagram - Packaged Gas/Electric Rooftop Units
 Item: A1, A2 Qty: 2 Tag(s): RTU-I, RTU-3

INSTALLED OPTIONS NET WEIGHT DATA

Accessory	Accessory
Economizer	
Motorized Outside Air Damper	
Manual Outside Air Damper	
Oversized Motor	
High Efficiency Motor	
High Static Drive	
Thru the Base Electrical	
Unit Mounted Circuit Breaker	
Unit Mounted Disconnect	
Power Exhaust	
Hinged Doors	
Zone Sensor	
LPG Conversion Kit	
Powered Convenience Outlet	
Roof Curb	



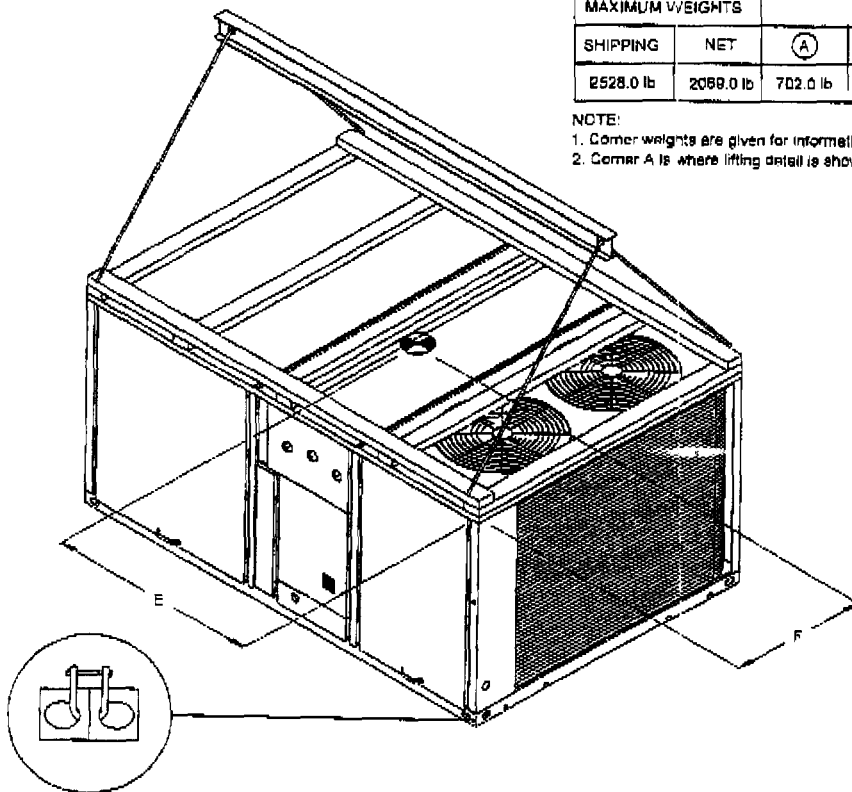
CORNER WEIGHT

- Notes:
 1. To estimate shipping weight: add 5 lbs to net weight.
 2. Net weight should be added to unit weight when ordering factory installed accessories.
 3. Weights for options not listed are >5 lbs.

WIGHT AND RIGGING

MAXIMUM WEIGHTS		CORNER WEIGHTS				CENTER OF GRAVITY	
SHIPPING	NET	A	B	C	D	E	F
2528.0 lb	2089.0 lb	702.0 lb	520.0 lb	361.0 lb	488.0 lb	52"	35"

- NOTE:
 1. Corner weights are given for information only.
 2. Corner A is where lifting detail is shown. Corners B, C, and D are in a clockwise direction.



RIGGING AND CENTER OF GRAVITY

5 Ton Precedent™ Convertible Packaged Rooftop (Y_C)

Job Information

Barber Foods Milliken Warehouse



Unit Information

Tag	RTU-4
Quantity	1
Model number	YHC060
Unit Function	DX cooling, gas heat
Unit Efficiency	High efficiency
Airflow	Convertible configuration
Voltage	460/60/3
Design airflow	1975 cfm
Elevation	
Airflow application	Downflow
Min. unit operating weight	522.0 lb
Max. unit operating weight	741.0 lb

Cooling LDB	57.85 F
Cooling LWB	48.98 F
Gross total capacity	61.10 MBh
Gross sensible capacity	61.10 MBh
Gross latent capacity	0.00 MBh
Net total capacity	57.07 MBh
Net sensible capacity	57.07 MBh
Net sensible heat ratio	1.00 Number
Evaporator face area	7.71 sq ft
Evaporator face velocity	256.16 ft/min

Motor/Electrical Information*

Voltage	460/60/3
Design ESP	0.80 in H2O
Max available ESP	
Direct drive speed	
Supply Fan/Motor Drive	Standard drive motor
Indoor mtr operating power	1.27 bhp
Indoor rpm	1181 rpm
Indoor motor power	1.18 kW
Outdoor motor power	0.32 kW
Compressor power	4.35 kW
System power	5.85 kW
Operating EER	
SEER/EER @ARI	12.0 EER
IPLV @ARI	0.0 IPLV
MCA	14.30 A
MOP	20.00 A
Compressor 1 RLA	7.80 A
Compressor 2 RLA	0.00 A
Condensor fan FLA	1.20 A
Evaporator fan FLA	3.20 A

Heating Information

Heating Capacity	High Gas
Input htg capacity	130.00 MBh
Output htg capacity	104.00 MBh
Output htg capacity w/fan	107.22 MBh
Heating EAT	44.40 F
Heating LAT	93.40 F
Heating delta T	49.00 F

* Electrical values provided are estimated only and are subject to change without notice and may differ from nameplate values. Field installed low or high static drive kits may be needed. Please check the fan performance tables in the product catalog for application ranges.

8.5 Ton Precedent™ Convertible Packaged Rooftop (Y_C)**Job Information**

Barber Foods Milliken Warehouse

**Unit Information**

Tag	RTU-2
Quantity	1
Model number	YHC102
Unit Function	DX cooling, gas heat
Unit Efficiency	High efficiency
Airflow	Convertible configuration
Voltage	460/60/3
Design airflow	3400 cfm
Elevation	
Airflow application	Downflow
Min. unit operating weight	899.0 lb
Max. unit operating weight	1194.0 lb

Cooling Information

Tonnage	102 - 8.5 Ton
Cooling EDB	82.90 F
Cooling EWB	66.20 F
Ambient temperature	95.00 F
Cooling LDB	69.34 F
Cooling LWB	57.35 F
Gross total capacity	102.33 MBh
Gross sensible capacity	94.13 MBh
Gross latent capacity	8.20 MBh
Net total capacity	94.92 MBh
Net sensible capacity	86.72 MBh
Net sensible heat ratio	0.91 Number
Evaporator face area	12.36 sq ft
Evaporator face velocity	275.08 ft/min

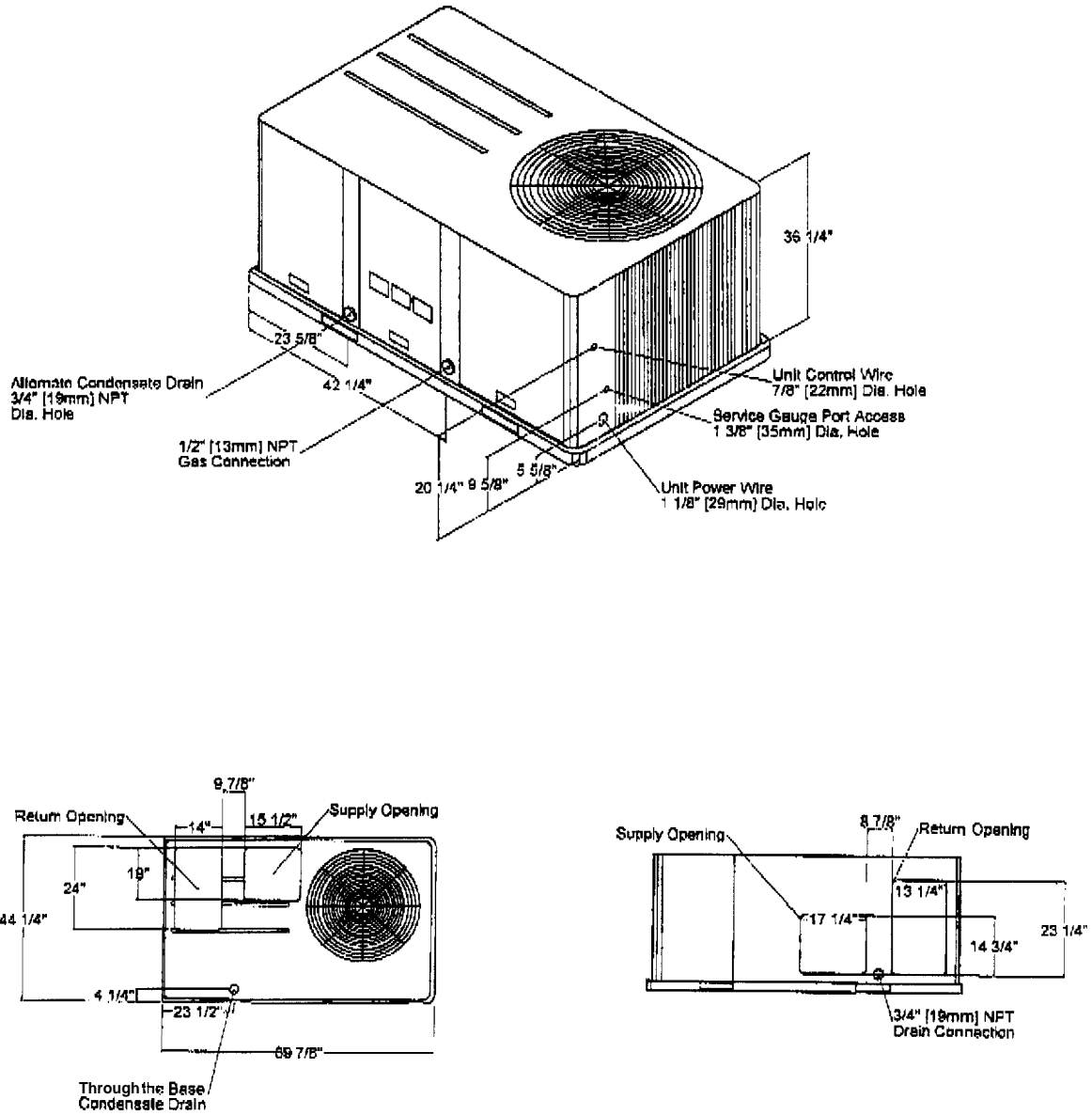
Motor/Electrical Information*

Voltage	460/60/3
Design ESP	0.75 in H ₂ O
Max available ESP	
Direct drive speed	
Supply Fan/Motor Drive	Standard drive motor
Indoor mtr operating power	2.30 bhp
Indoor rpm	995 rpm
Indoor motor power	2.17 kW
Outdoor motor power	0.72 kW
Compressor power	6.98 kW
System power	9.87 kW
Operating EER	
SEER/EER @ ARI	11.5 EER
IPLV @ ARI	11.8 IPLV
MCA	21.40 A
MOP	25.00 A
Compressor 1 RLA	7.10 A
Compressor 2 RIA	6.40 A
Condensor fan FLA	2.80 A
Evaporator fan FLA	3.10 A

	High Gas
	200.00 MBh
Output htg capacity	162.00 MBh
Output htg capacity w/fan	167.85 MBh
Heating EAT	49.70 F
Heating	94.70 F
Heating	44.40 F

* Electrical values provided are estimated only and are subject to change without notice and may differ from nameplate values. Field installed low or high static drive kits may be needed. Please check the fan performance tables in the product catalog for application ranges.

Unit Dimensions- Unitary Gas/Electric Rooftop Units
Item: A1 Qty: 1 Tag(s): RTU4



Unit Dimensions - Unitary Gas/Electric Rooftop Units
 Item: AI Qty: 1 Tag(s): RTU-4

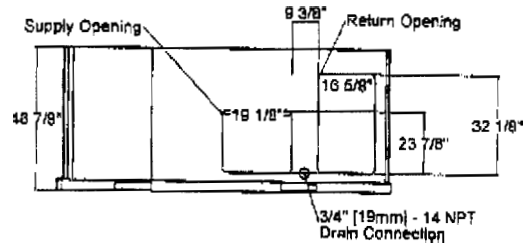
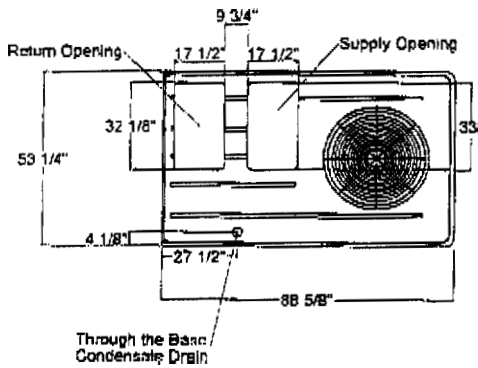
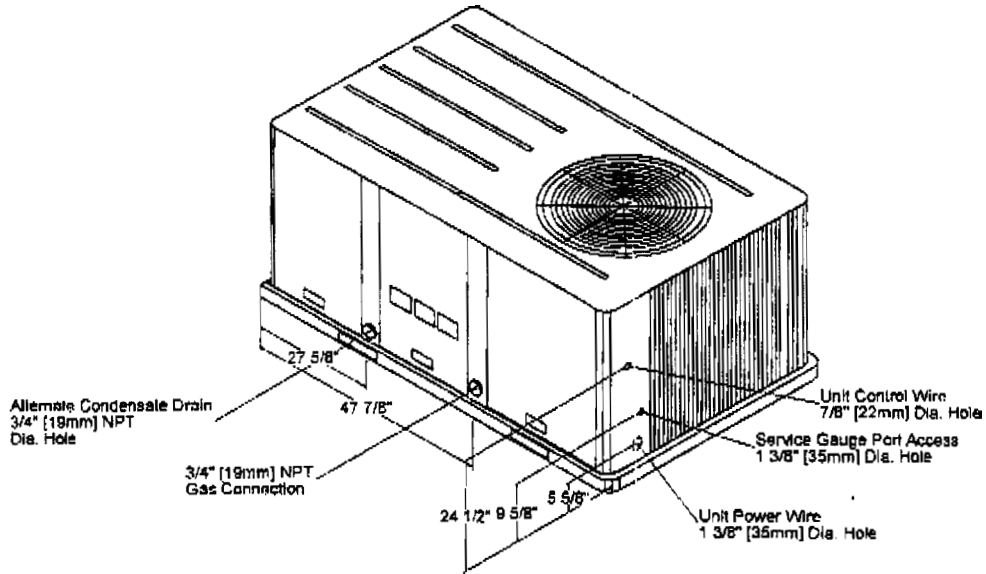
ELECTRICAL / GENERAL DATA

Tons	5	[3.79 kW]	
Unit Operating voltage Range	414	— 508	
Unit Primary voltage	480		
Unit Secondary Voltage			Field Installed
Unit Hertz	60		Oversized Motor
Unit Phase	3		
Minimum Circuit Ampacity	14.3		
Maximum Fuse Size	20.0		
Maximum (HACR) Circuit Breaker (1)	20.0		
HEATING - GENERAL DATA			
HEATING PERFORMANCE(1)	High	Natural Gas	LP (SEE NOTE 4)
Heating Input (Mbh)	130	Gas Inlet Pressure	MIN 4" w.c. MAX 4" w.c. MIN 10" w.c. MAX 14"
Heating Output (Mbh)	104	Gas Pipe Connection Size	1/2" NPT
COMPRESSOR			
	Circuit #1		Circuit #2
Number	1		
Horsepower	4.8	[3.36 kW]	[kW]
Phase	3		
Compressor Rated Load Amps	7.8		
Locked Rotor Amps	58.8		
INDOOR MOTOR			
			Field Installed
			Oversized Motor
Number	1		
Horsepower	1.0	[.88 kW]	[kW]
Motor Speed (RPM)	1750		
Phase	3		
Indoor Motor Full Load Amps	2.50		
Locked Rotor Amps	18.1		
OUTDOOR MOTOR			
Number	1		
Horsepower	.33	[.25 kW]	
Motor speed (RPM)	1075		
Phase	1		
Outdoor Motor Full Load Amps	1.2		
Locked Rotor Amps	2.5		
FILTERS - Type			
Furnished	Throwaway		
Number	2		
Recommended Size	20 x 30 x 1		
REFRIGERANT Type			
Factory Charge (circuit #1) (2)	R-22		
Factory Charge (circuit #2) (2)	10.7		

NOTES:

1. Maximum (HACR) Circuit Breaker sizing is for installations in the United States only.
2. Refrigerant charge is an approximate value. For a more precise value, see unit nameplate and service instructions.
4. The use of Liquid Propane (LP) requires unit modification. Contact a Trane Salesman for information.

Unit Dimensions- Unitary Gas/Electric Rooftop Units
item: A2 Qty: 1 Tag(s): RTU-2



Unit Dimensions - Unitary Gas/Electric Rooftop Units

Item: A2 Qty: 1 Tag(s): RTU-2

ELECTRICAL / GENERAL DATA

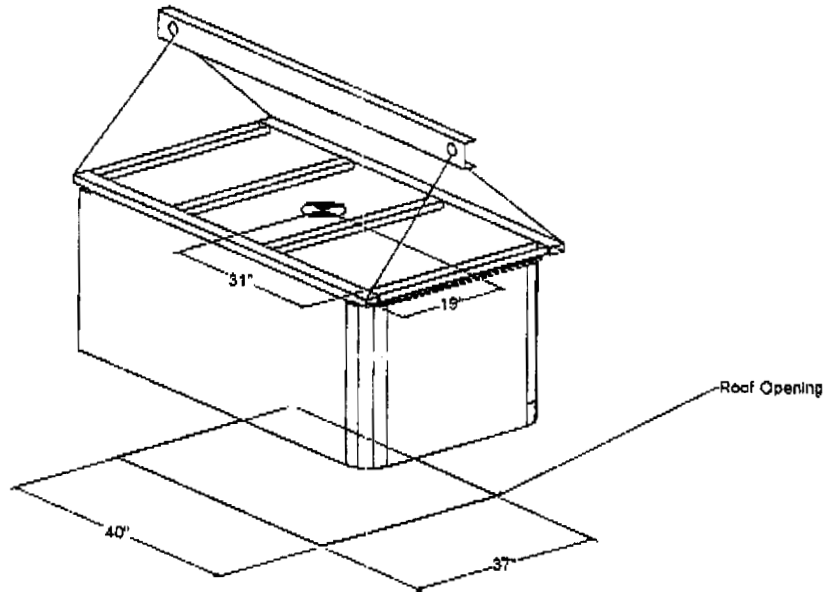
Tons	8.5	[6.34 kW]	
Unit Operating Voltage Range	414	— 50%	
Unit Primary Voltage	480		
Unit Secondary Voltage			
Unit Hertz			Field Installed
Unit Phase	60		Oversized Motor
Minimum Circuit Ampacity	3		
Maximum Fuse Size	21.4		
Maximum (HACR) Circuit Breaker (1)	25		
	25		
HEATING PERFORMANCE (1)		HEATING - GENERAL DATA	
	High	Natural Gas LP (SEE NOTE 4)	
Heating Input (Mbh)	300	Gas Inlet Pressure	MIN 4.5" w.c. MAX 14" w.c. MIN 10" w.c. MAX 14"
Heating Output (Mbh)	182	Gas Pipe Connection Size	
COMPRESSOR		Circuit #1	Circuit #2
Number	1		
Horsepower	3.9	[2.91 kW]	3.5 [2.6 kW]
Phase	3		3
Compressor Rated Load Amps	7.1		0.4
Locked Rotor Amps	50.0		4.4
INDOOR MOTOR		Field Installed	
		Oversized Motor	
Number	1		
Horsepower	2.00	[1.49 kW]	
Motor Speed (RPM)	1750/1750		[kW]
Phase	3		
Indoor Motor Full Load Amps	3.10		
Locked Rotor Amps	24.00		
OUTDOOR MOTOR			
Number	1		
Horsepower	.76	[.56 kW]	
Motor speed (RPM)	1075		
Phase	1		
Outdoor Motor Full Load Amps	2.8		
Locked Rotor Amps	6.8		
FILTERS - Type		Throwaway	
Furnished	Yes		
Number	4		
Recommended Size	20 x 25 x 2		
REFRIGERANT Type		R-22	
Factory Charge (circuit #1) (2)	7.4		
Factory Charge (circuit #2) (2)	7.1		

NOTES:

- 1 Maximum (HACR) Circuit Breaker sizing is for installations in the United States only.
- 2 Refrigerant charge is an approximate value. For a more precise value, see unit nameplate and service instructions.
- 4 The use of Liquid Propane (LP) requires unit modification. Contact a Trane Salesman for information.

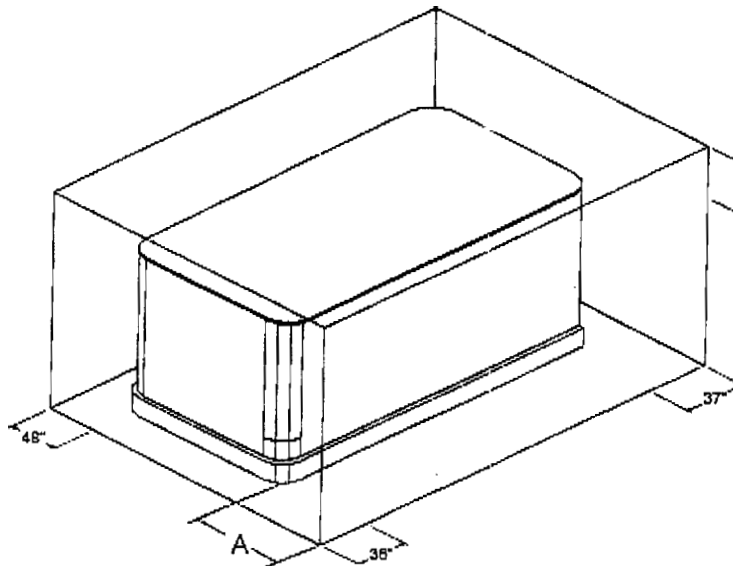
Weight, Clearance & Rigging Diagram - Unitary Gas/Electric Rooftop Units
 Item: A1 Qty: 1 Tag(s): RTU-4

RIGGING AND CENTER OF GRAVITY VIEW



MAXIMUM WEIGHTS lb		CORNER WEIGHTS lb			
SHIPPING	NET	A	B	C	D
866	574	179	140	119	136

NOTE:
 1. Corner weights are given for information only.
 2. Corner A is where lifting detail is shown.
 Corners B, C, and D are in a clockwise direction.



A. 38" [914mm] Downflow Configuration
 18" [457mm] Horizontal Configuration

CLEARANCE VIEW

Weight, Clearance & Rigging Diagram - Unitary Gas/Electric Rooftop Units
 Item: AI Qty: 1 Tag(s): RTU-4

Factory-Installed Options Net Weights
 (Weights appear only when option is selected)

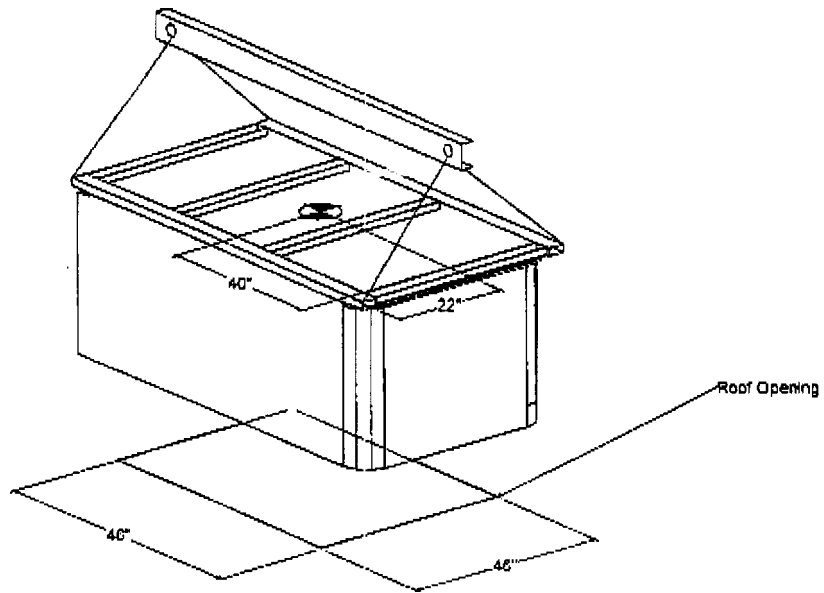
OPTIONS		
ECONOMIZER	20	lb
BAROMETRIC RELIEF	7	lb
MOTORIZED OUTSIDE AIR DAMPER		lb
MANUAL OUTSIDE AIR DAMPER		lb
OVERSIZE MOTOR		lb
BELT DRIVE MOTOR		lb
SMOKE DETECTOR, RETURN	7	lb
SMOKE DETECTOR SUPPLY	5	lb
COIL GUARD		lb
HINGED DOORS		lb
POWERED CONVENIENCE OUTLET		lb
THROUGH THE BASE ELECTRICAL		lb
THROUGH THE CASE GAS		lb
UNIT MOUNTED CIRCUIT BREAKER		lb
UNIT MOUNTED DISCONNECT SWITCH		lb
NOVAR CONTROLS		lb
POWER EXHAUST		lb

NOTES:

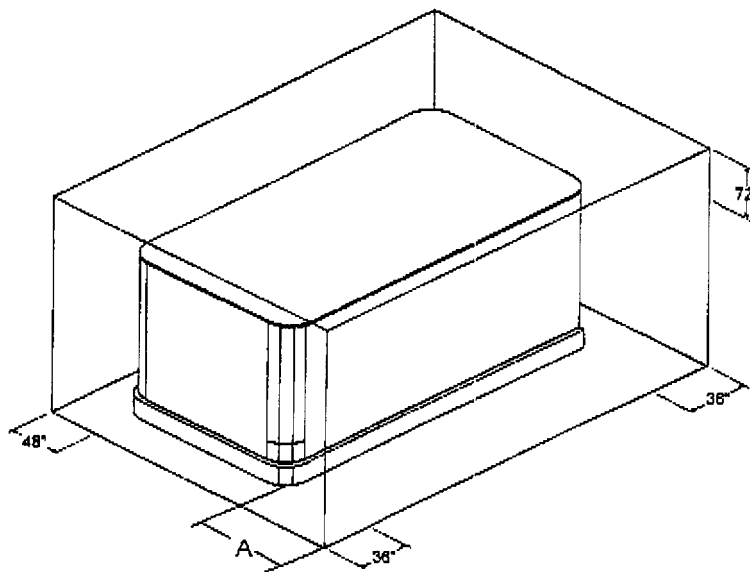
1. Weights for options not listed are >5 lbs.
2. Net weight should be added to unit weight when ordering factory-installed accessories.

Weight, Clearance & Rigging Diagram - Unitary Gas/Electric Rooftop Units
 Item: A2 Qty: 1 Tag(s): RTU-2

RIGGING AND CENTER OF GRAVITY VIEW



MAXIMUM WEIGHTS lb		CORNER WEIGHTS lb			
SHIPPING	NET	A	B	C	D
1100	957	310	252	175	220



A. 36" [914mm] Downflow Configuration
 18" [457mm] Horizontal Configuration

CLEARANCE VIEW

Weight, Clearance & Rigging Diagram - Unitary Gas/Electric Rooftop Units

Item: A2 Qty: 1 Tag(s): RTU-2

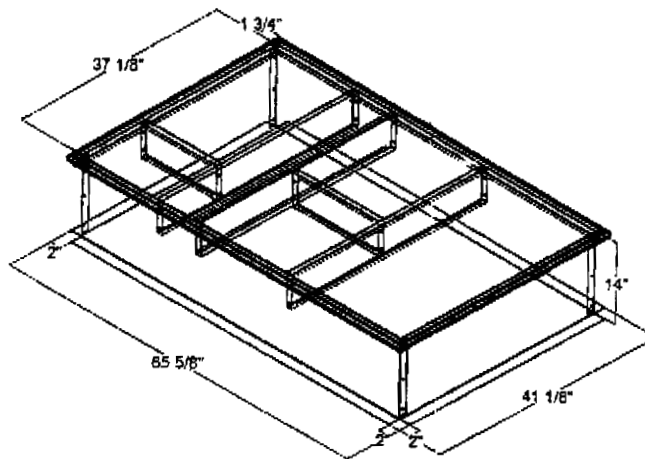
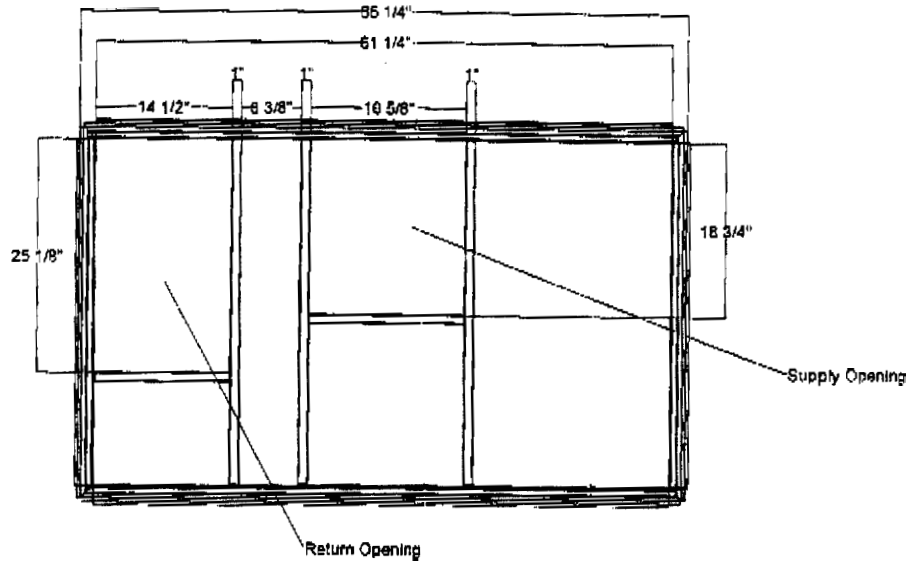
**Factory-Installed Options Net Weights
(Weights appear only when option is selected)**

OPTIONS		
ECONOMIZER	38	lb
BAROMETRIC RELIEF	10	lb
MOTORIZED OUTSIDE AIR DAMPER		lb
MANUAL OUTSIDE AIR DAMPER		lb
OVERSIZE MOTOR		lb
BELT DRIVE MOTOR		lb
SMOKE DETECTOR. RETURN	7	lb
SMOKE DETECTOR. SUPPLY	5	lb
COIL GUARD		lb
HINGED DOORS		lb
POWERED CONVENIENCE OUTLET		lb
THROUGH THE BASE ELECTRICAL		lb
THROUGH THE BASE GAS		lb
UNIT MOUNTED CIRCUIT BREAKER		lb
UNIT MOUNTED DISCONNECT SWITCH		lb
NOVAR CONTROLS		lb
POWER EXHAUST		lb

NOTES:

- 1 Weights for options not listed are >5 lbs
- 2 Net weight should be added to unit weight when ordering factory-installed accessories.

Accessory - Unitary Gas/Electric Rooftop Units
3-5 Ton Roofcurb ISO drawing
Item: A1 Qty: 1 Tag(s): RTU-4



CURB NET/SHIPPING WEIGHT 70 lb

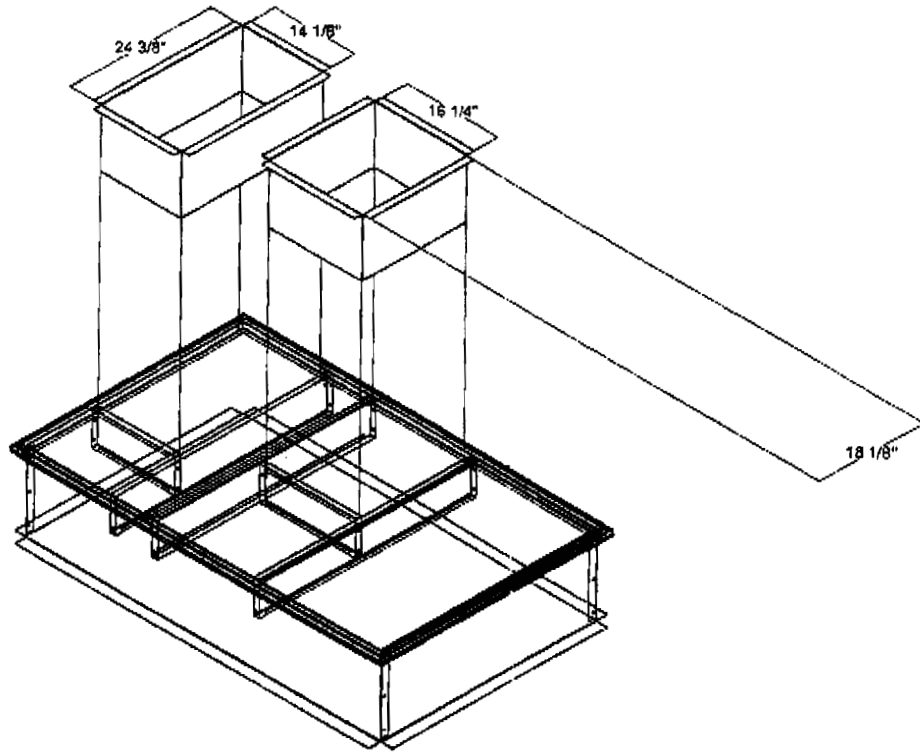
Accessory - Unitary Gas/Electric Rooftop Units

Roof curb with duct insets

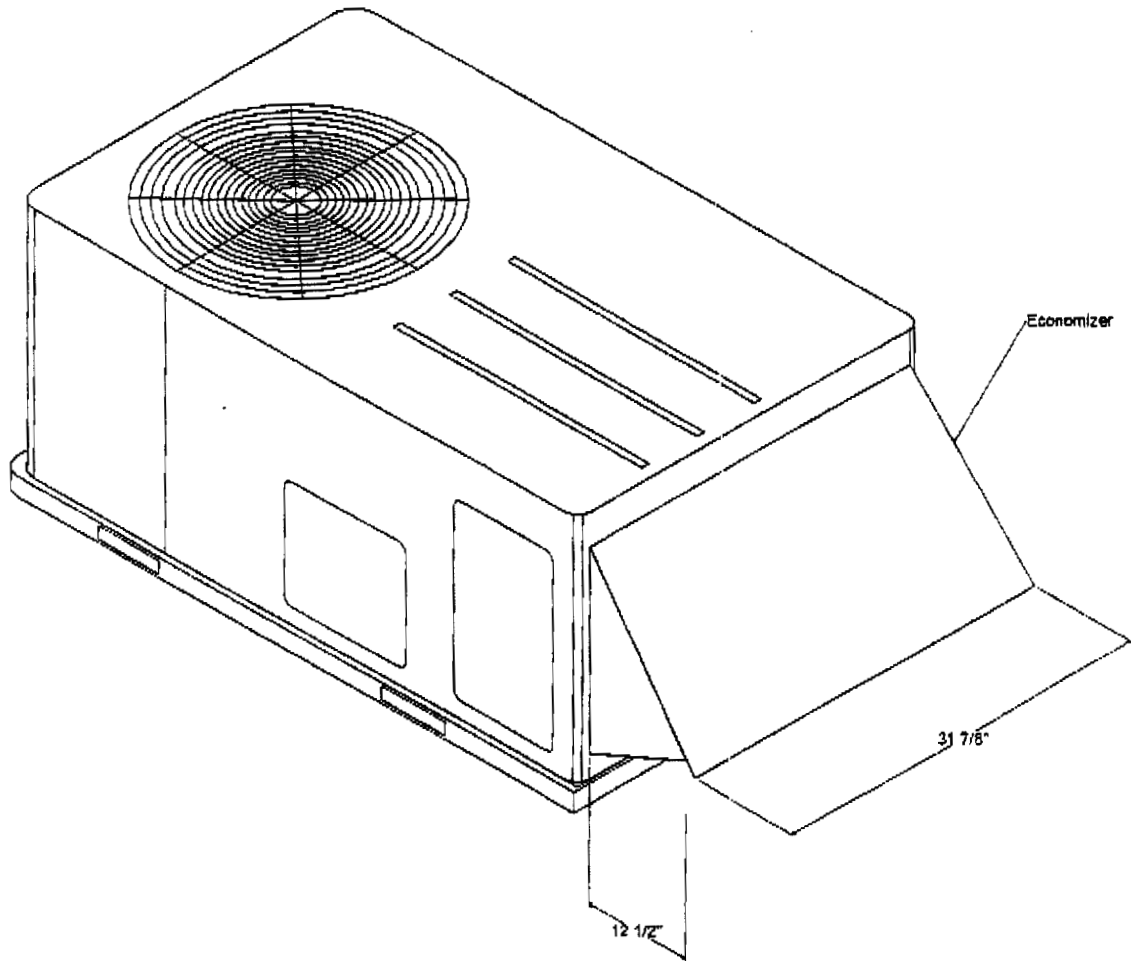
Item: A1 Qty: 1 Tag(s): RTU-4

Air Finishes - 1/4" (3mm)

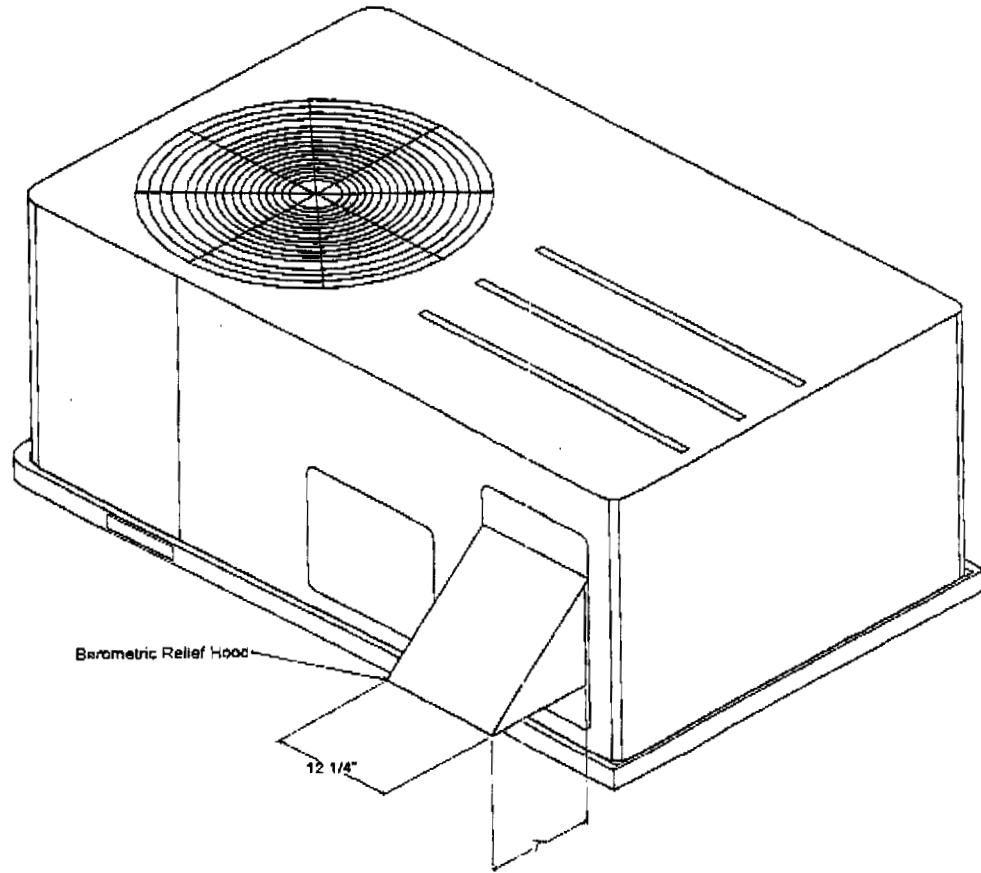
Downflow Field Connections
Field Fabricated



Accessory - Unitary Gas/Electric Rooftop Units
Economizer Hood/Manual or Motorized Damper Hood Drawing
Item: A1 Qty: 1 Tag(s): RTU-4



~~Barber Foods Milliken Warehouse~~
Accessory - Unitary Gas/Electric Rooftop Units
Barometric Relief Hood
Item: A1 Qty: 1 Tag(s): RTU-4



~~FLD = Furnished by Trane / Installed by Others~~

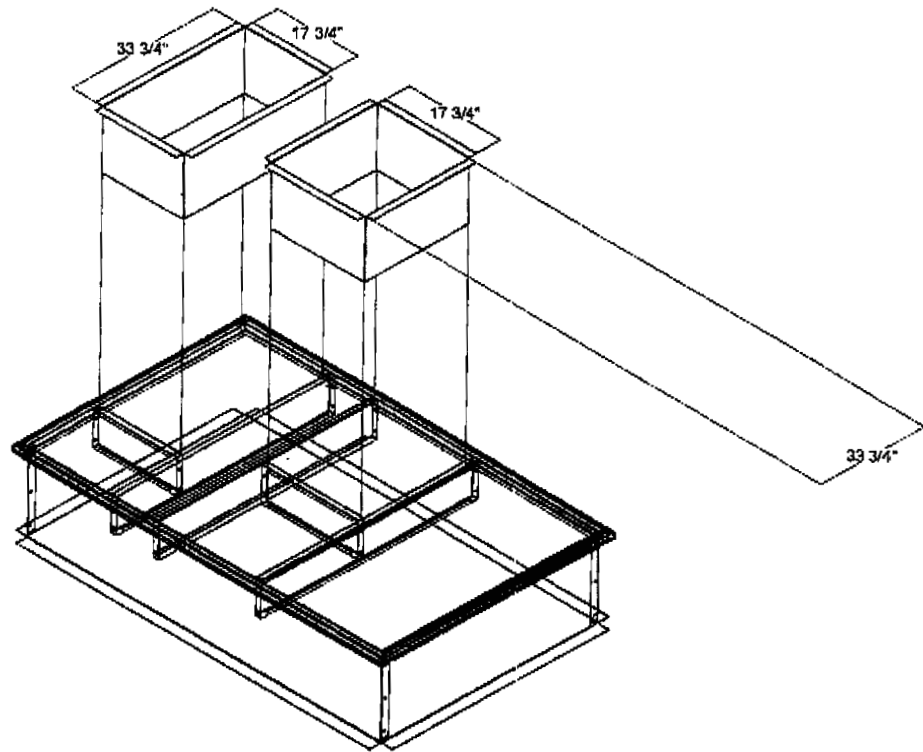
~~Trane Equipment Submittal~~

~~FLD = Furnished by Trane / Installed by Others~~

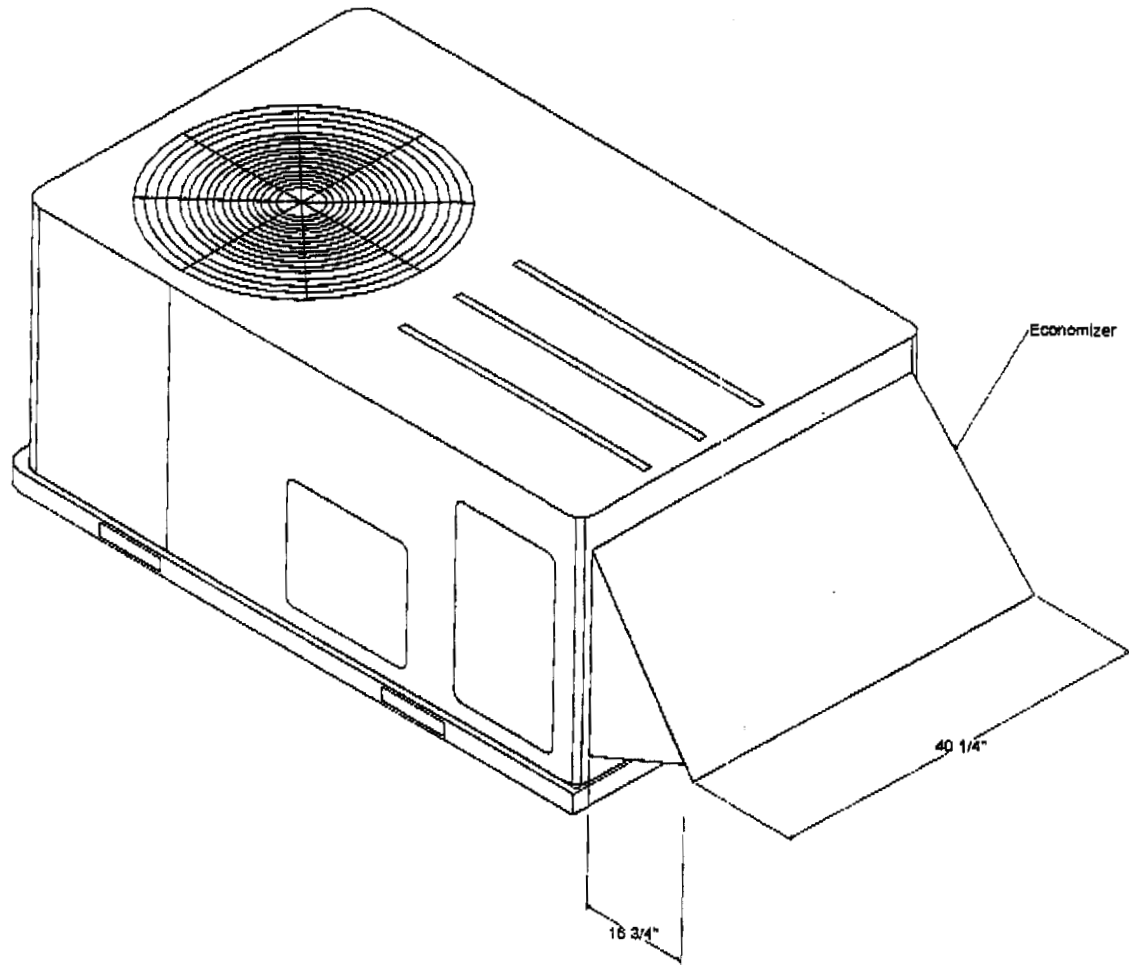
~~Trane Equipment Submittal~~

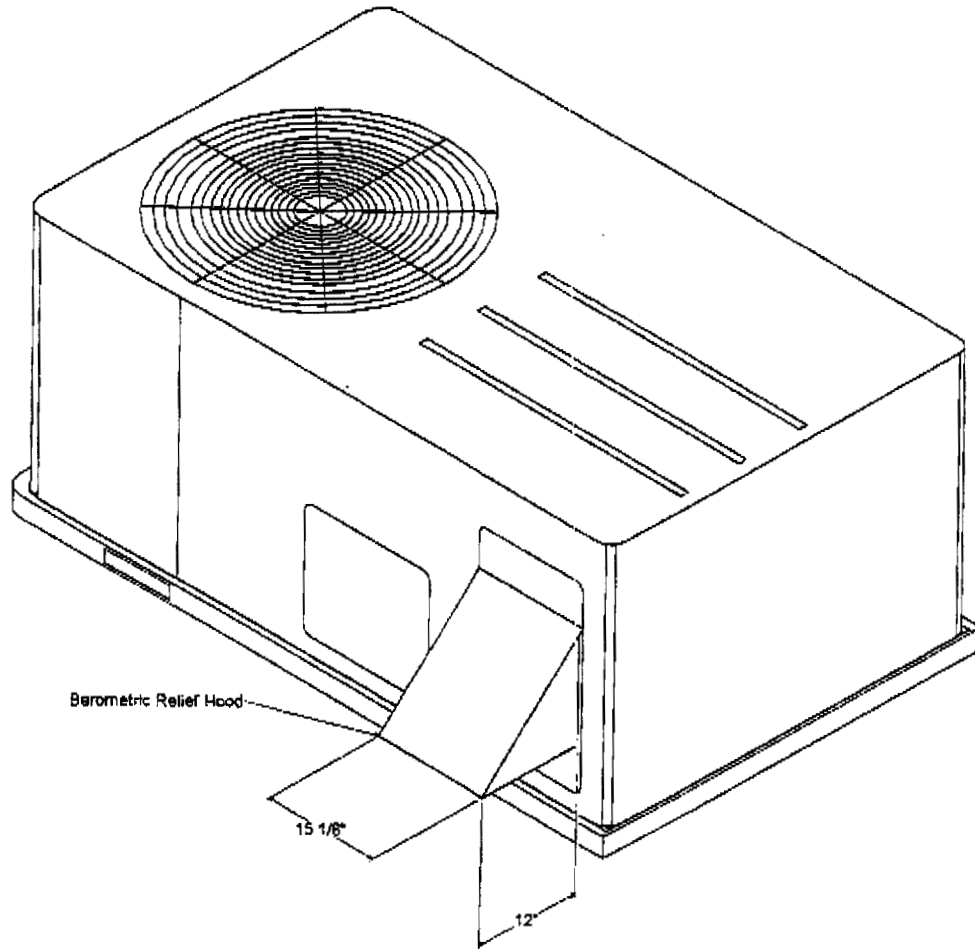
All Filings - 1 1/4" (32mm)

Downflow Field Connections -
Field Fabricated



Accessory - Unitary Gas/Electric Rooftop Units
Economizer Hood/Manual or Motorized Damper Hood Drawing
Item: A2 Qty: 1 Tag(s): RTU-2





City of Portland, Maine - Building or Use Permit

389 Congress Street, 04101 Tel: (207) 874-8703, Fax: (207) 874-8716

Permit No: 05-0578	Date Applied For: 05/12/2005	CBL: 334 A014001
-----------------------	---------------------------------	---------------------

Location of Construction: 56 Milliken St	Owner Name: Kdjs Partners Llc	Owner Address: Po Box 4821	Phone:
Business Name:	Contractor Name: Ranor Inc	Contractor Address: PO Box 88 Jav	Phone (207) 645-5109
Lessee/Buyer's Name	Phone:	Permit Type: HVAC	

Proposed Use: Commercial install 4 Trane Systems	Proposed Project Description: Install 4 Trane Systems
--	---

Dept: Zoning **Status:** Approved **Reviewer:** Jeanine Bourke **Approval Date:** 05/18/2005
Note: **Ok to Issue:**

Dept: Building **Status:** Approved **Reviewer:** Jeanine Bourke **Approval Date:** 05/18/2005
Note: **Ok to Issue:**

1) The installation **must** comply with the State of Maine Gas Regulations.

Dept: Fire **Status:** Approved **Reviewer:** Jay Kelley **Approval Date:** 05/18/2005
Note: **Ok to Issue:**

1) Install to manufactures specifications

