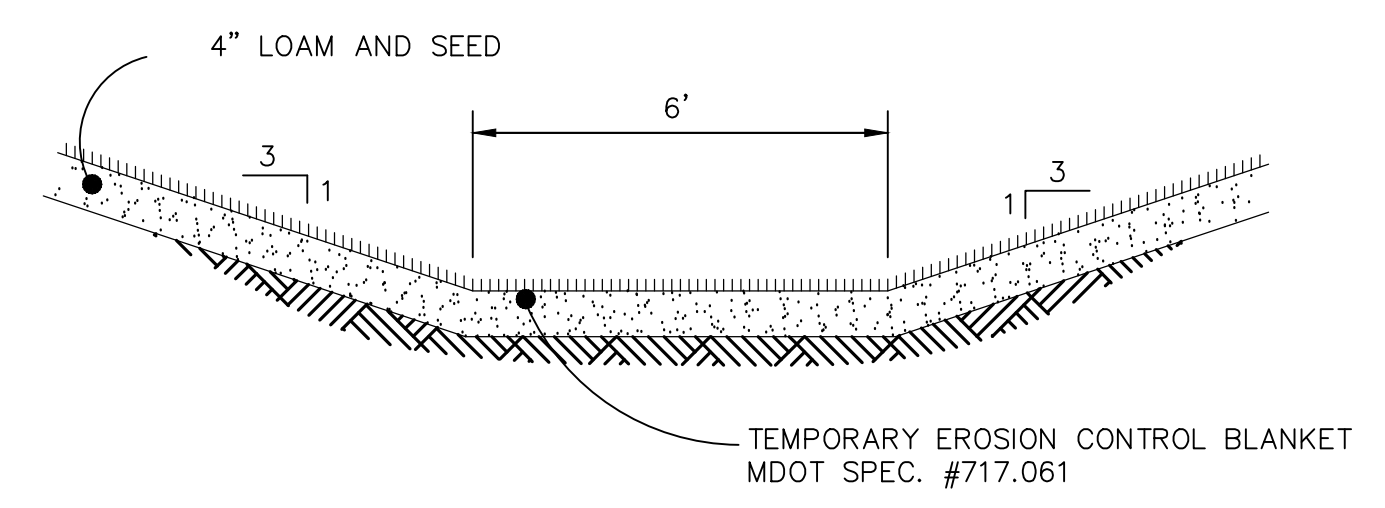
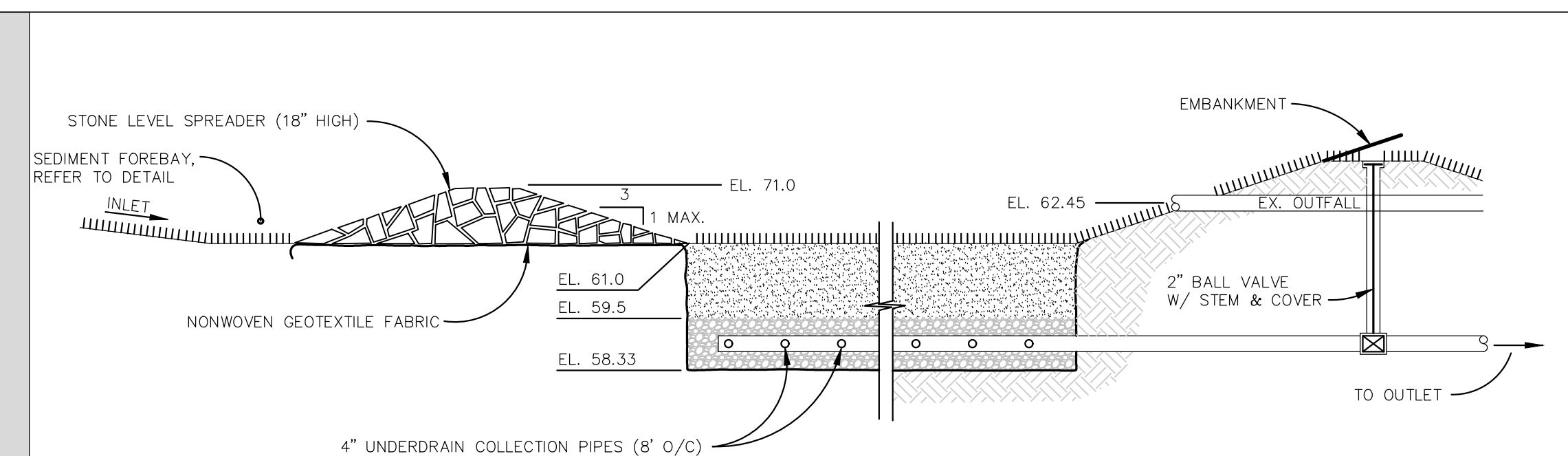


DETENTION BASIN GRADING & DRAINAGE PLAN ENLARGEMENT

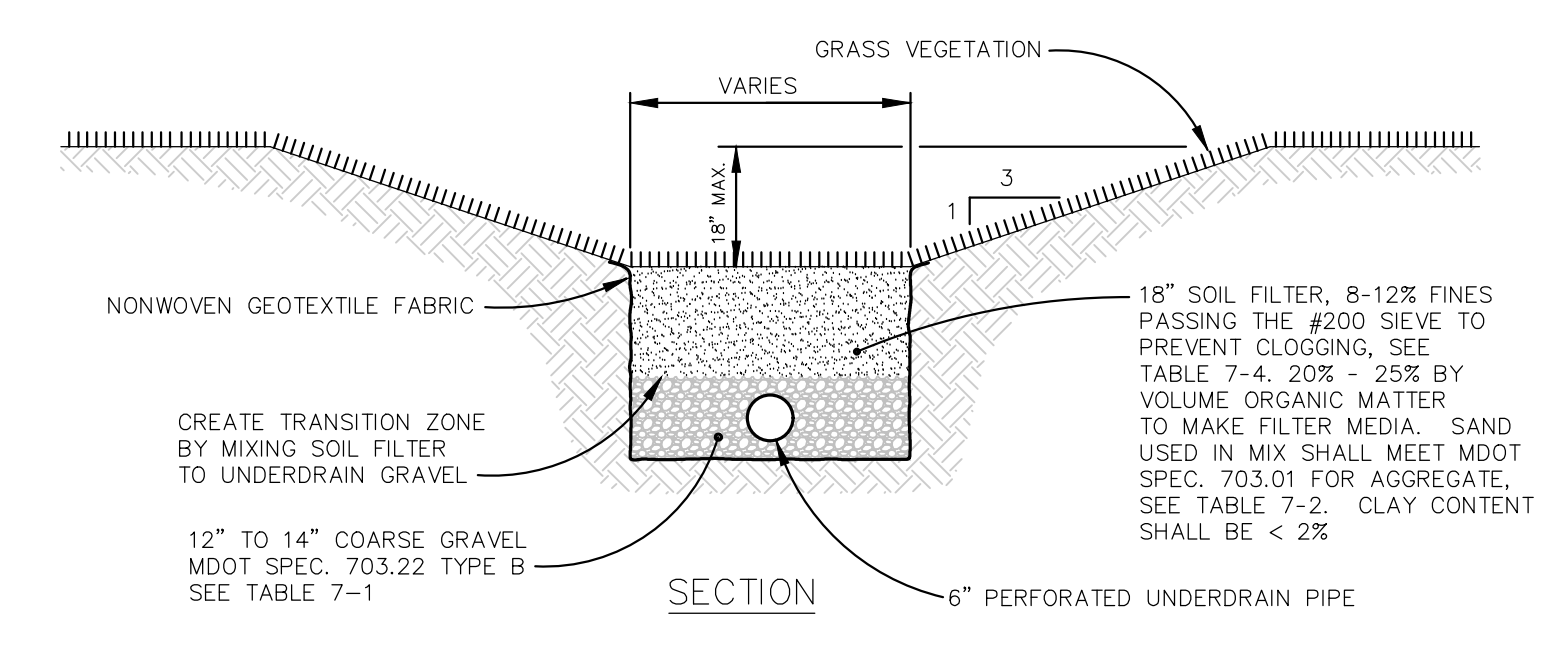
SCALE: 1" = 10'-0"



1 VEGETATED SWALE
NOT TO SCALE



PROFILE



SECTION

TABLE 7-1
UNDERDRAIN SPECS.
MDOT #703.22

SEIVE SIZE	% BY WEIGHT
1"	100
1/2"	90-100
#4	50-100
#20	15-80
#50	0-15
#200	0-5

SEIVE SIZE	% BY WEIGHT
1"	100
3/4"	90-100
3/8"	0-75
#4	0-25
#10	0-5

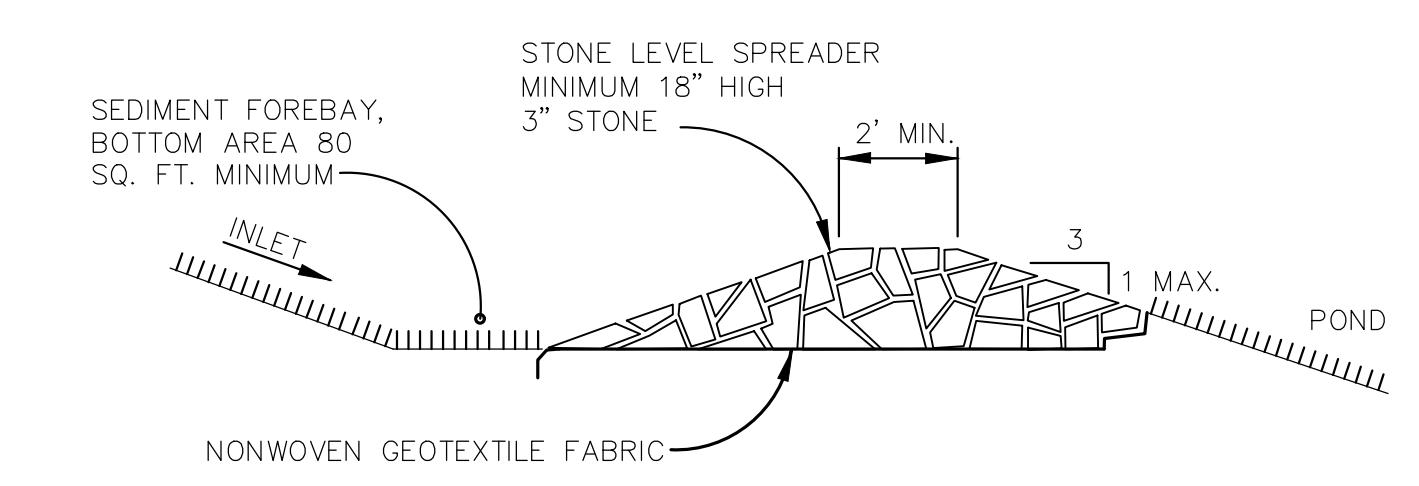
TABLE 7-2
AGGREGATE SPECS.
MDOT #703.01

SEIVE SIZE	% BY WEIGHT
3/8"	100
#4	95-100
#16	90-100
#30	90-85
#60	25-60
#100	10-30
#200	2-10
#400	0-5

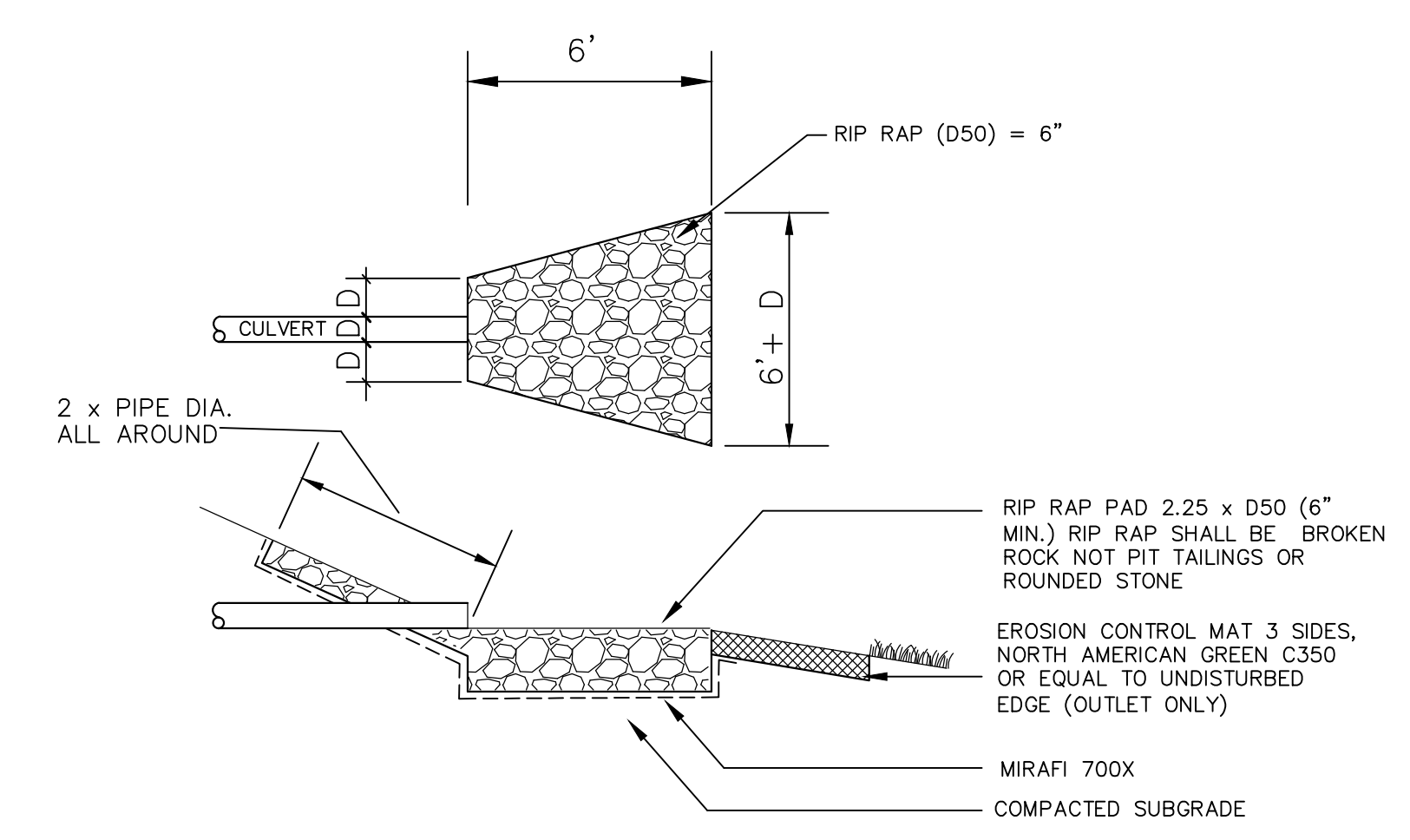
TABLE 7-4
COARSE LOAMY SAND SIEVE
ANALYSIS SPECIFICATION

SEIVE #	% PASSING BY WEIGHT
10	85-100
30	70-100
60	15-40
200	0-8

2 VEGETATED SOIL FILTER FIELD
NOT TO SCALE



3 SEDIMENT FOREBAY
NOT TO SCALE



4 PIPE INLET/OUTLET PROTECTION
NOT TO SCALE

Prepared For:
Applicant:
66 MILLIKEN STREET LLC
147 Birch Run
Harpwell, Maine 04079

Prepared By:
MITCHELL & ASSOCIATES
Landscape Architects
The Staples School, 70 Center Street
Portland, Maine 04101
Tel: (207) 774-4427

BH2M
Engineers & Surveyors
28 State Street
Gorham, Maine 04038
Tel: (207) 839-2771

66 MILLIKEN STREET

Portland, Maine

66 Milliken Street

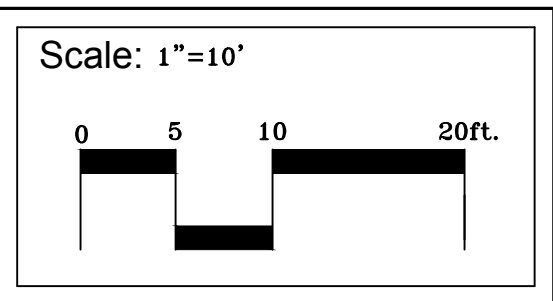
Date:
August 14, 2018

Issued For:
SITE PLAN REVIEW

Revisions:

Reproduction or reuse of
this document without the
expressed written consent of
Mitchell & Associates is prohibited.

Title:
**DETENTION BASIN
GRADING ENLARGEMENT
& STORMWATER DETAILS**



North:

Sheet No.:
4



NOTE: This drawing is PRELIMINARY ONLY. It is NOT intended for use as a construction document.