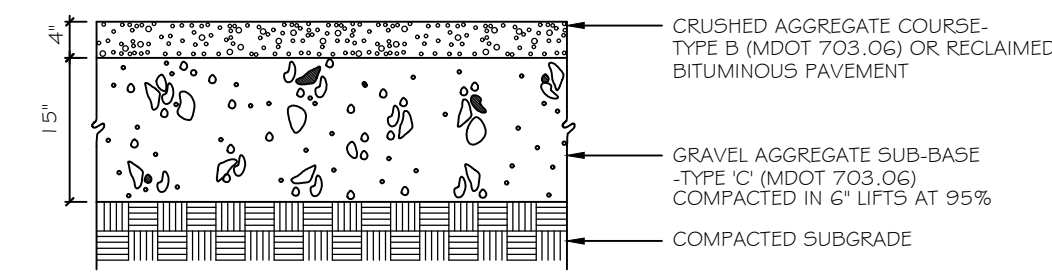
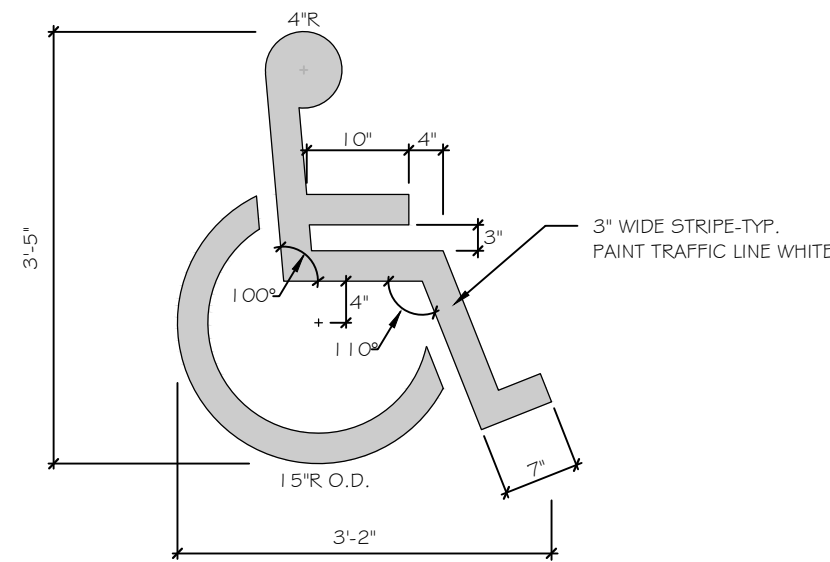


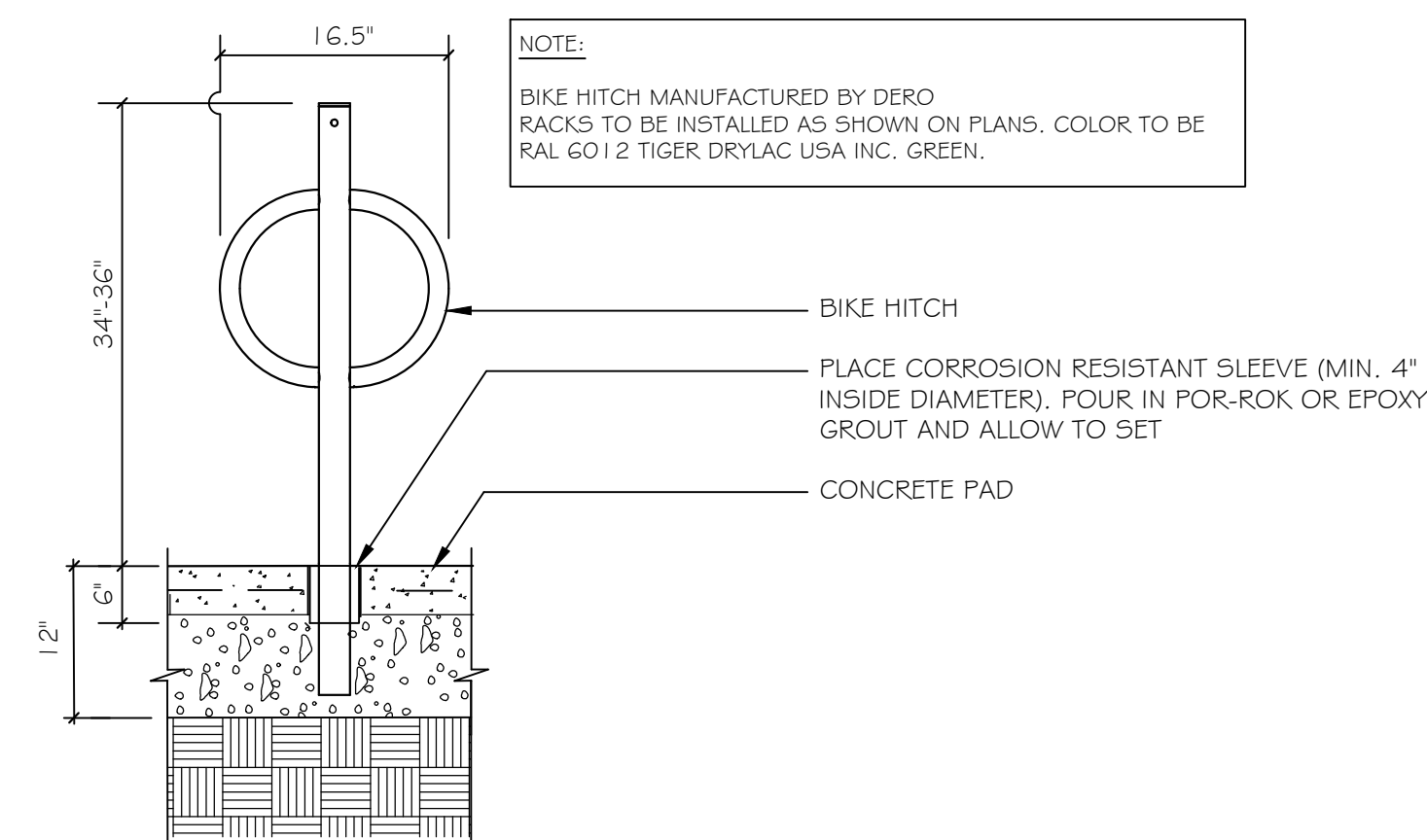
1
6 BITUMINOUS PAVEMENT- PARKING LOT AND ROAD
NOT TO SCALE



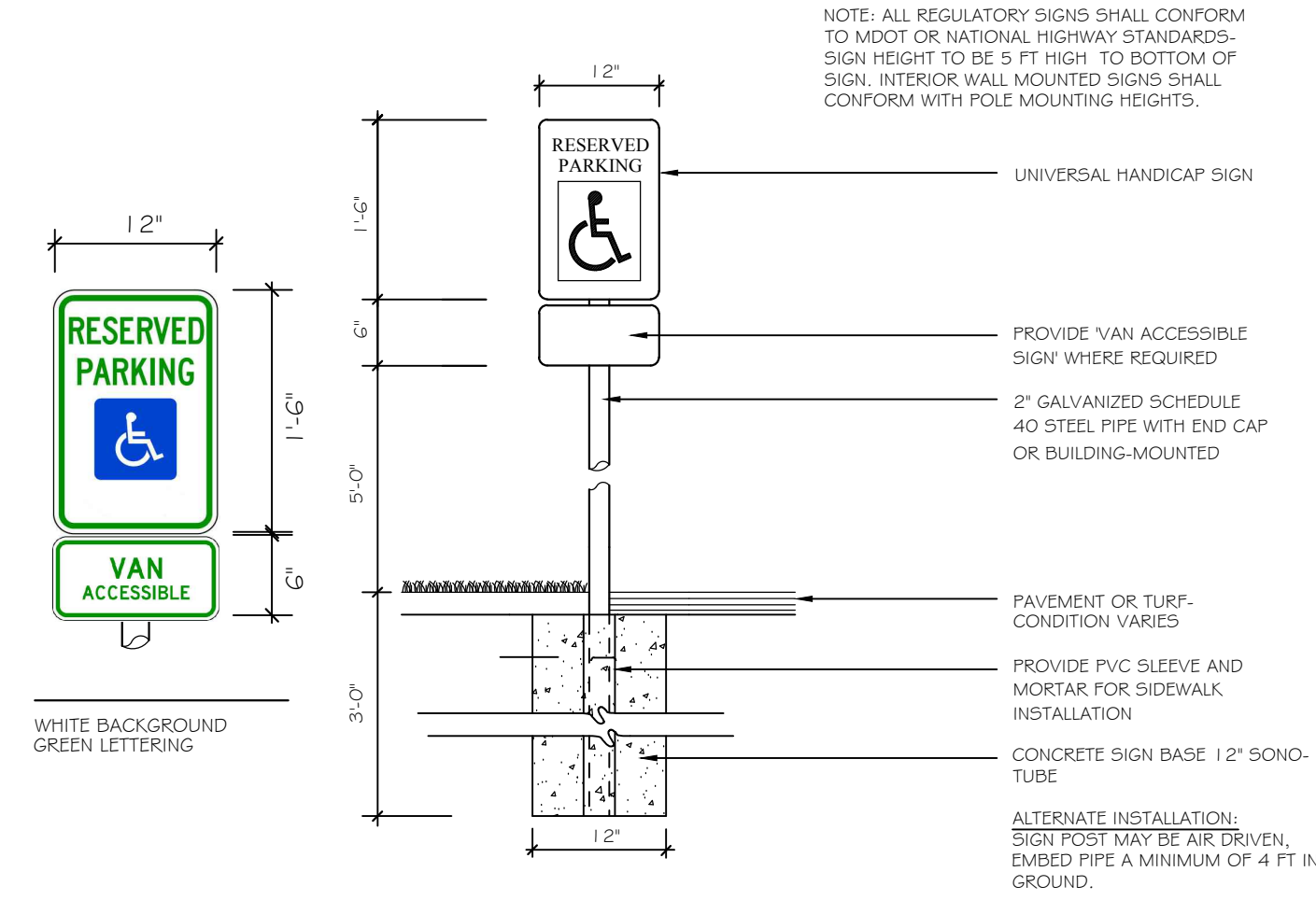
2
6 GRAVEL DRIVE AND GRAVEL SERVICE AREA
NOT TO SCALE



3
6 ACCESSIBLE PARKING SPACE MARKINGS
NOT TO SCALE



4
6 BIKE RACK
NOT TO SCALE



5
6 HANDICAP PARKING SIGNAGE
NOT TO SCALE

Prepared For:
 Applicant:
 66 MILLIKEN STREET LLC
 147 Birch Run
 Harpswell, Maine 04079
 Prepared By:
 MITCHELL & ASSOCIATES
 Landscape Architects
 The Staples School, 70 Center Street
 Portland, Maine 04101
 Tel: (207) 774-4427
 BH2M
 Engineers & Surveyors
 28 State Street
 Gorham, Maine 04038
 Tel: (207) 839-2771

66 MILLIKEN STREET
 66 Milliken Street
 Portland, Maine

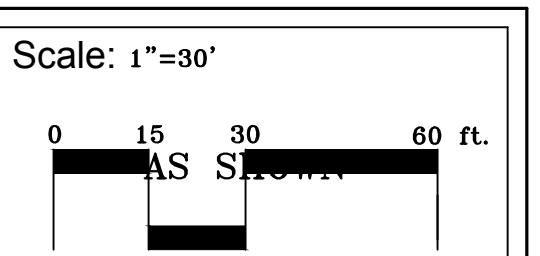
Date:
 August 14, 2018

Issued For:
 SITE PLAN REVIEW

Revisions:

Reproduction or reuse of this document without the expressed written consent of Mitchell & Associates is prohibited.

Title:
 SITE DETAILS



North:
 Sheet No.:
 6

NOTE: This drawing is PRELIMINARY ONLY. It is NOT intended for use as a construction document.