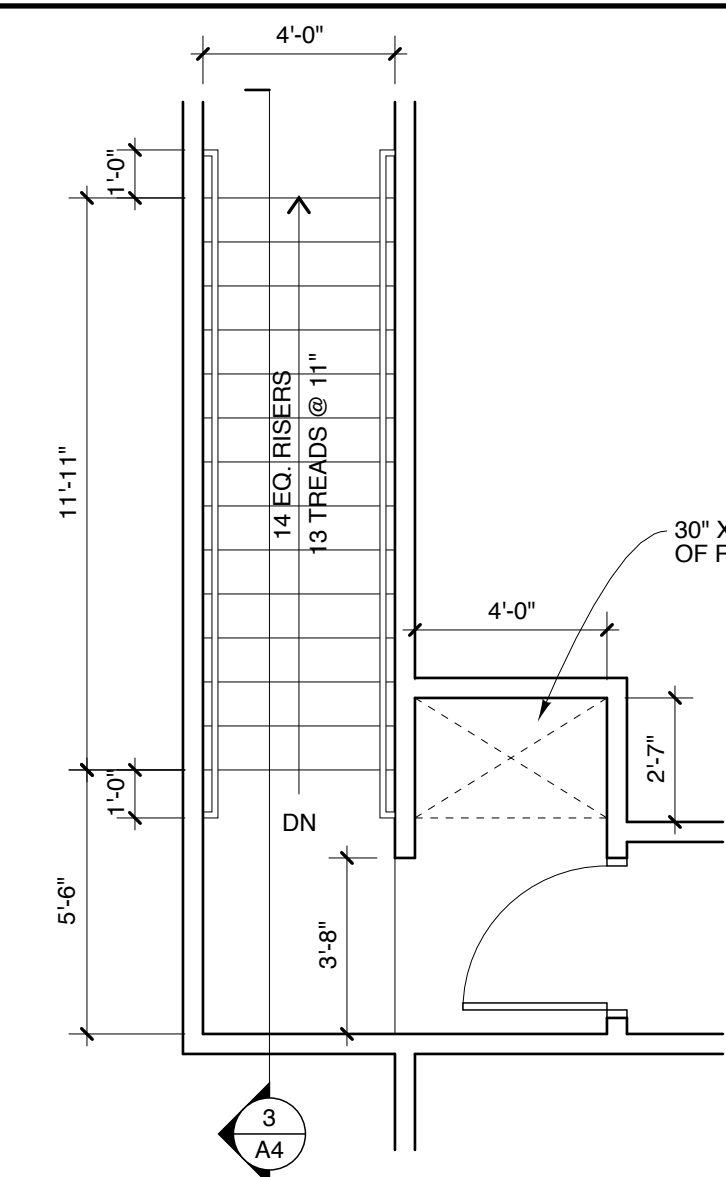
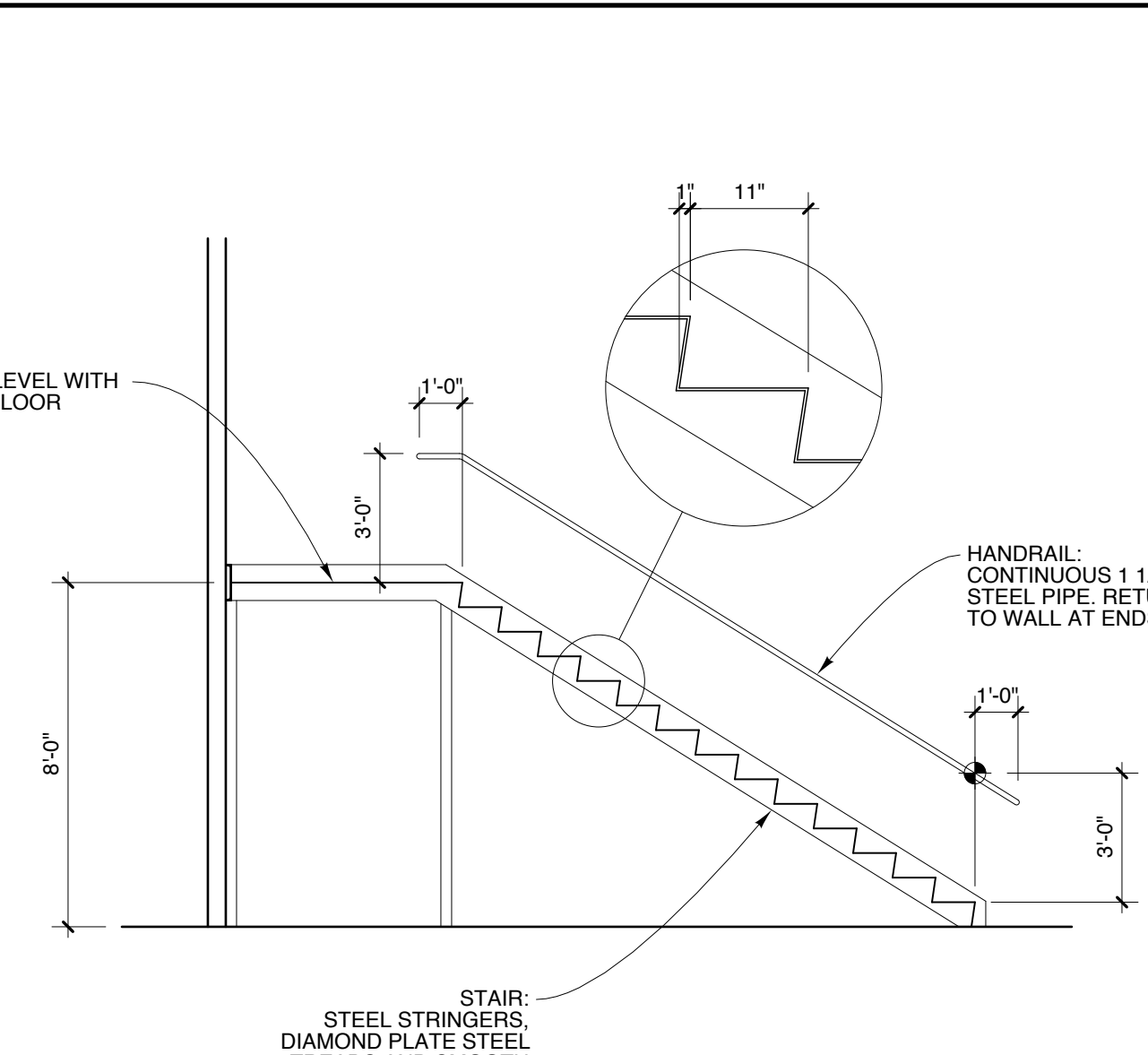


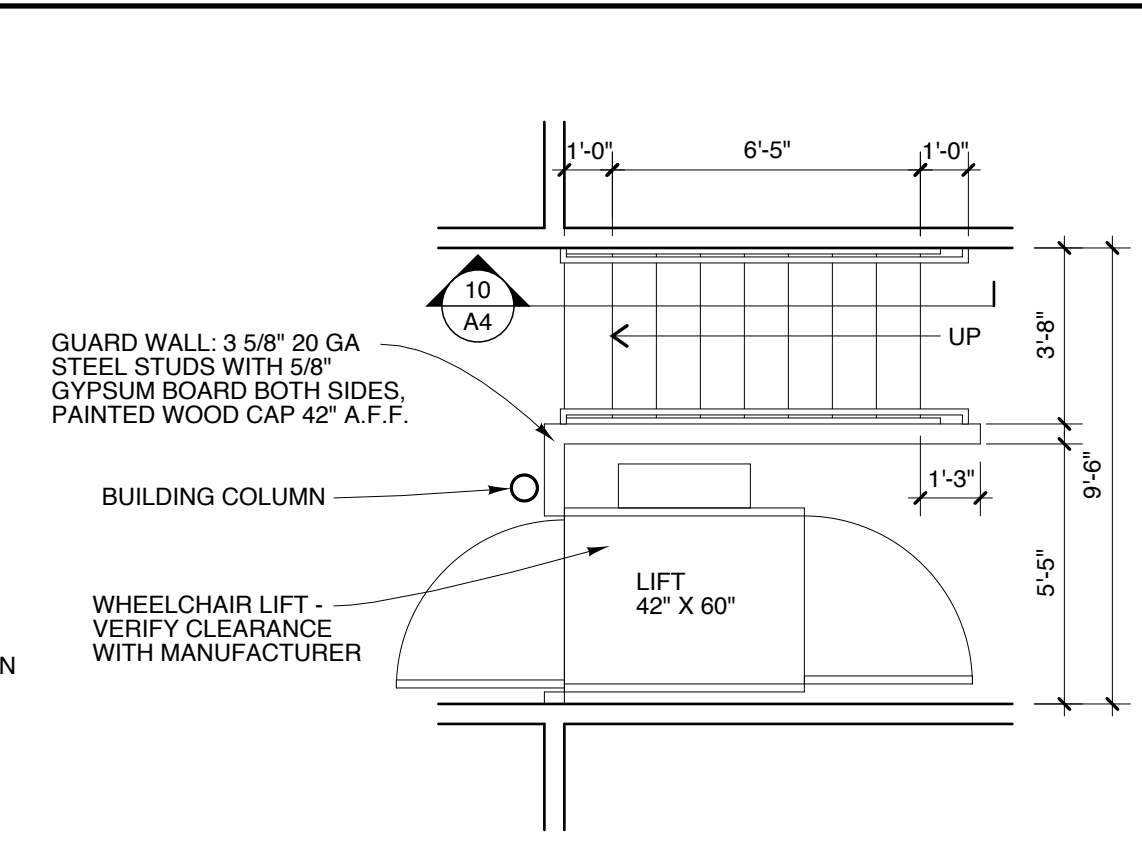
1 ENLARGED PLAN
SCALE: 1/4" = 1'-0"
1' 2' 4' 8'



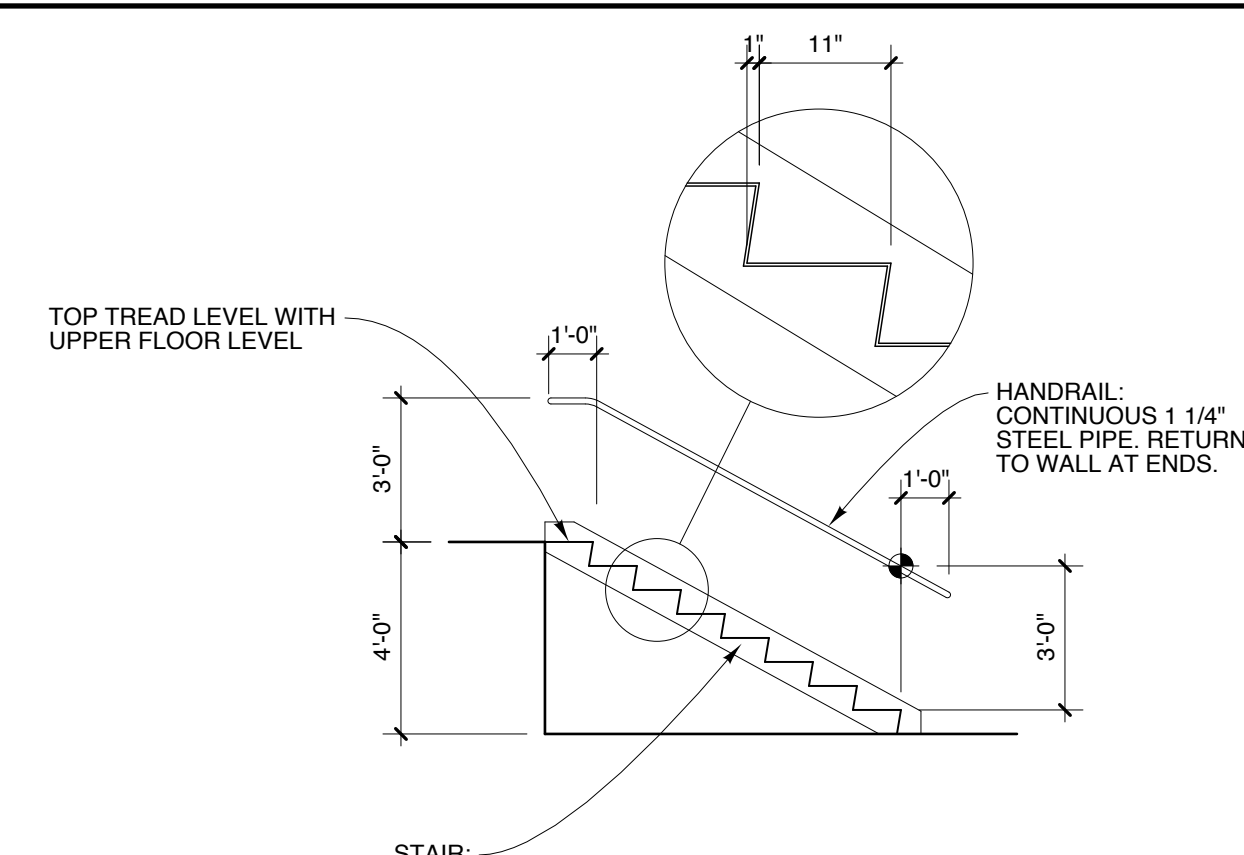
2 ENLARGED PLAN
SCALE: 1/4" = 1'-0"
1' 2' 4' 8'



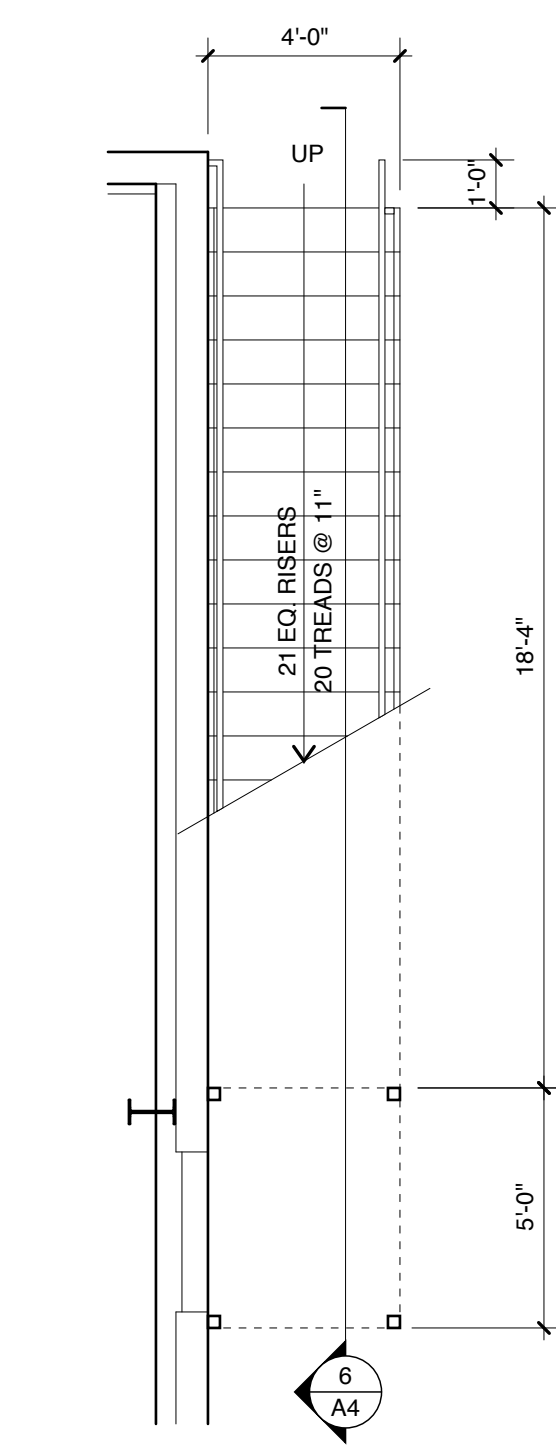
3 SECTION
SCALE: 1/4" = 1'-0"
1' 2' 4' 8'



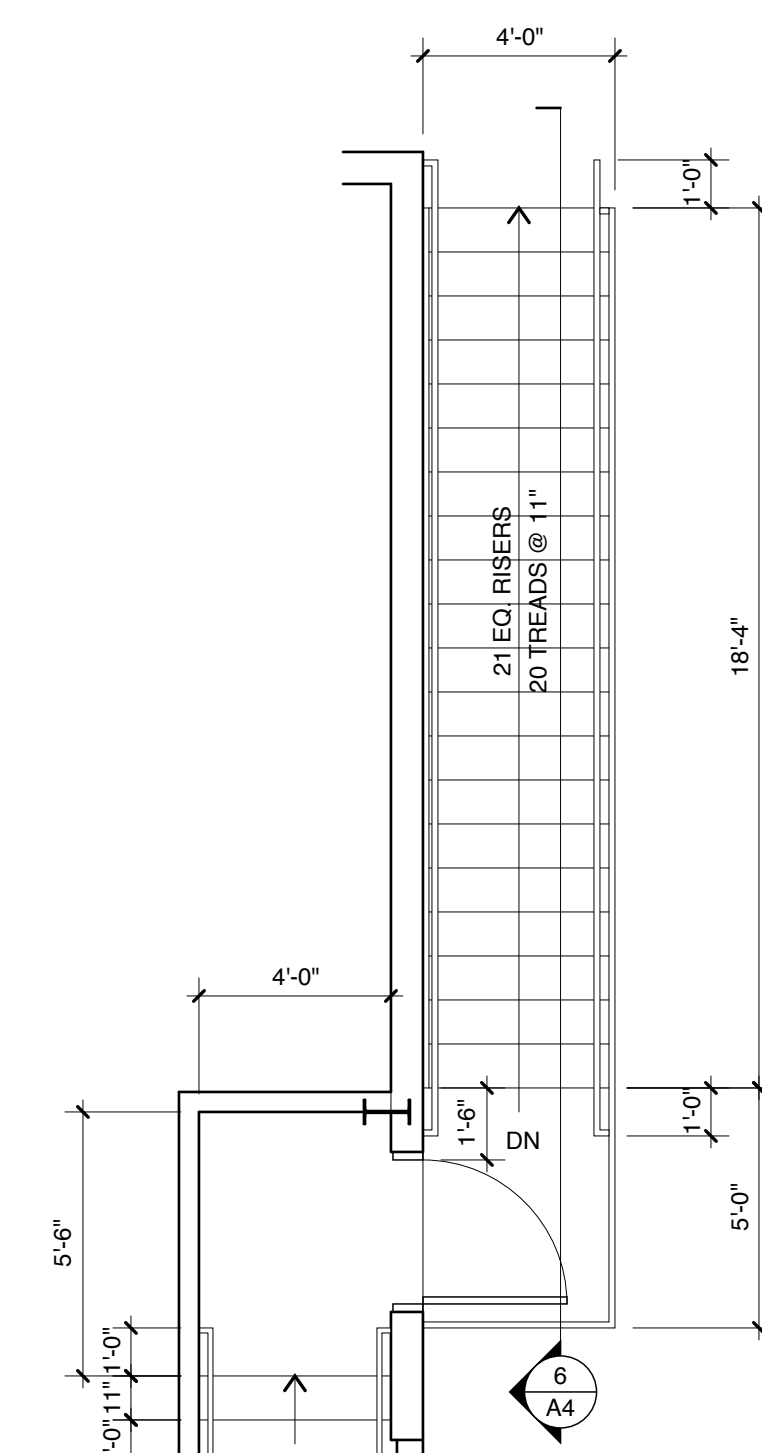
9 ENLARGED PLAN
SCALE: 1/4" = 1'-0"
1' 2' 4' 8'



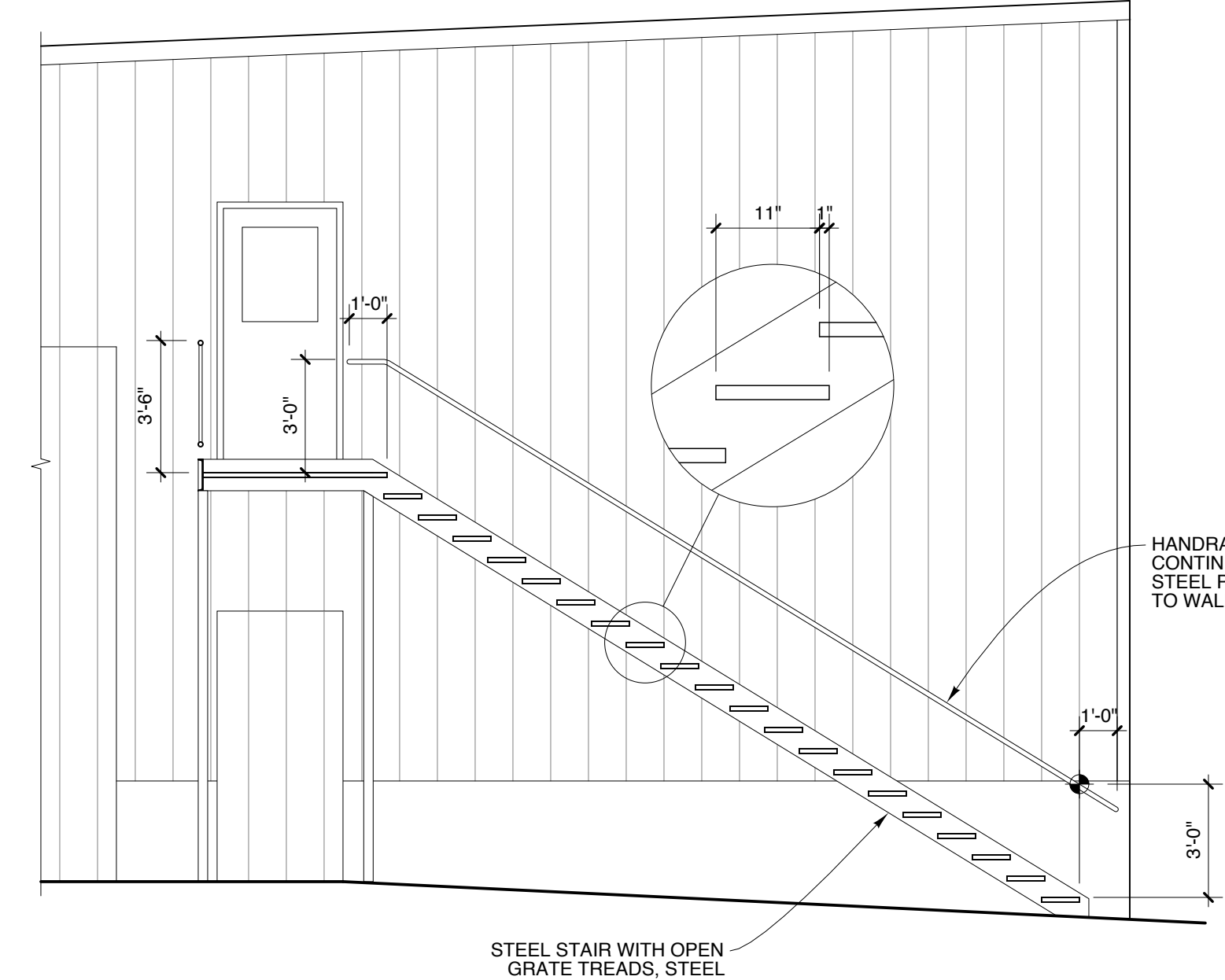
10 SECTION
SCALE: 1/4" = 1'-0"
1' 2' 4' 8'



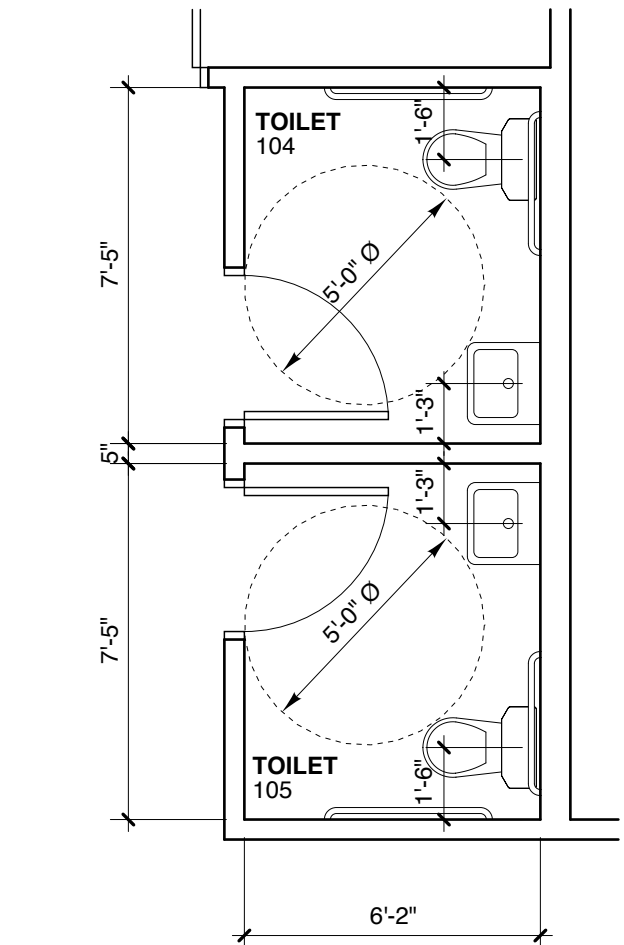
4 ENLARGED PLAN
SCALE: 1/4" = 1'-0"
1' 2' 4' 8'



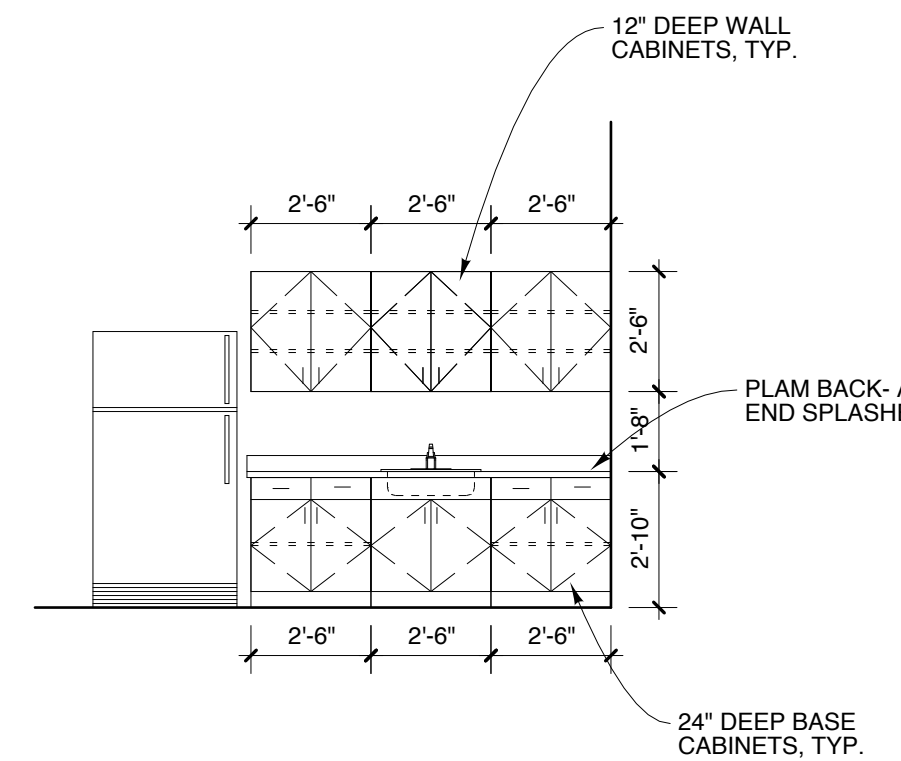
5 ENLARGED PLAN
SCALE: 1/4" = 1'-0"
1' 2' 4' 8'



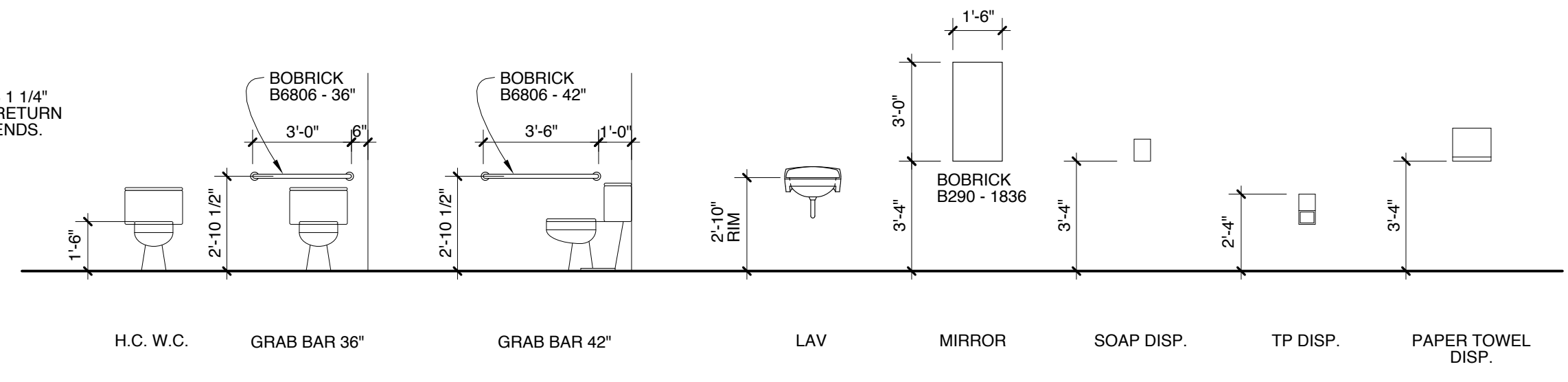
6 SECTION
SCALE: 1/4" = 1'-0"
1' 2' 4' 8'



11 ENLARGED PLAN
SCALE: 1/4" = 1'-0"
1' 2' 4' 8'

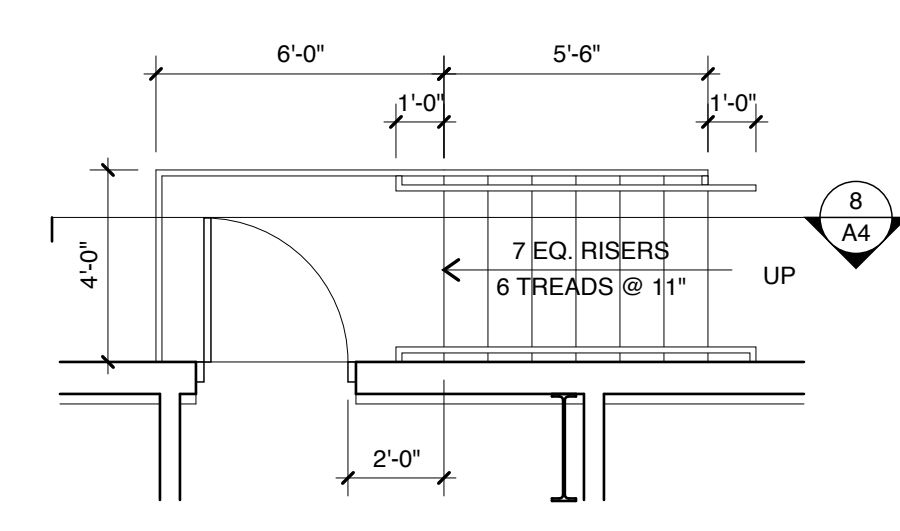


12 ELEVATION
SCALE: 1/4" = 1'-0"
1' 2' 4' 8'

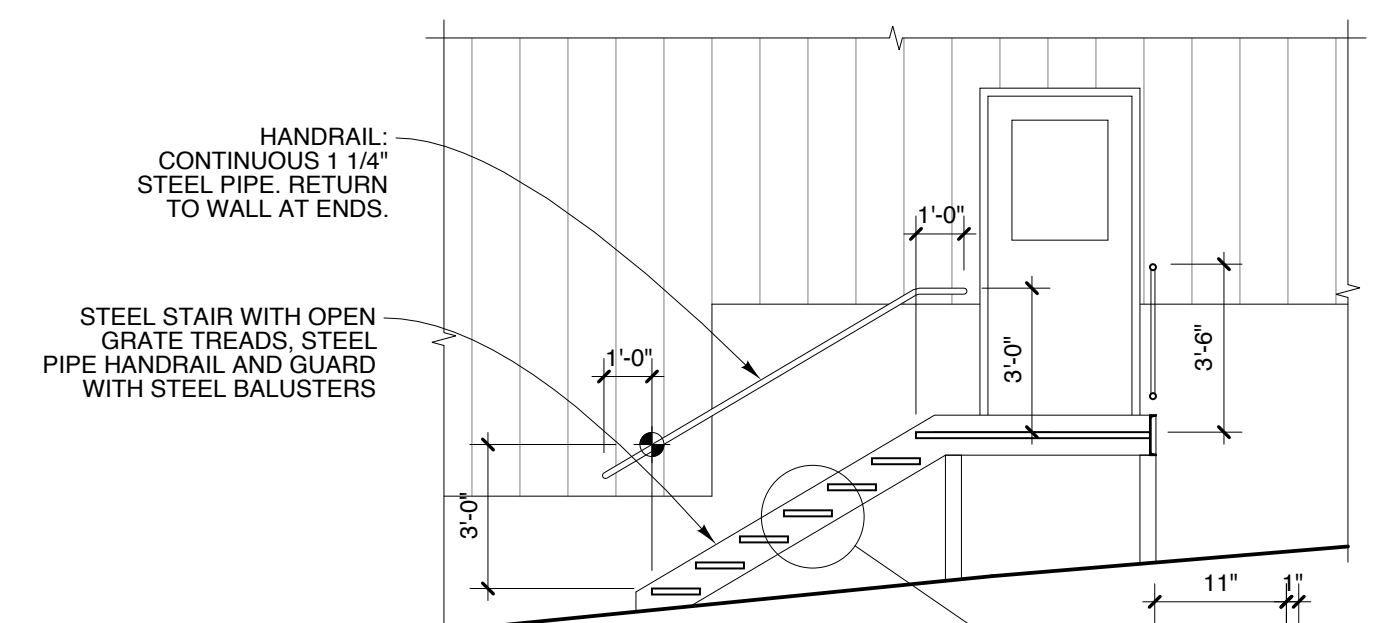


13 BATHROOM FIXTURE MOUNTING HEIGHTS
SCALE: 1/4" = 1'-0"
3' 6' 1' 2'

- FIXTURE AND ACCESSORY NOTES:
1. PROVIDE SOLID WOOD BLOCKING IN WALL FOR MOUNTING OF ALL WALL-MOUNTED ITEMS.
 2. SOAP, PAPER TOWEL, AND TOILET PAPER DISPENSERS FURNISHED BY OWNER, INSTALLED BY G.C.



7 ENLARGED PLAN
SCALE: 1/4" = 1'-0"
1' 2' 4' 8'



8 SECTION
SCALE: 1/4" = 1'-0"
1' 2' 4' 8'

