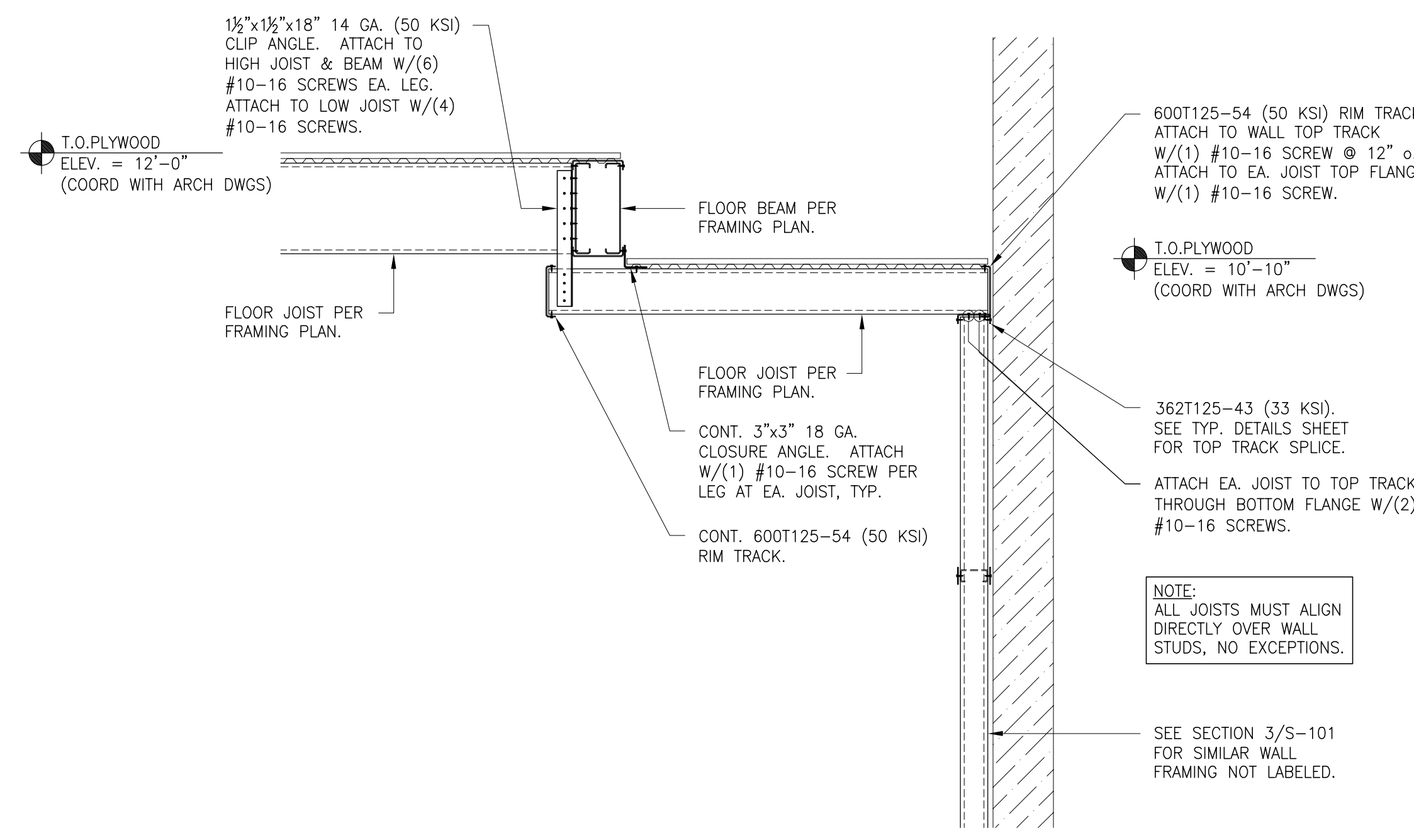
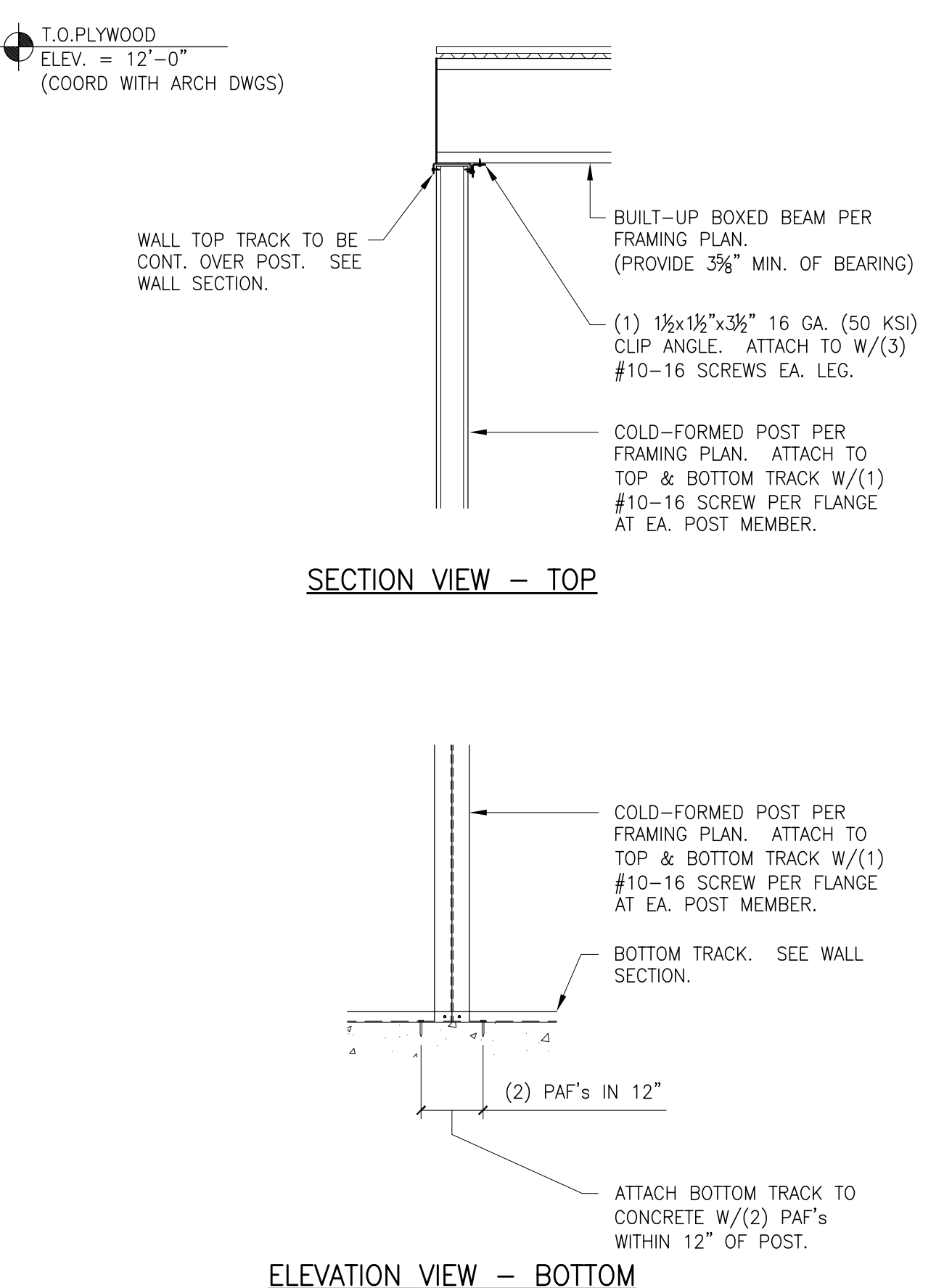


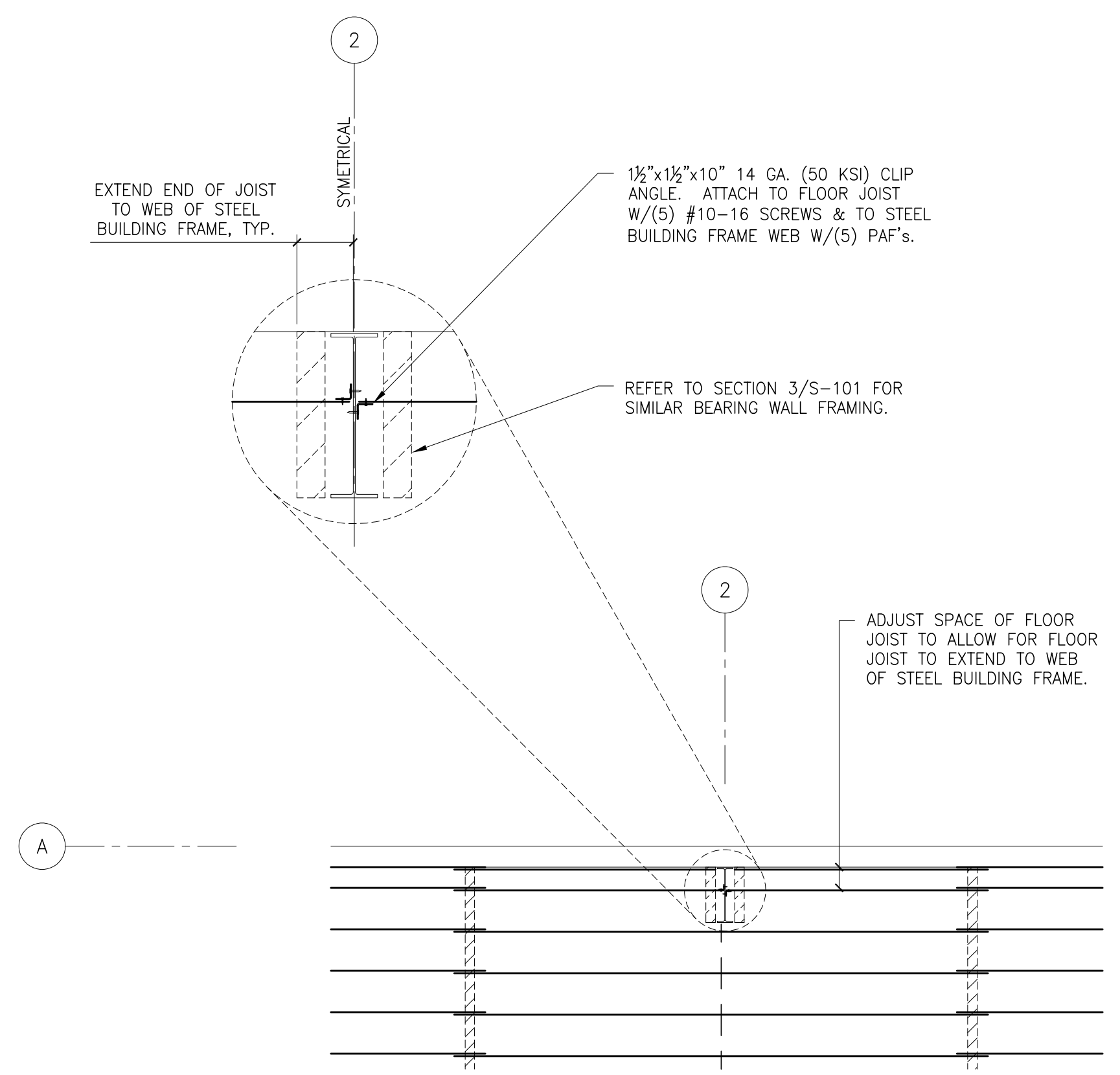
Rev.	Date	Description
	09/13/17	PERMIT SET
	10/18/17	PERMIT SET



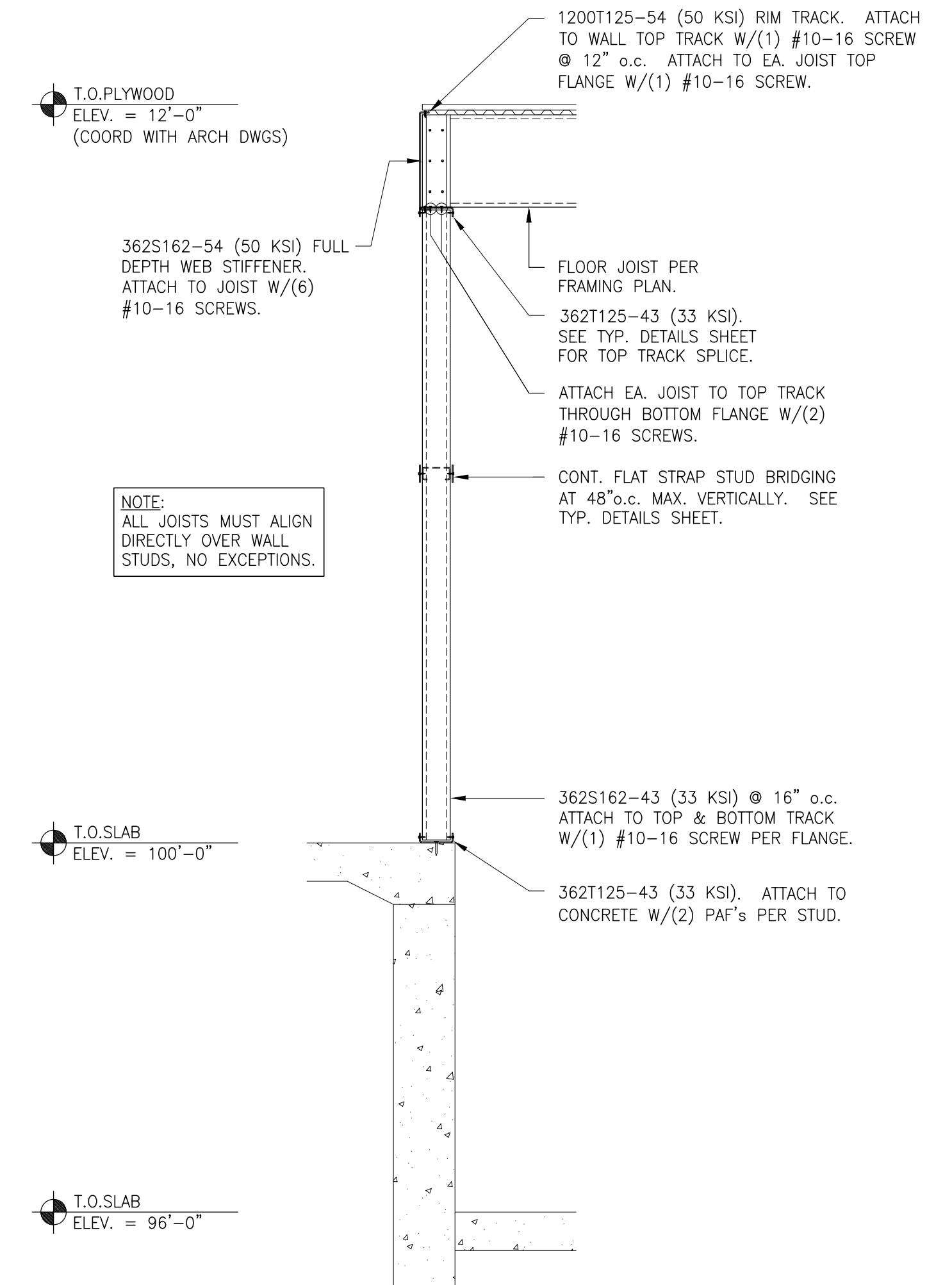
5 WALL SECTION
 SCALE: 3/4" = 1'-0"



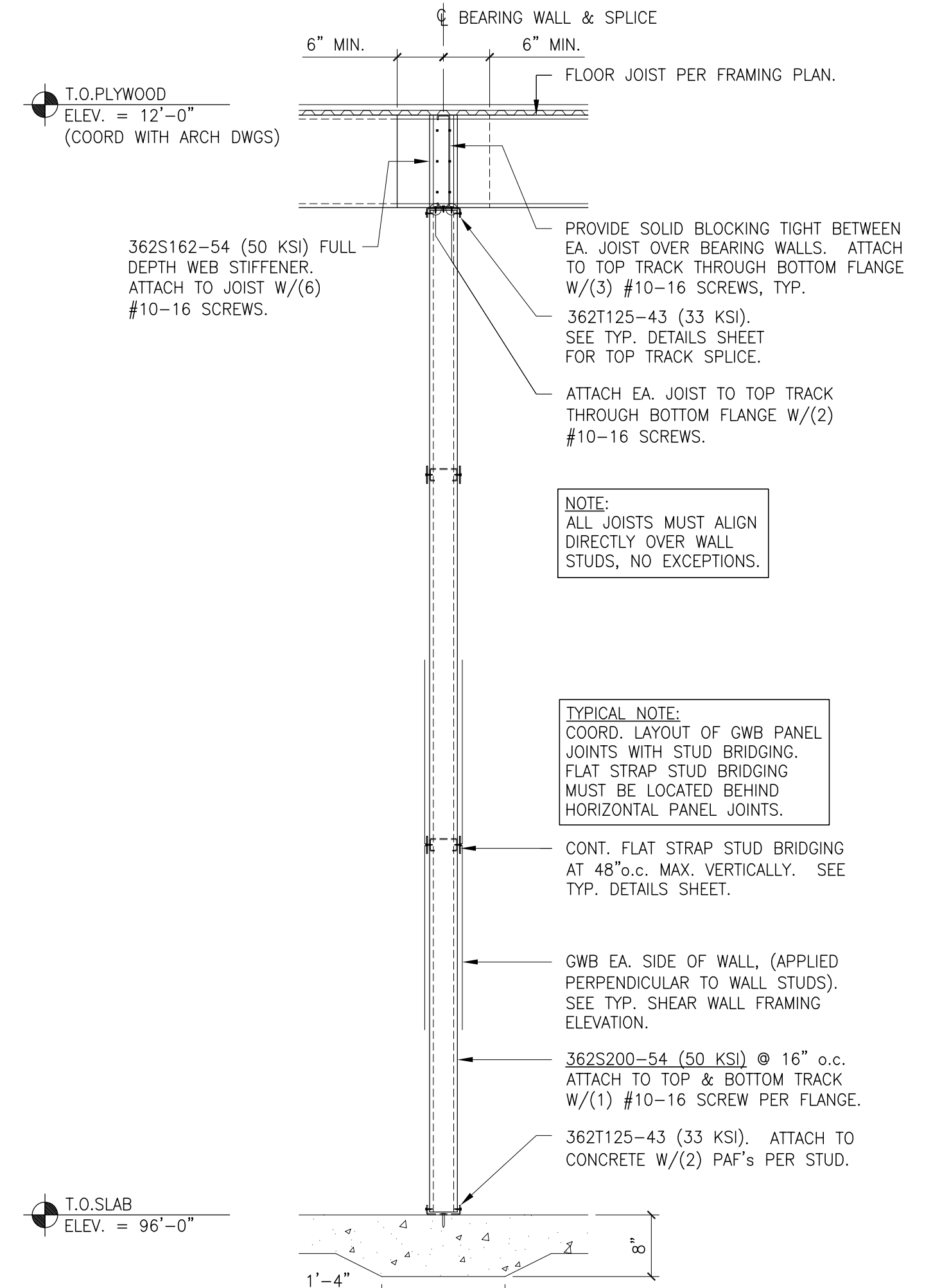
6 DETAIL: TYPICAL POST CONNECTIONS
 SCALE: 3/4" = 1'-0" (POST TO CONCRETE & BEAM TO POST CONNECTIONS)



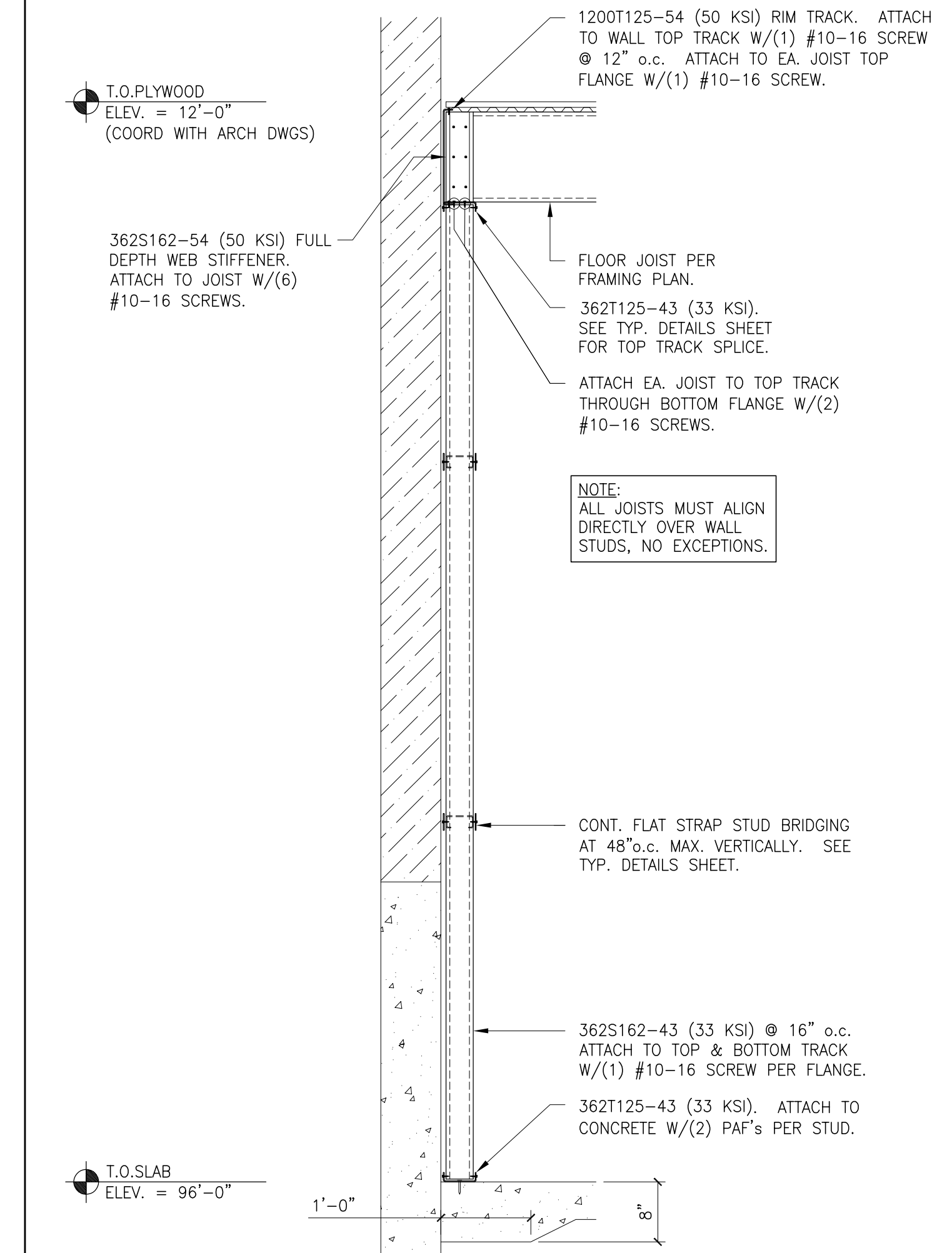
7 PLAN DETAIL: MEZZANINE
 SCALE: 3/4" = 1'-0" (NOT TO SCALE REF: 1 & 2/A1 REF: SSK-01)



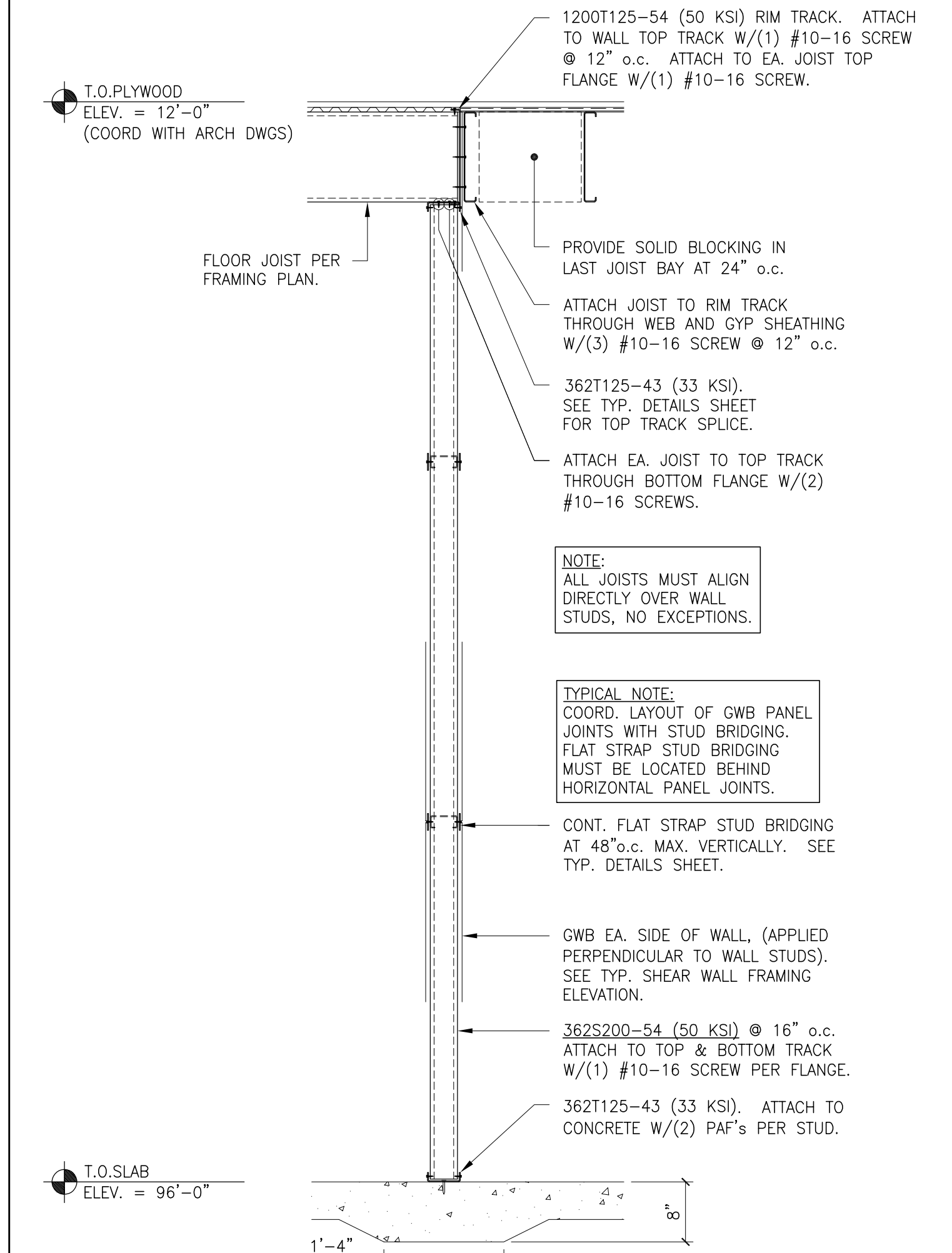
1 WALL SECTION
 SCALE: 3/4" = 1'-0"



2 WALL SECTION
 SCALE: 3/4" = 1'-0"



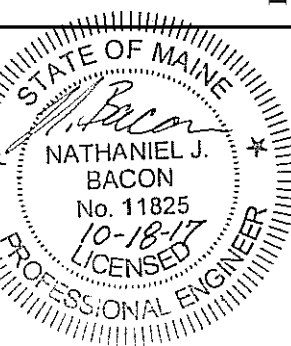
3 WALL SECTION
 SCALE: 3/4" = 1'-0"



4 WALL SECTION
 SCALE: 3/4" = 1'-0"

Unit #15 - Second Tee Business Park
 Tenant Fit-Up - Mezzanine Framing

71 Caddie Lane, Portland, Maine



Project Number: 17045-1
 Drawn By: LP
 Reviewed By: MB / NB

Sheet Title:
 WALL SECTIONS AND DETAILS

Sheet Number:
 S-101