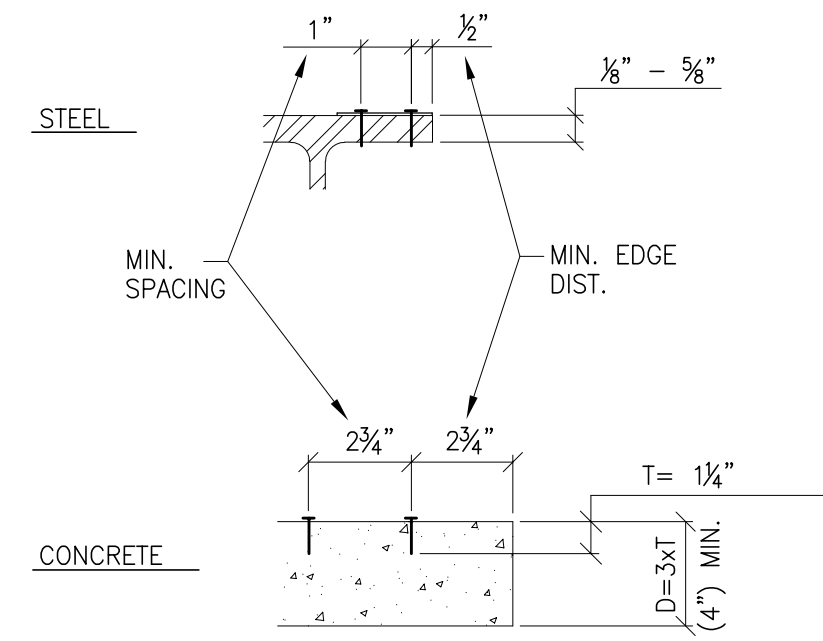
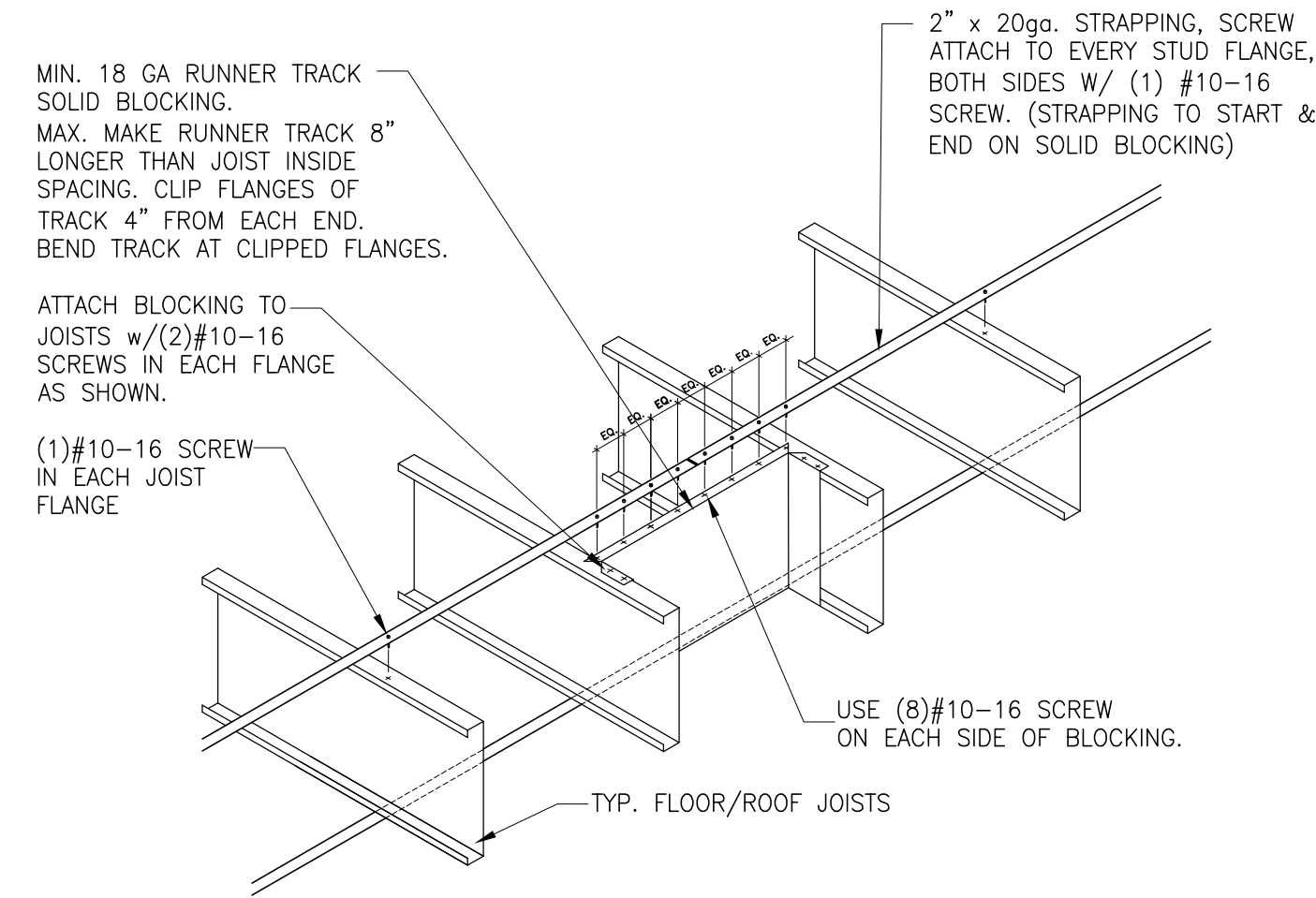


NOTE:
PAF MIN. EDGE DISTANCE
& SPACING PER HILTI.



**POWDER ACTUATED FASTENERS
MIN. SPACING & EDGE DISTANCE**
SCALE: N.T.S.

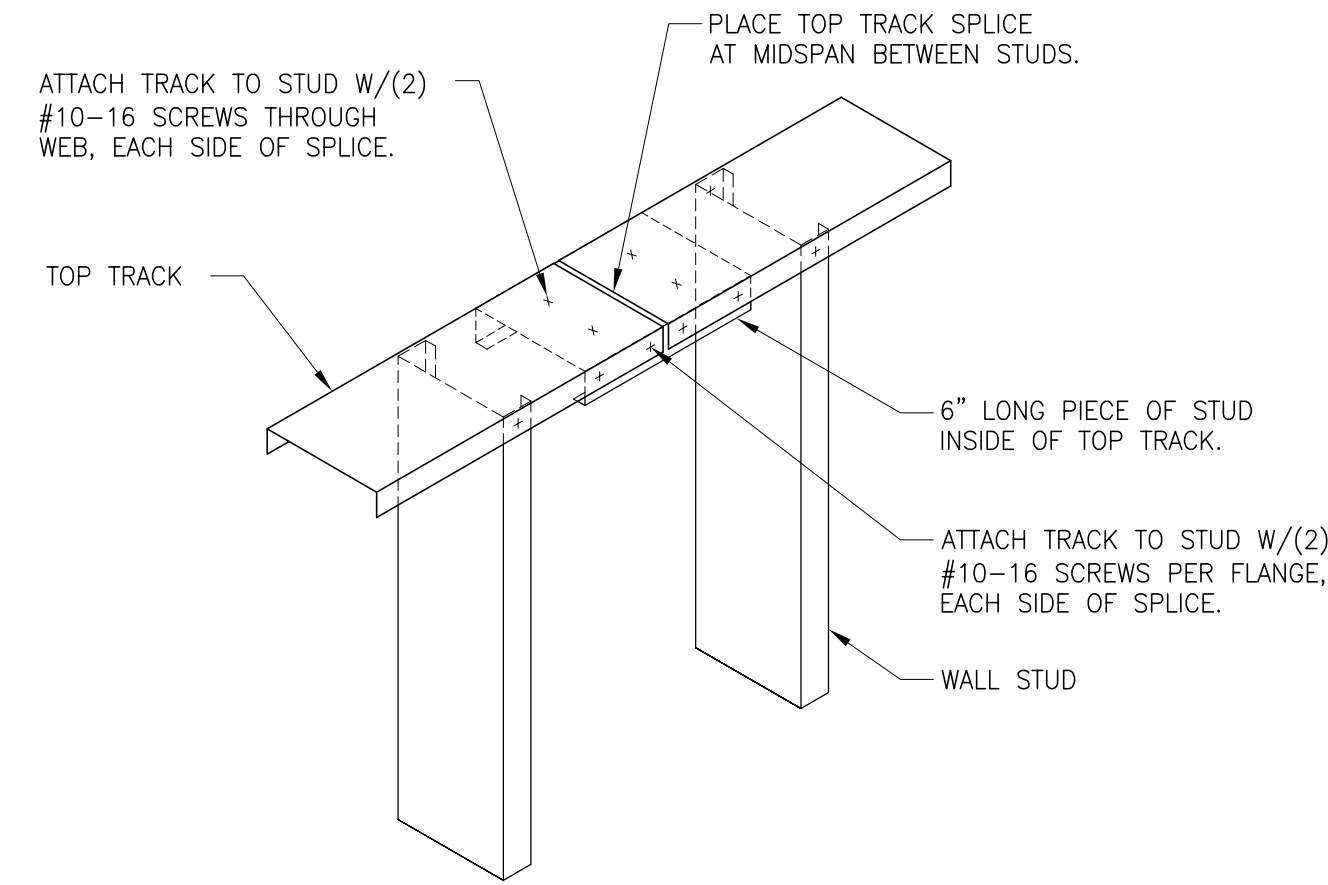
BLOCKING NOTE:
PLACE SOLID BLOCKING AT ENDS
OF FLOOR SYSTEM, ADJACENT
TO ALL OPENINGS, AND AT
10'-0" o.c. MAX.



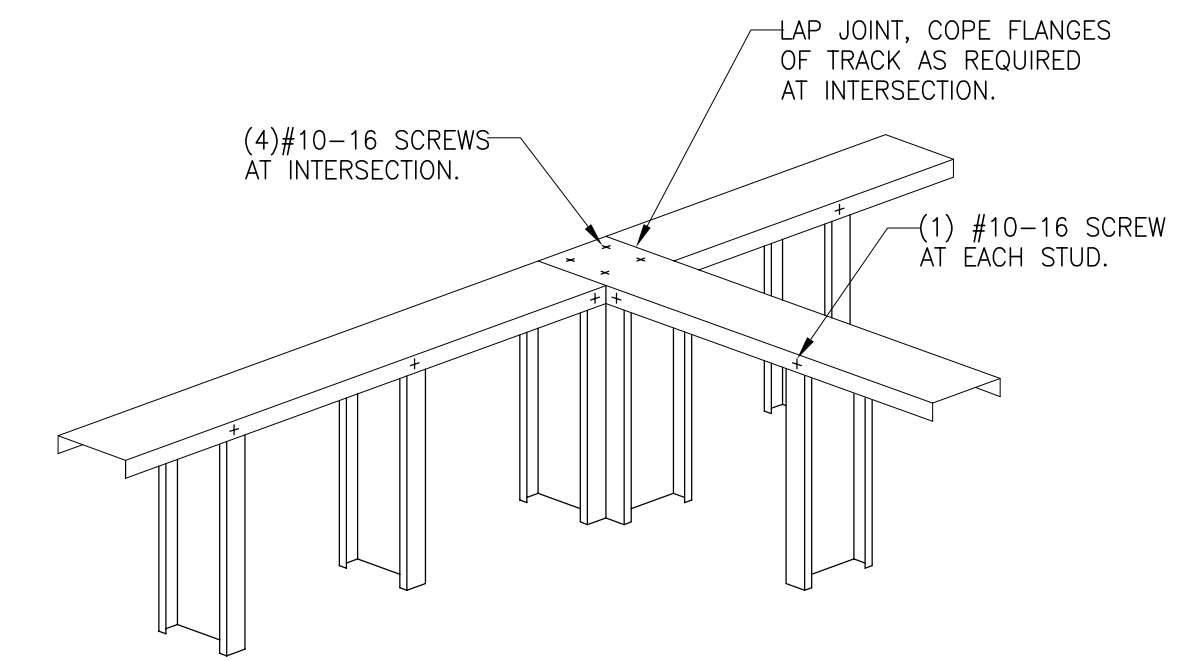
JOIST BRIDGING DETAIL
SCALE: N.T.S.

NOTES:

-DO NOT SPLICE TOP TRACK OVER WINDOW
AND DOOR ROUGH OPENINGS.

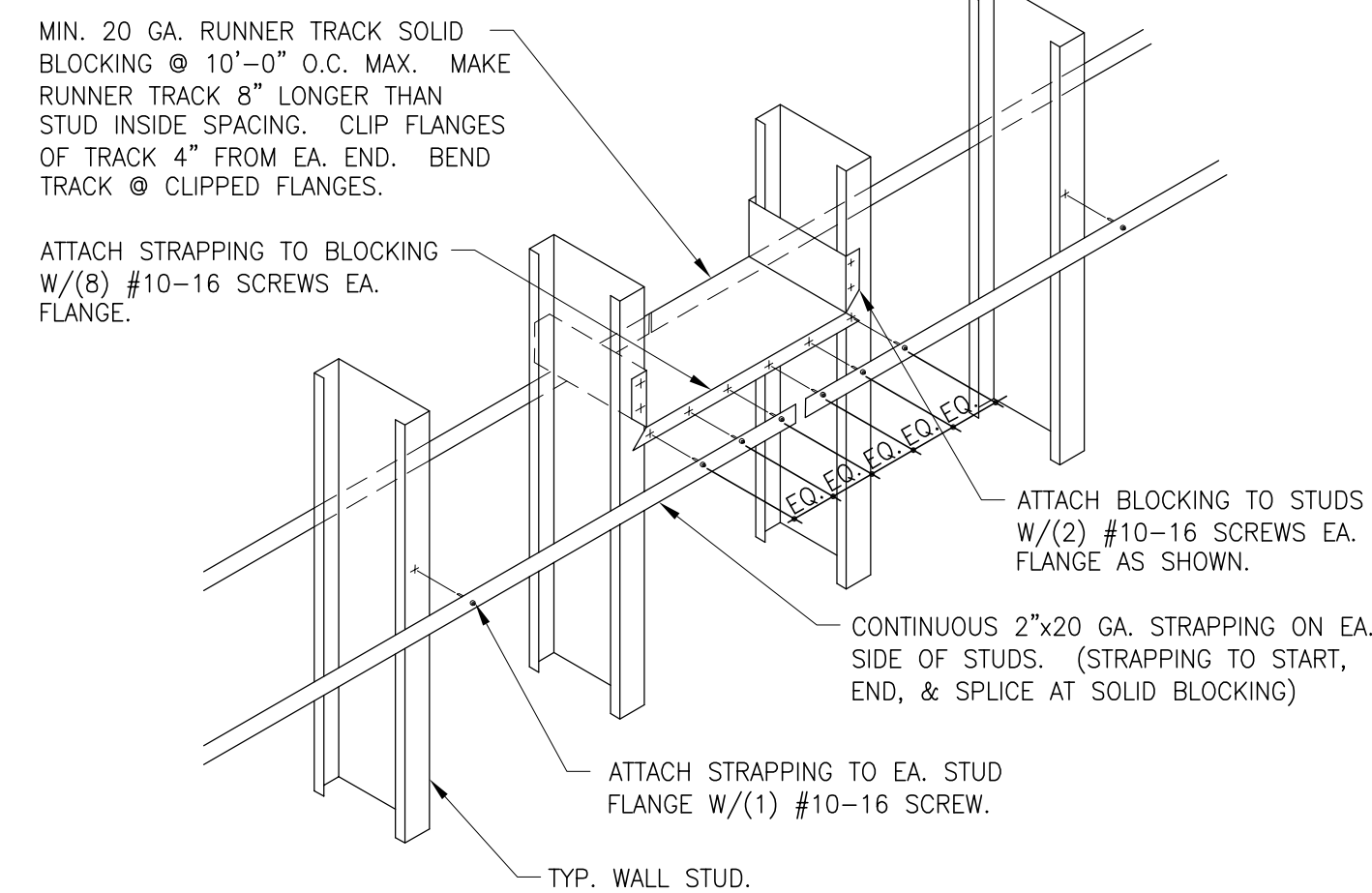


TYPICAL TOP TRACK SPLICE DETAIL
SCALE: N.T.S. RUNNER TRACK SPLICE -- SCREW ATTACHED

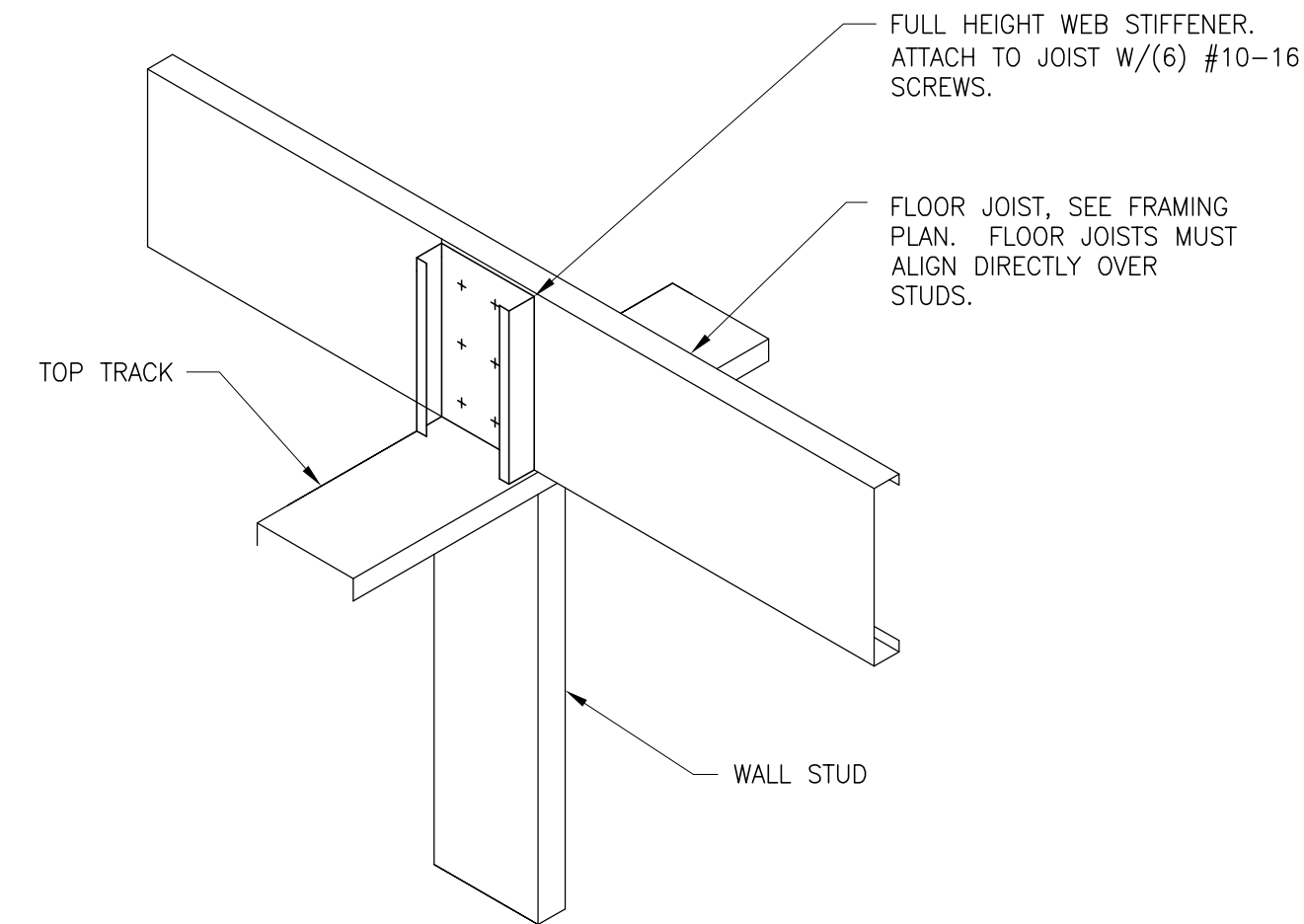


TYPICAL INTERSECTION TIE DETAIL
SCALE: N.T.S. COPE FLANGES OF TRACKS @ INTERSECTION

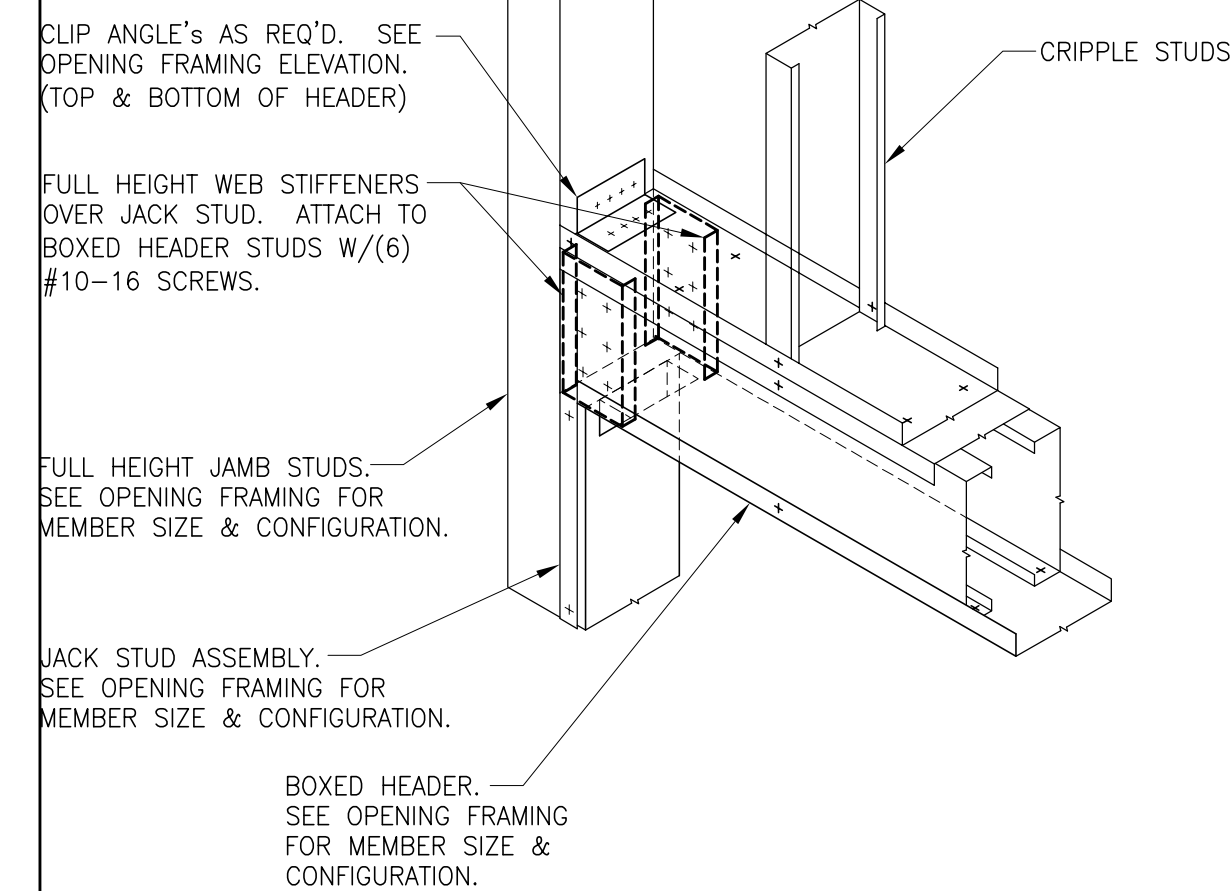
SOLID BLOCKING NOTE:
PLACE SOLID BLOCKING AT ENDS OF
WALL SYSTEM, ADJACENT TO ALL
OPENINGS, AND AT 10'-0" O.C. MAX.



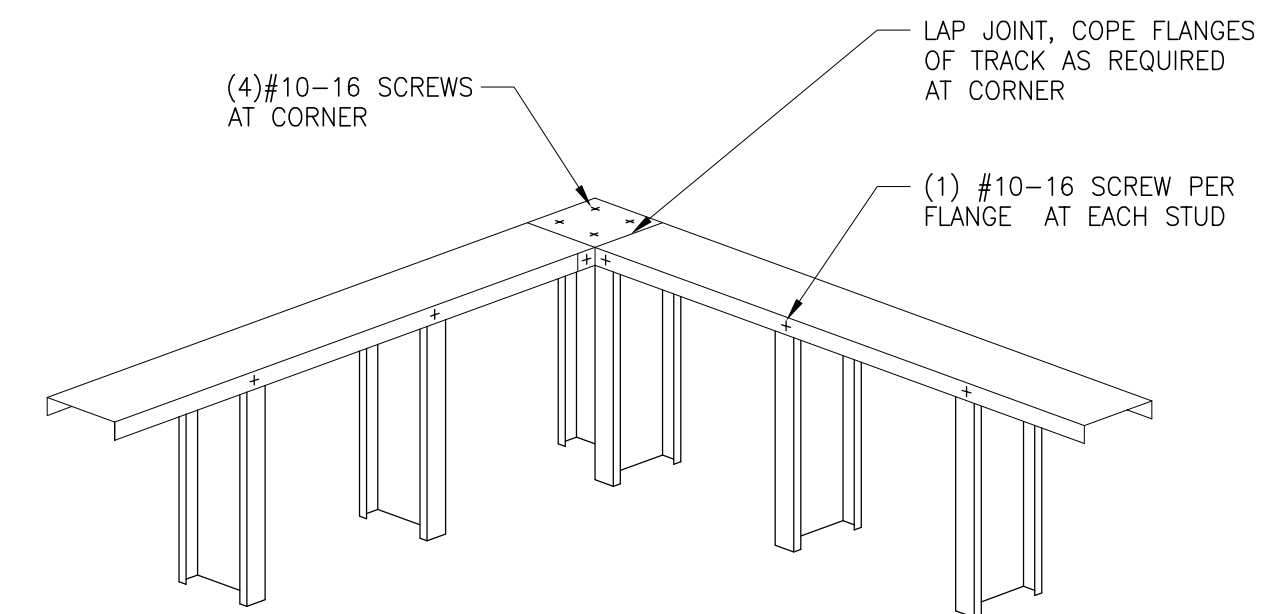
FLAT STRAP BRIDGING DETAIL
SCALE: N.T.S.



WEB STIFFENERS
SCALE: N.T.S.



BOXED HEADER WEB STIFFENERS
SCALE: N.T.S.



TYPICAL CORNER TIE DETAIL
SCALE: N.T.S. COPE FLANGES OF TRACKS @ CORNER

base

design group, inc.

94 Auburn Street, Unit 206, Portland, Maine 04103
t: 207.553.2070 f: 207.553.2072
www.basegroup.com

Prepared For:
Michael Charek Architects
Portland, Maine

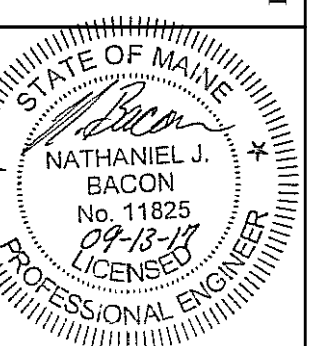
Rev.	Date	Description
1	09/13/17	PERMIT SET

Issue Date:
09/13/17

**Unit #15 - Second Tee Business Park
Tenant Fit-Up - Mezzanine Framing**

71 Caddie Lane, Portland, Maine

Project Information:



Project Number: 17045-1
Drawn By: LP
Reviewed By: MB / NB

Sheet Title:
**TYPICAL
FRAMING
DETAILS**

Sheet Number:
S-104

© Copyright BDG 2017