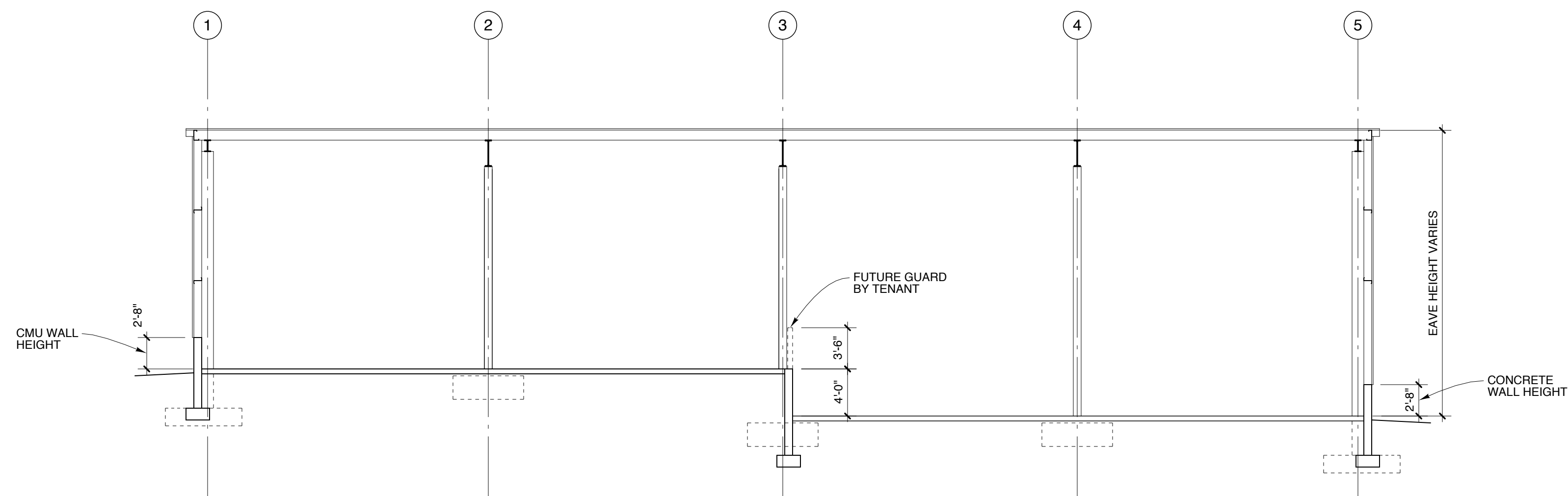


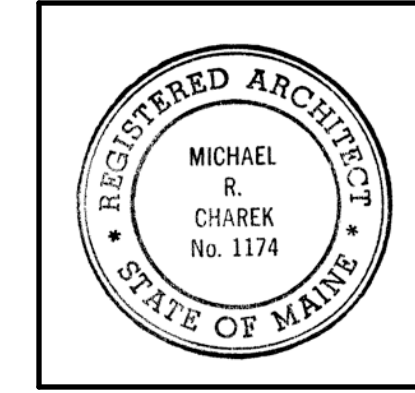
1 SECTION
 SCALE: 1/8" = 1'-0"
 2' 4' 8' 16'



2 SECTION
 SCALE: 1/8" = 1'-0"
 2' 4' 8' 16'

Michael Charek Architects

25 Hartley Street
 Portland, Maine 04103
 (207) 761-0656



**Unit #15
 Second Tee Business Park**

71 Caddis Lane
 Portland, ME 04103

Title
 SECTIONS AND DETAILS

Scale: AS NOTED
Date: 7/24/17

Revisions

Sheet
A4