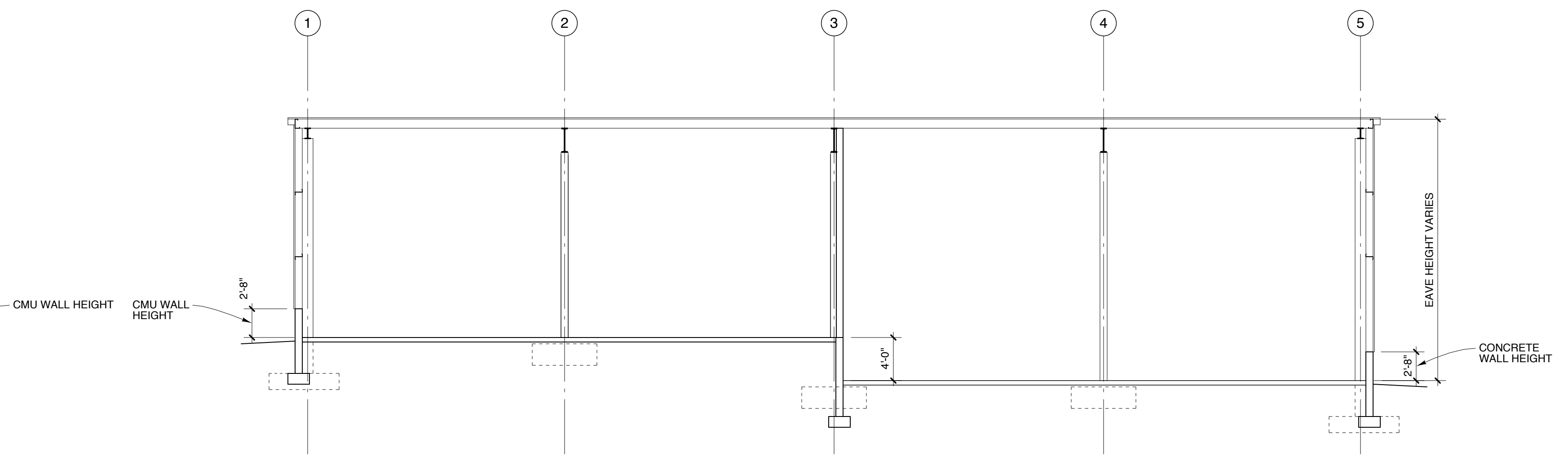
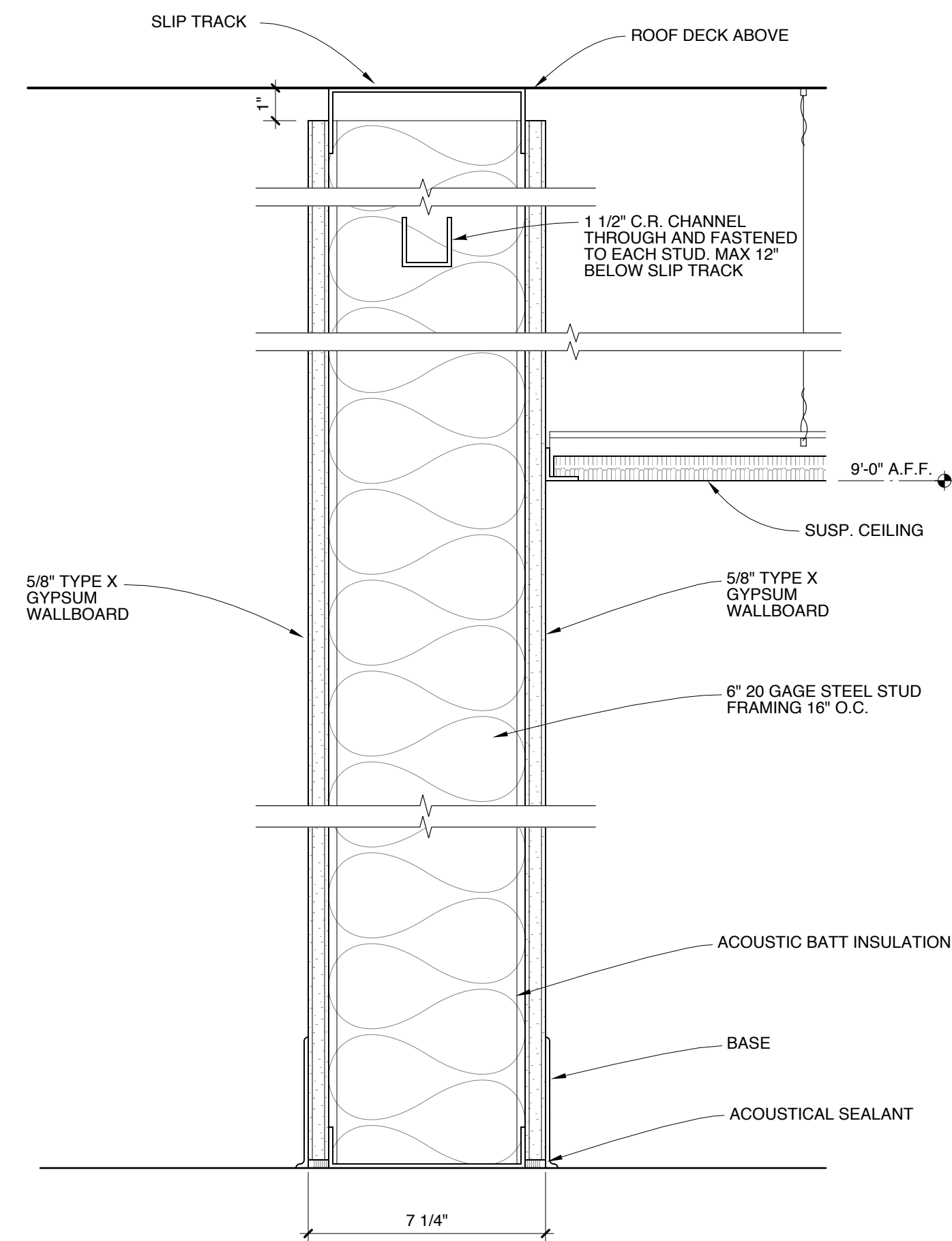


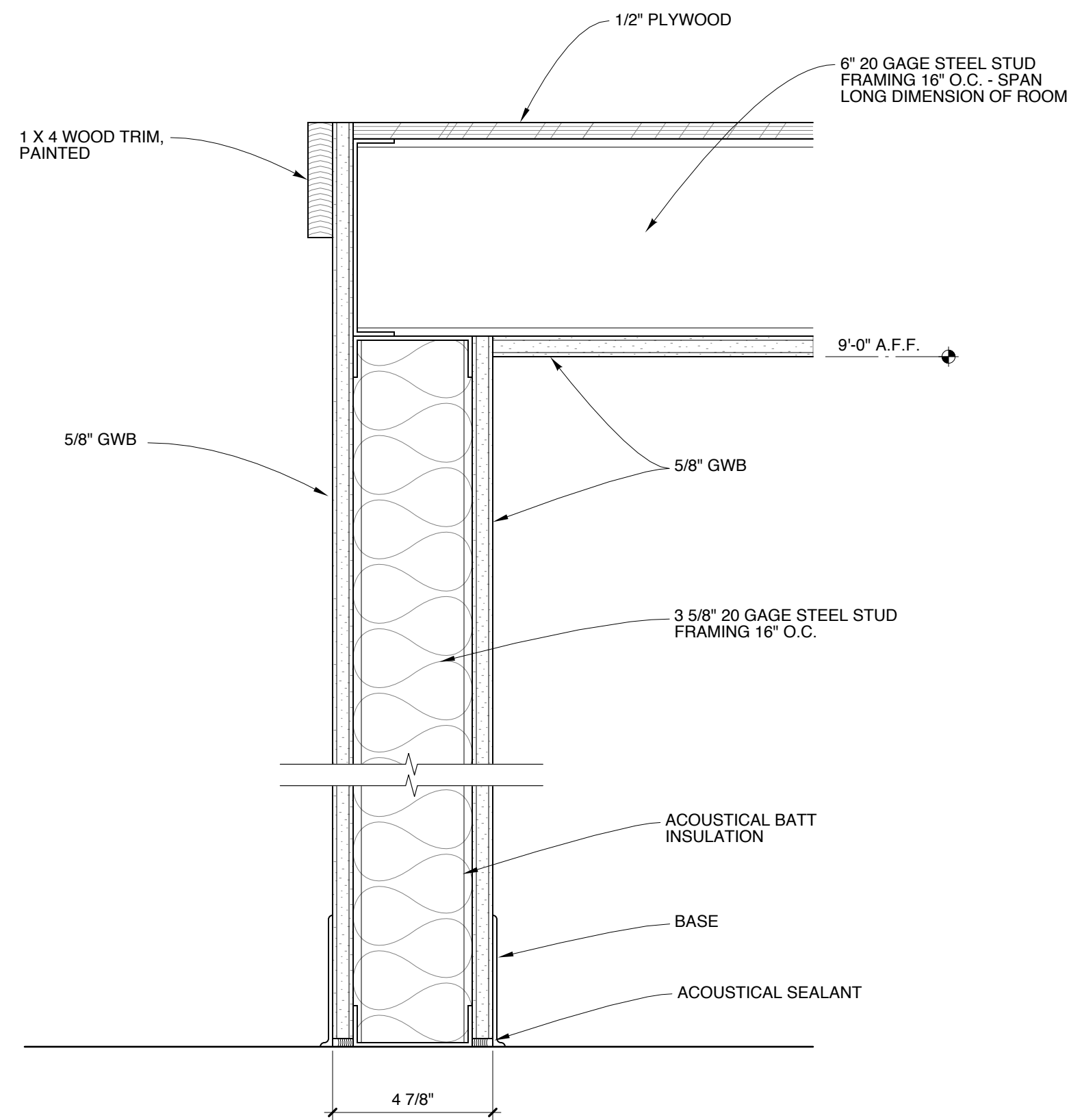
1 SECTION
SCALE: 1/8" = 1'-0"
2' 4' 8' 16'



2 SECTION
SCALE: 1/8" = 1'-0"
2' 4' 8' 16'



3 PARTITION TYPE P1
SCALE: 3/8" = 1'-0"
1" 2" 4" 8"



4 PARTITION TYPE P2
SCALE: 3/8" = 1'-0"
1" 2" 4" 8"
NOTE: CEILING STRUCTURE NOT RATED FOR STORAGE



Title

SECTIONS AND DETAILS

Scale: AS NOTED

Date: 4/17/17

Revisions

Sheet

A4