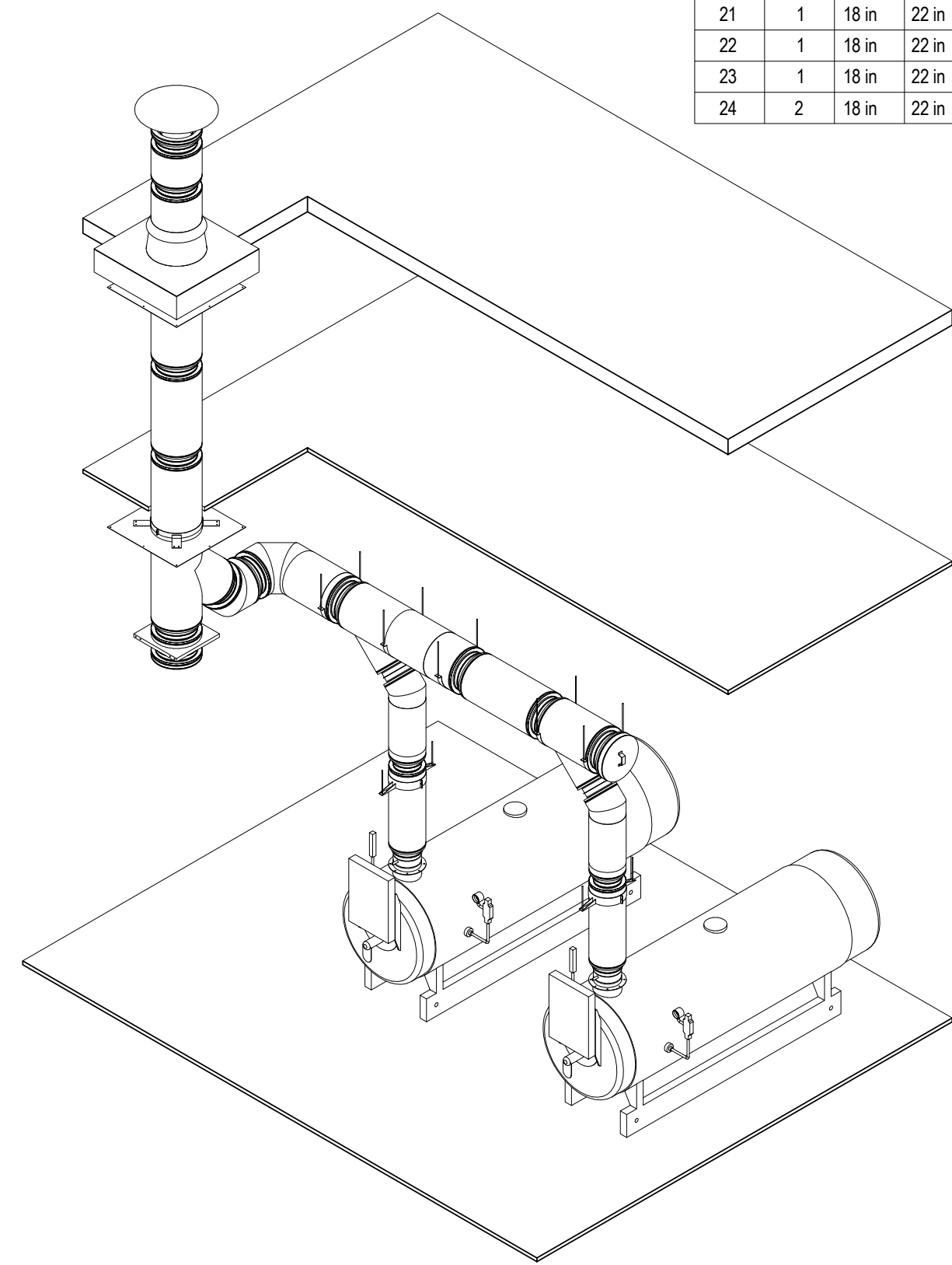
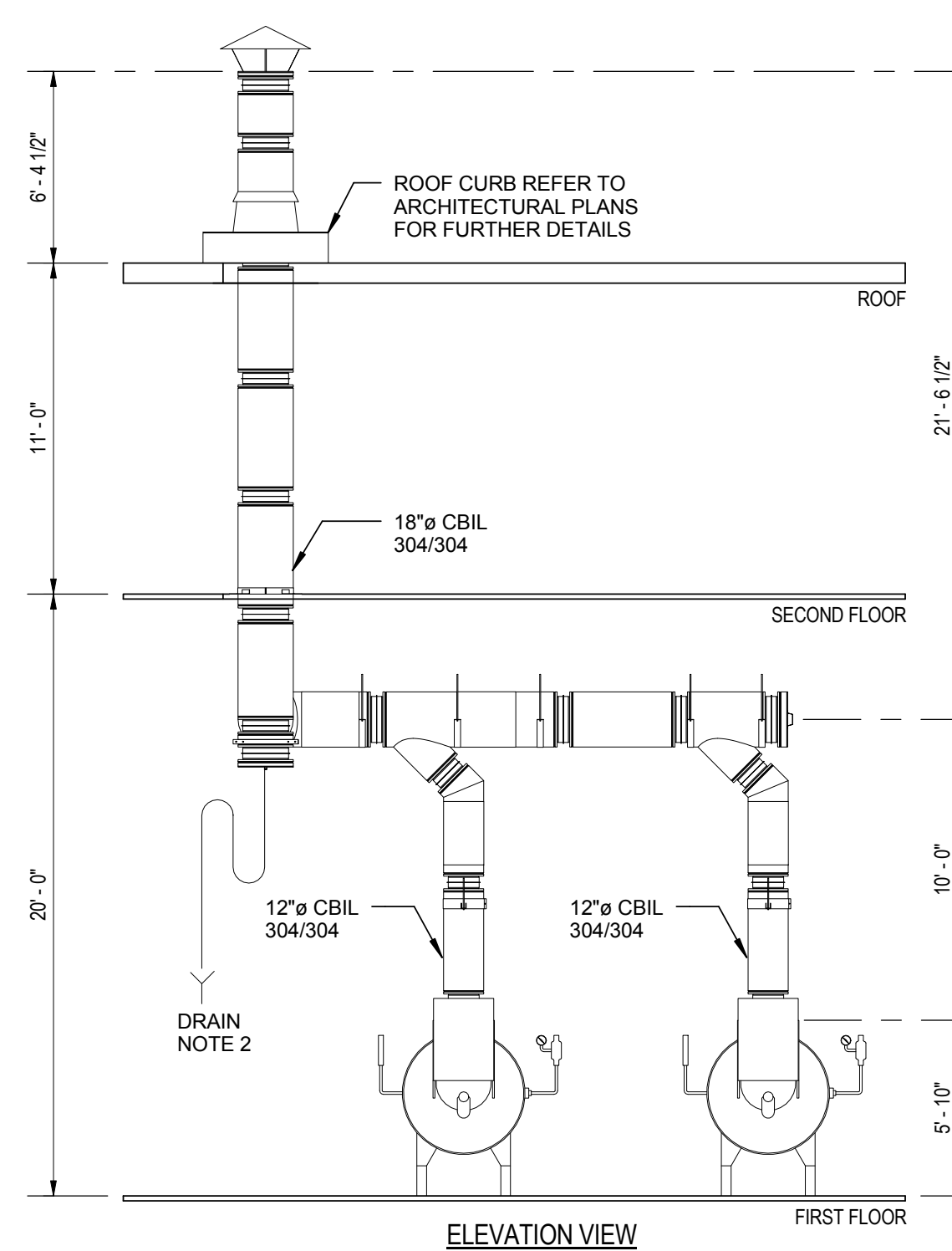
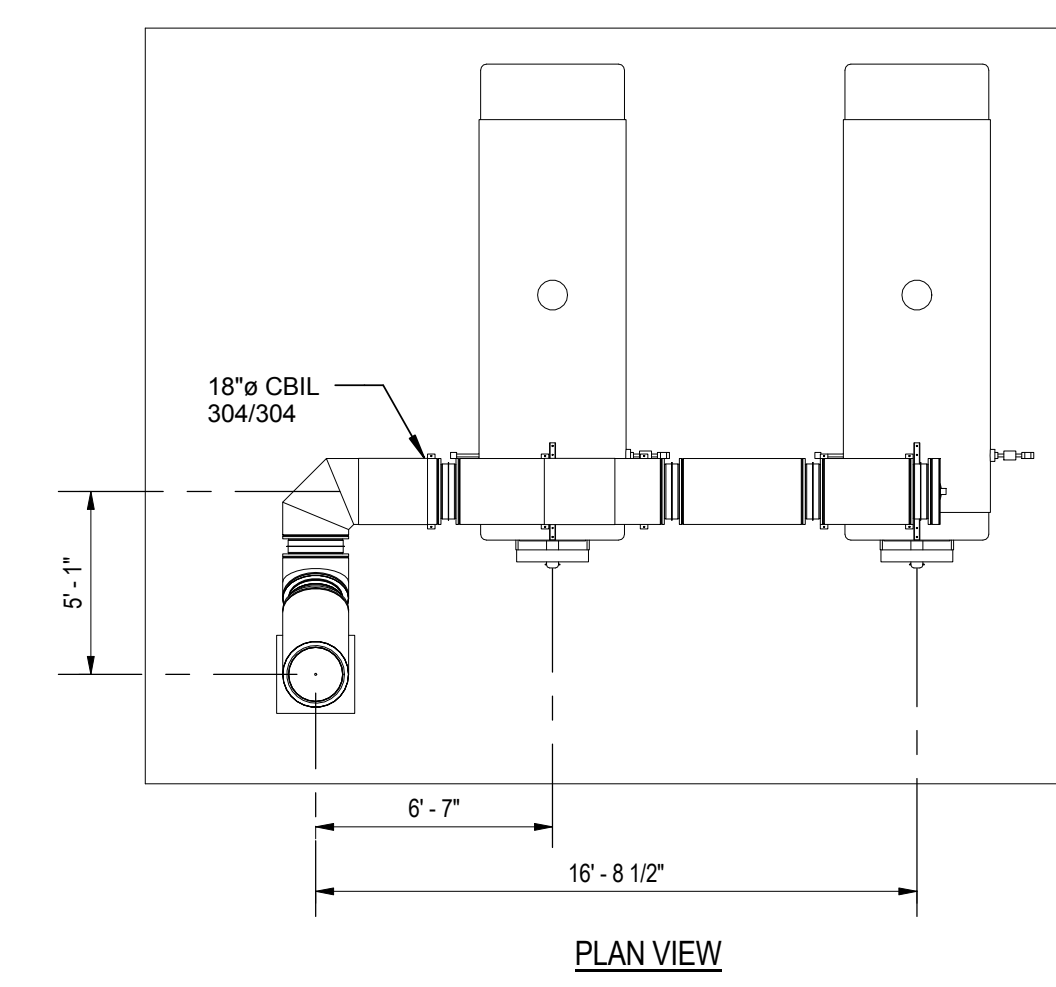


ITEM	QTY	ID	OD	DESCRIPTION	PART NUMBER	
1	2			STARTING ADAPTER	CBLSAD120404-CS	
2	2		18 in	SUSPENSION BAND	CBLSB120404-CS	
3	5		22 in	HANGER BRACKET	CBLHB180404-CS	
4	2		22 in	FIRE STOP	CBLSFS180404-GAL	
5	1		22 in	ROOF SUPPORT	CBLSRS180404-CS	
6	1		22 in	STORM COLLAR	CBLS180404-04	
7	1		22 in	WALL SUPPORT	CBLSWS180404-CS	
8	2		18 in	VARIABLE LENGTH	CBLLV120404	
9	2		18 in	12' LENGTH	CBLL12L120404	
10	2		18 in	48' LENGTH	CBLL48L120404	
11	2		18 in	48' ELBOW	CBLE48E120404	
12	1		18 in	22 in	12' LENGTH	CBLL12L180404
13	1		18 in	22 in	FLAT FLASHING	CBLLF180404-04
14	1		18 in	22 in	FLOOR GUIDE	CBLLFG180404-CS
15	1		18 in	22 in	RAIN CAP	CBLLRC180404
16	2		18 in	22 in	VARIABLE LENGTH	CBLLV180404
17	2		18 in	24' LENGTH	CBLL24L180404	
18	5		18 in	22 in	48' LENGTH	CBLL48L180404
19	1		18 in	22 in	TEE CAP	CBLLTC180404
20	1		18 in	22 in	DRAIN TEE CAP	CBLLDC180404
21	1		18 in	22 in	45° ELBOW	CBLE45E180404
22	1		18 in	22 in	45° TEE	CBLE45T180404
23	1		18 in	22 in	90° ELBOW	CBLE90E180404
24	2		18 in	22 in	45° TEE 12 @ 18	CBLL45T12@180404

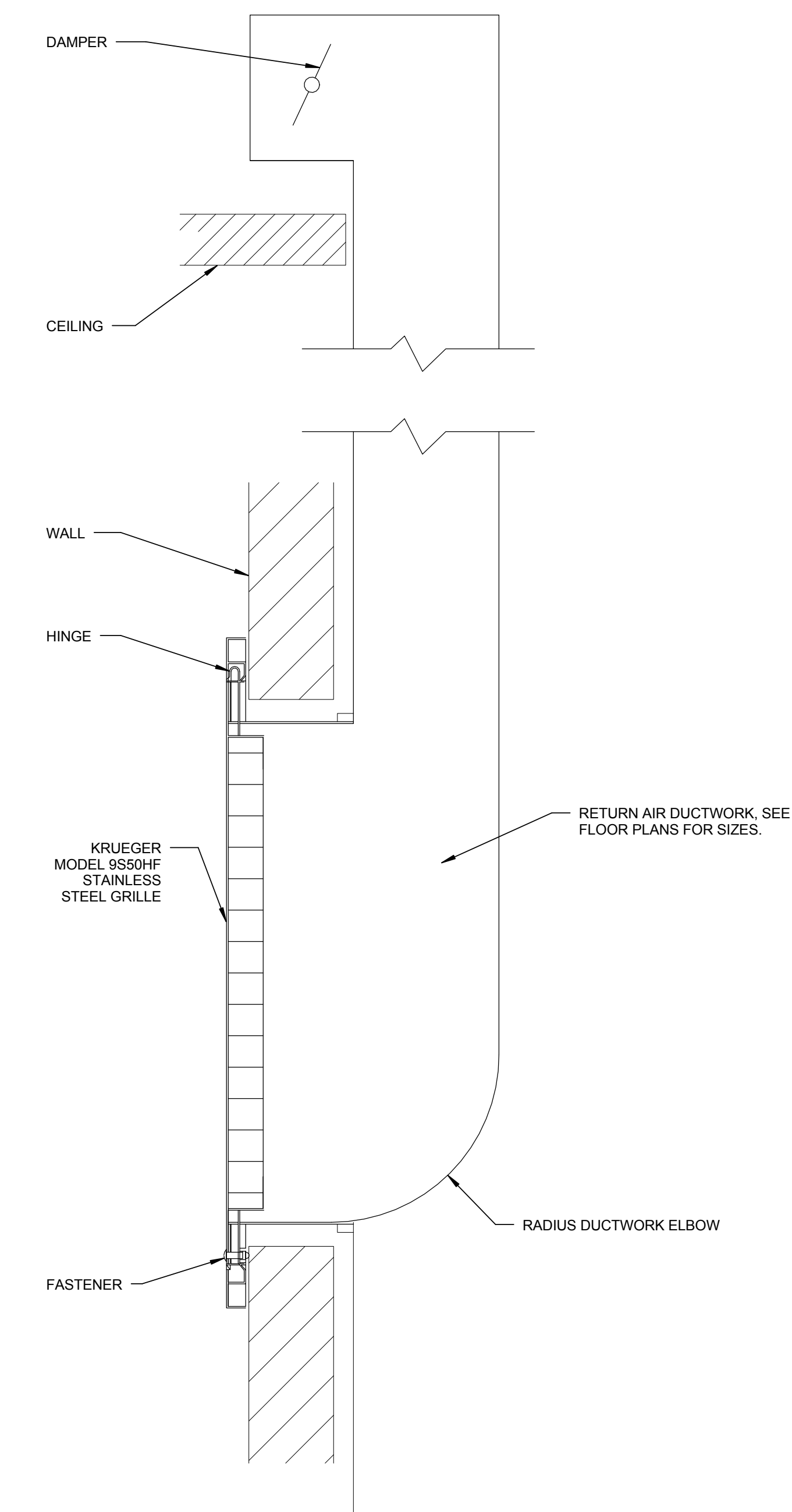


**1 BOILER VENT STACK DETAIL**  
MH-802-C N.T.S.

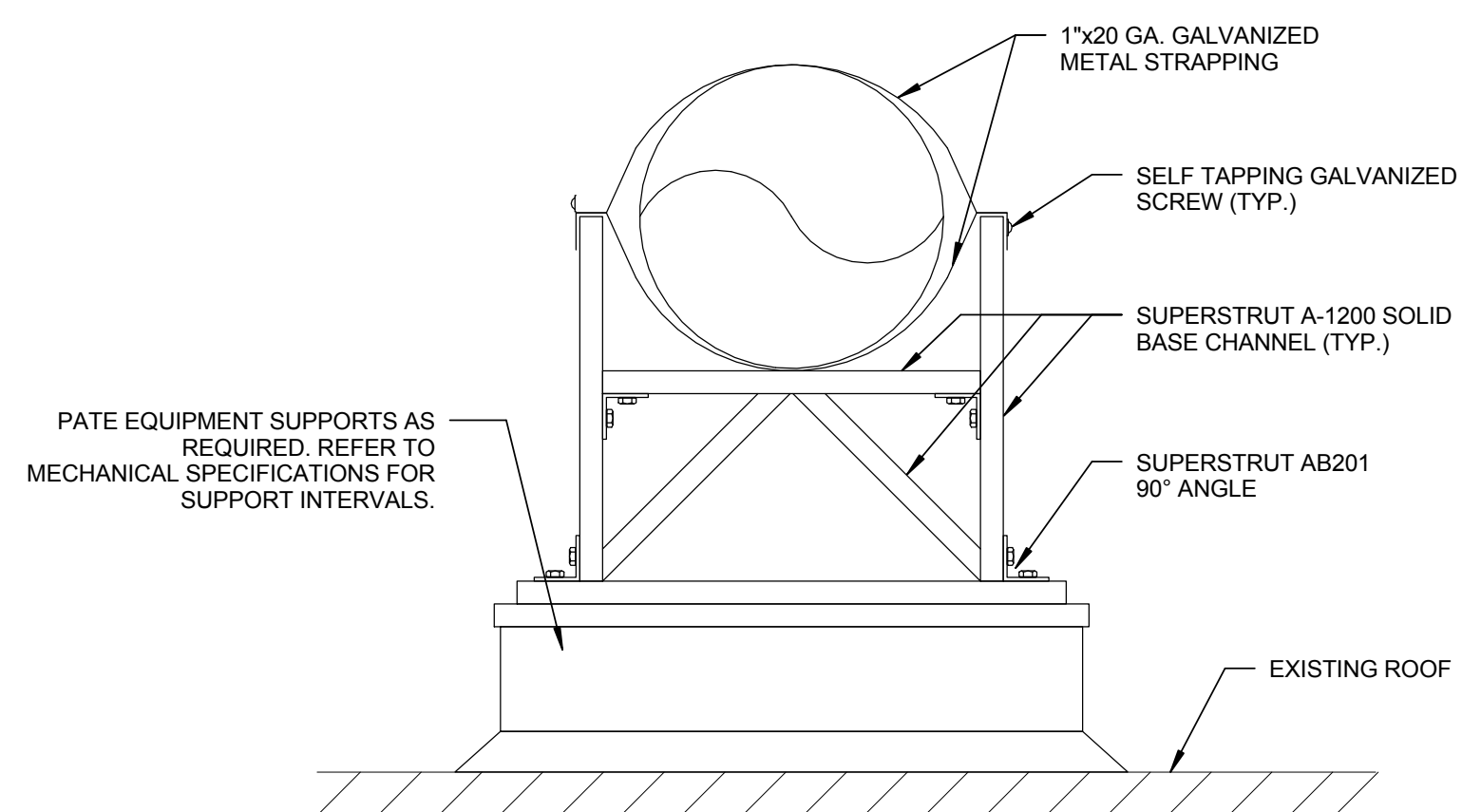


NOTES:  
1) EXACT DIMENSIONS SHOULD BE VERIFIED IN SHOP DRAWING PHASE OF THE PROJECT.  
2) PROVIDE TRAP AND DRAIN FOR BOILER STACK. FOLLOW MANUFACTURERS SIZING RECOMMENDATIONS.

**2 BOILER VENT STACK DETAIL**  
MH-802-C N.T.S.

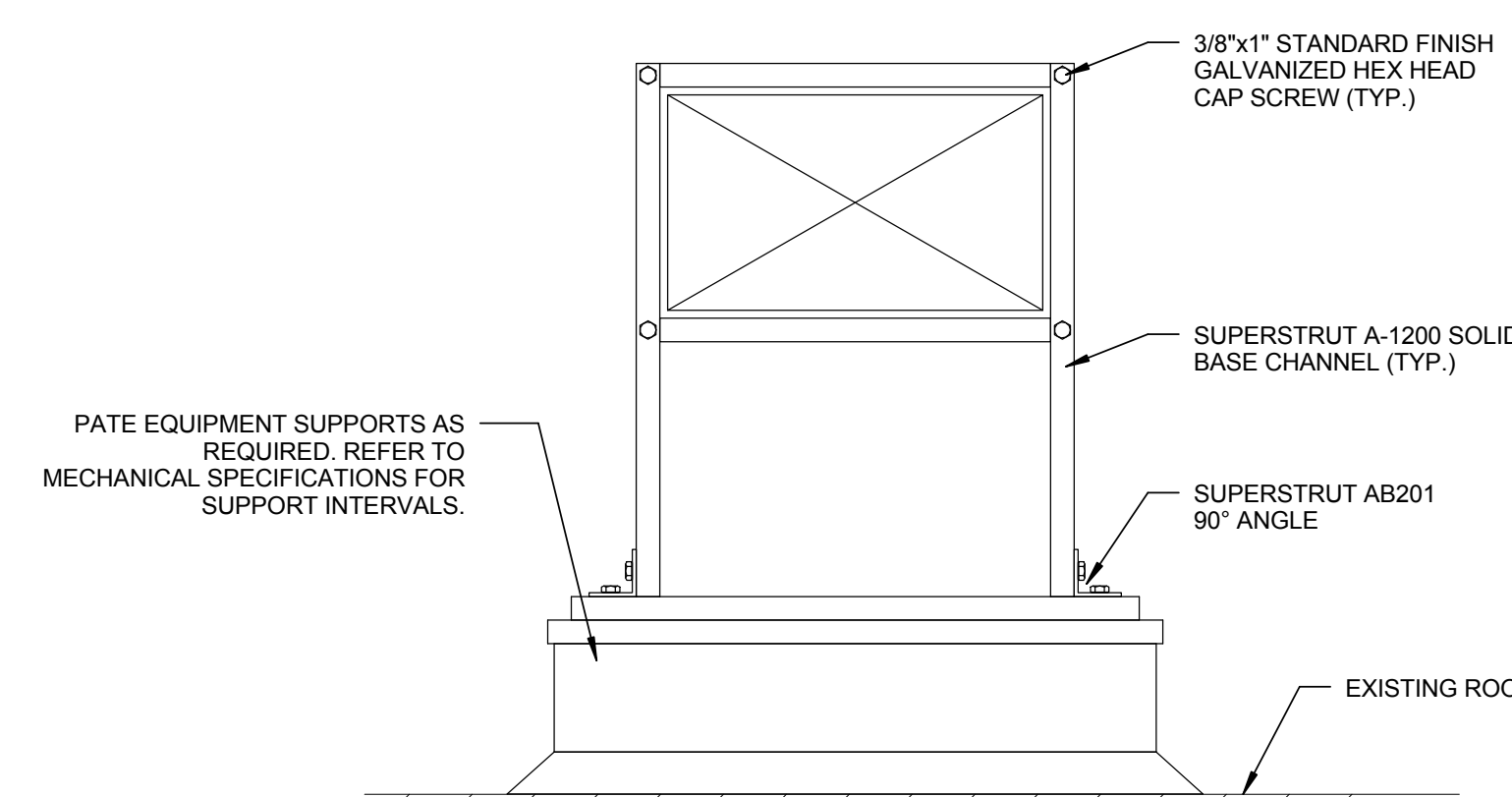


**3 WALL MOUNTED FILTER/DAMPER DETAIL**  
MH-802-C N.T.S.



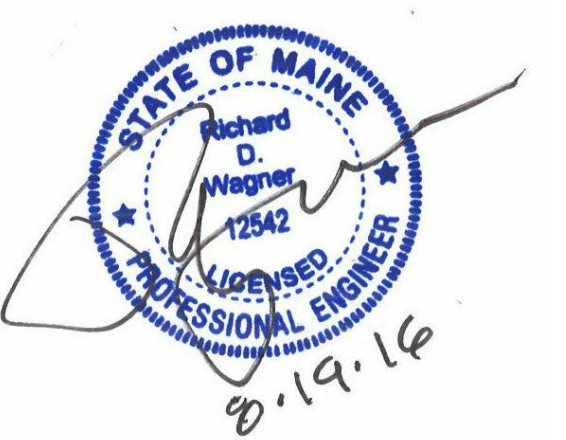
NOTE:  
1. ATTACH DUCTWORK SUPPORT FRAMING TO EQUIPMENT SUPPORT WITH SELF SEALING GASKETED HARDWARE.

**4 ROUND ROOF DUCT SUPPORT DETAIL**  
MH-802-C N.T.S.



NOTE:  
1. ATTACH DUCTWORK SUPPORT FRAMING TO EQUIPMENT SUPPORT WITH SELF SEALING GASKETED HARDWARE.

**5 RECTANGULAR DUCT SUPPORT DETAIL**  
MH-802-C N.T.S.



Revision	By	App'd	DD.MM.YYYY
0			08/19/2016
INTERIOR FIT-OUT - ISSUED FOR CONSTRUCTION			
<b>PACKAGE C - INTERIOR FIT-OUT</b> 08.19.2016			
PACKAGE B - SUPERSTRUCTURE & SHELL 08.05.2016			
PACKAGE A - FOUNDATIONS & BELOW SLAB 07.22.2016			
Issued			

Permit-Seal

Client/Project  
IMMUCELL

Lot 11 - Second Tee Business Park  
1039 Riverside Street  
Portland, Maine 04103

Title  
MECHANICAL DUCTWORK DETAILS

Project No. 191504176  
Scale As indicated  
Revision 0  
Drawing No.

**MH-802-C**