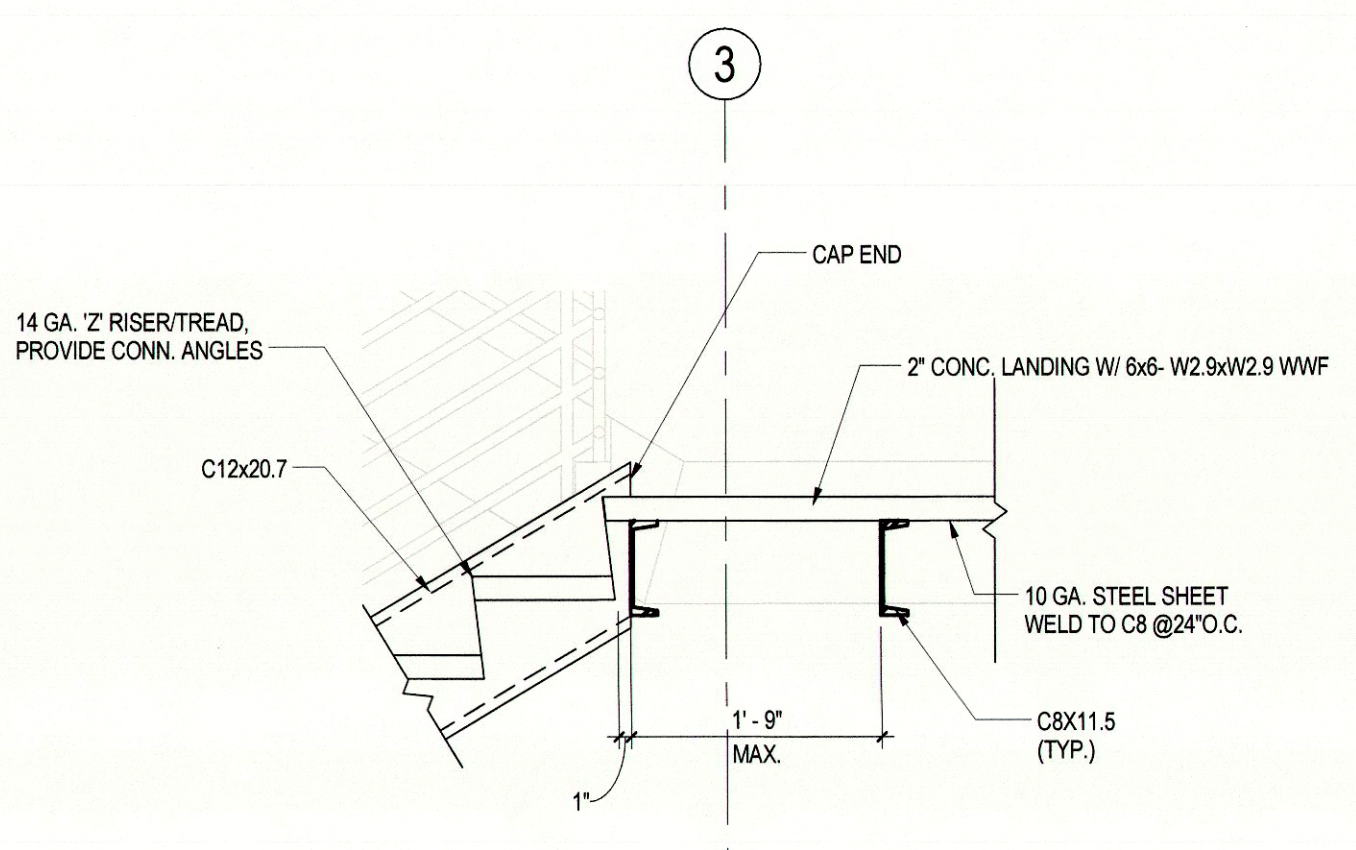
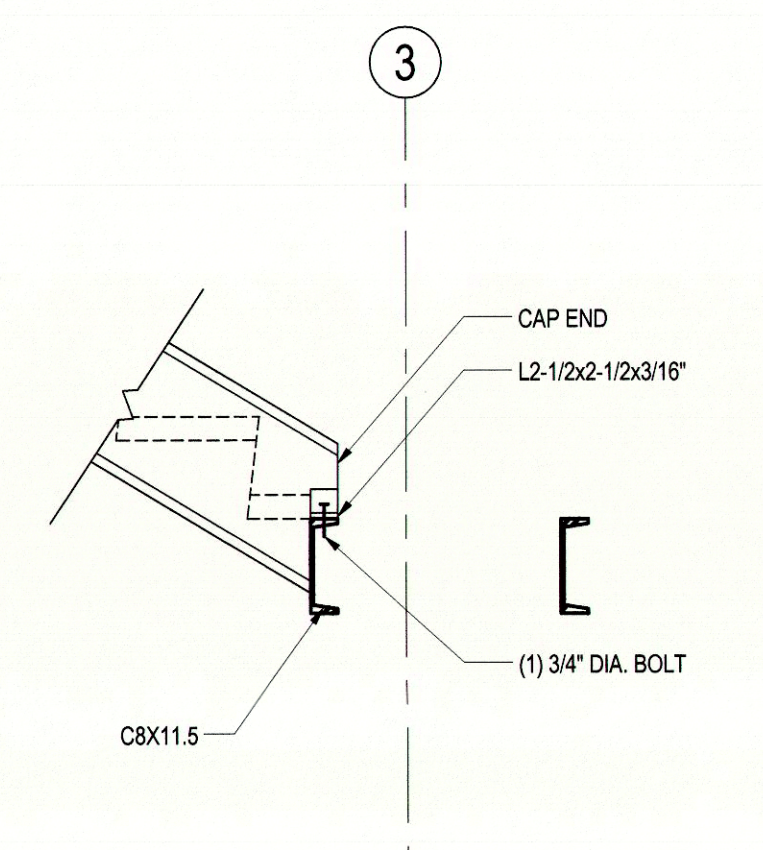


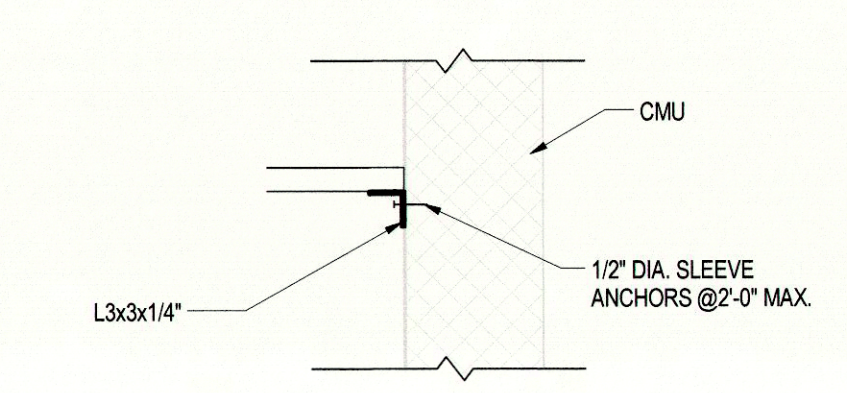
1 STAIR SECTION
 S-502-B 1/4" = 1'-0"



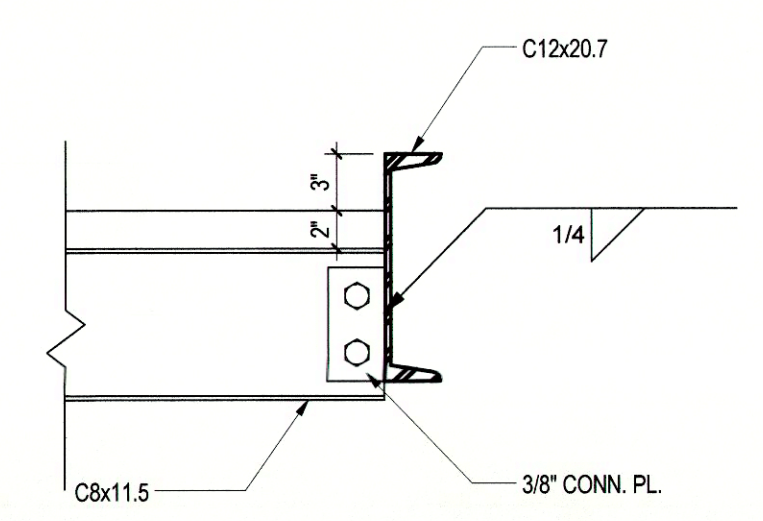
2 SECTION
 S-502-B 3/4" = 1'-0"



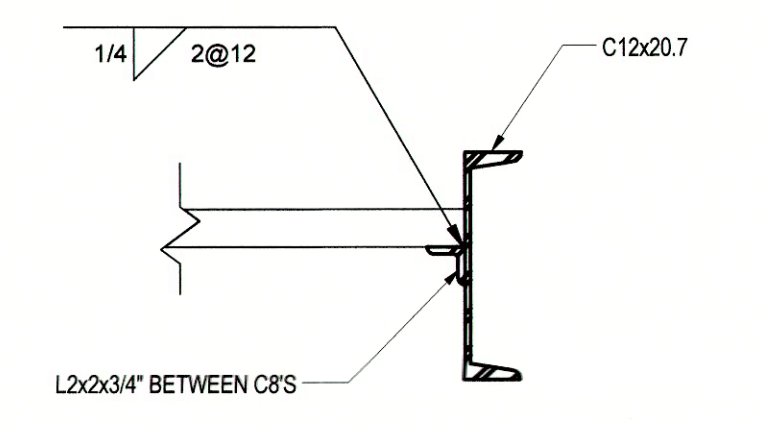
3 SECTION
 S-502-B 3/4" = 1'-0"



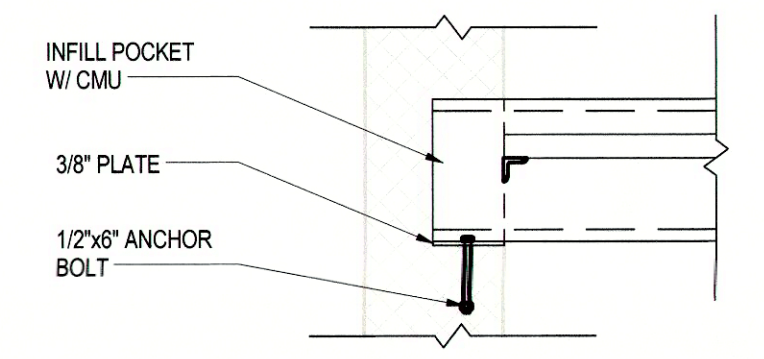
4 SECTION
 S-502-B 3/4" = 1'-0"



5 SECTION
 S-502-B N.T.S.



6 SECTION
 S-502-B N.T.S.



7 SECTION
 S-502-B 3/4" = 1'-0"

Revision	By	Appd	DD.MA.YYYY
0			08/05/2016
SUBSTRUCTURE & SHELL - ISSUED FOR CONSTRUCTION			
PACKAGE C - INTERIOR FRIUP			
PACKAGE B - SUPERSTRUCTURE & SHELL			
PACKAGE A - FOUNDATIONS & BELOW SLAB			
Issued			

Permit-Seal

 Client/Project
IMMUCELL

Lot 11 - Second Tee Business Park
 1039 Riverside Street
 Portland, Maine 04103

Title
STAIR DETAILS

Project No. 191504176
 Scale As Indicated
 Revision 0
 Drawing No.

S-502-B