

**GENERAL NOTES**

- REFER TO ABBREVIATIONS, SYMBOLS AND GENERAL NOTES ON DRAWING A-601-C FOR ADDITIONAL INFORMATION.

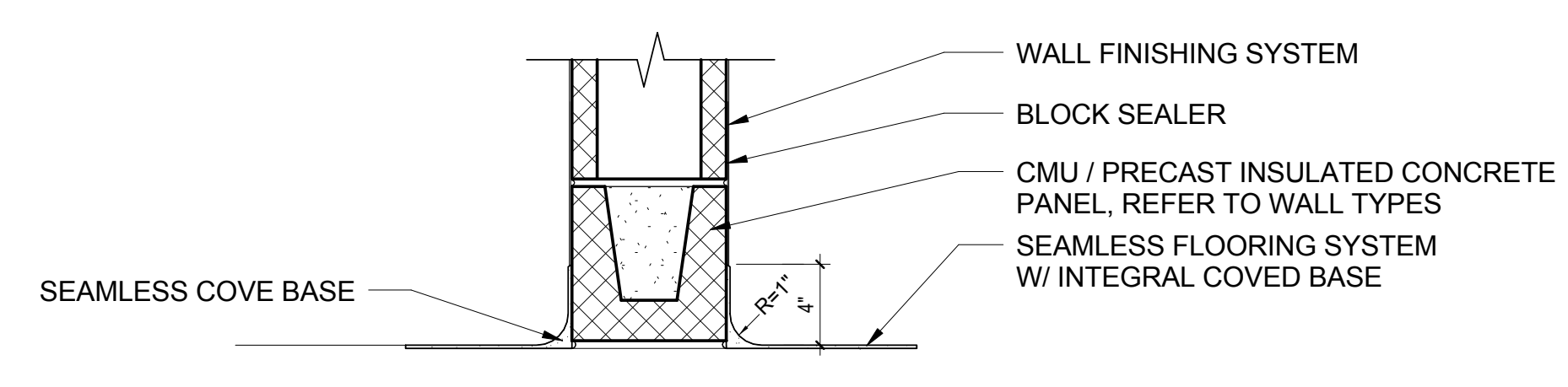
ROOM NUMBER	ROOM NAME	Area	FLOOR		BASE		NORTH WALL		EAST WALL		SOUTH WALL		WEST WALL		CEILING		COMMENTS	
			MATERIAL	FINISH	MATERIAL	FINISH	MATERIAL	FINISH	MATERIAL	FINISH	MATERIAL	FINISH	MATERIAL	FINISH	CEILING FINISH	CEILING HEIGHT		
101	SHIPPING / RECEIVING	680.72 SF	CONC	EPX	GWB	EPX PNT	CMU / IMP	FAFI	CMU / IMP	FAFI	GWB	EPX PNT	CMU / IMP	FAFI	-	-	CNC-1	
102	AIRLOCK	85.97 SF	CONC	EPX	GWB	EPX PNT	GWB	EPX PNT	GWB	EPX PNT	GWB	EPX PNT	GWB	EPX PNT	EPX PNT	9'-0"	CNC-1	
103	SAMPLE ROOM	117.31 SF	CONC	EPX	GWB	EPX PNT	GWB	EPX PNT	GWB	EPX PNT	GWB	EPX PNT	GWB	EPX PNT	EPX PNT	10'-0"	ISO 8.1.2.8.3	
104	LEFT	90.38 SF	CONC	EPX	GWB	EPX PNT	CMU	CMU	CMU	CMU	CMU	CMU	CMU	CMU	-	-	NC	
105	ENTRY	77.18 SF	CONC	VCIT	GWB	RB	GWB	EPX PNT	GWB	EPX PNT	GWB	EPX PNT	GWB	EPX PNT	EPX PNT	18'-4"	NC	
106	STAIR	183.38 SF	CONC	VCIT	GWB	RB	CMU	EPX PNT	CMU	EPX PNT	CMU	EPX PNT	CMU	EPX PNT	-	-	NC	
107	BREAK ROOM	189.71 SF	CONC	VCIT	GWB	RB	CMU	EPX PNT	CMU	EPX PNT	GWB	EPX PNT	GWB	EPX PNT	EPX PNT	9'-0"	NC	
108	MEHS	251.02 SF	CONC	EPX	GWB	EPX PNT	GWB	EPX PNT	GWB	EPX PNT	GWB	EPX PNT	GWB	EPX PNT	EPX PNT	8'-0"	NC-1	
109	WOMEN'S	240.75 SF	CONC	EPX	GWB	EPX PNT	GWB	EPX PNT	GWB	EPX PNT	GWB	EPX PNT	GWB	EPX PNT	EPX PNT	8'-0"	NC-1	
110	OPEN	1248.03 SF	CONC	EPX	GWB	EPX PNT	GWB	EPX PNT	CMU	EPX PNT	GWB	EPX PNT	CMU	EPX PNT	EPX PNT	12'-0"	CNC-1	
111	IN-PROCESS ANALYTICS LAB	226.30 SF	CONC	EPX	GWB	EPX PNT	GWB	EPX PNT	GWB	EPX PNT	GWB	EPX PNT	GWB	EPX PNT	GWB	10'-0"	CNC-1	
112	MECHANICAL	891.11 SF	CONC	EPX	GWB	EPX PNT	CMU / IMP	FAFI	CMU / IMP	FAFI	CMU	EPX PNT	CMU	EPX PNT	-	-	NC	
113	RO ROOM	801.39 SF	CONC	EPX	GWB	EPX PNT	GWB	EPX PNT	GWB	EPX PNT	GWB	EPX PNT	GWB	EPX PNT	-	-	CNC-1	
114	QUARANTINE	99.45 SF	CONC	EPX	GWB	EPX PNT	GWB	EPX PNT	GWB	EPX PNT	GWB	EPX PNT	GWB	EPX PNT	EPX PNT	12'-0"	CNC-1	
115	CAUSTIC / ADD STORAGE	178.53 SF	CONC	EPX	GWB	EPX PNT	GWB	EPX PNT	GWB	EPX PNT	GWB	EPX PNT	GWB	EPX PNT	EPX PNT	12'-0"	CNC-1	
116	SOLVENT STORAGE	183.59 SF	CONC	EPX	GWB	EPX PNT	GWB	EPX PNT	GWB	EPX PNT	GWB	EPX PNT	GWB	EPX PNT	EPX PNT	12'-0"	NC-1	
117	TOUCH DOWN WORKSPACE	106.43 SF	CONC	EPX	GWB	EPX PNT	GWB	EPX PNT	GWB	EPX PNT	GWB	EPX PNT	GWB	EPX PNT	EPX PNT	8'-0"	NC-1	
118	WASHROOM / STORAGE	84.73 SF	CONC	EPX	GWB	EPX PNT	GWB	EPX PNT	GWB	EPX PNT	GWB	EPX PNT	GWB	EPX PNT	EPX PNT	9'-0"	NC-1	
119	WASHROOM	74.10 SF	CONC	EPX	GWB	EPX PNT	GWB	EPX PNT	GWB	EPX PNT	GWB	EPX PNT	GWB	EPX PNT	EPX PNT	8'-0"	ISO 8.1.2.8.3	
120	AIRLOCK	150.68 SF	CONC	EPX	GWB	EPX PNT	GWB	EPX PNT	GWB	EPX PNT	GWB	EPX PNT	GWB	EPX PNT	EPX PNT	9'-0"	ISO 8.1.2.8.3	
121	CORRIDOR	110.43 SF	CONC	EPX	GWB	EPX PNT	GWB	EPX PNT	GWB	EPX PNT	GWB	EPX PNT	GWB	EPX PNT	EPX PNT	10'-0"	CNC	
122	INCUBUM PREP	189.74 SF	CONC	EPX	GWB	EPX PNT	GWB	EPX PNT	GWB	EPX PNT	GWB	EPX PNT	GWB	EPX PNT	EPX PNT	10'-0"	ISO 8.1.2.8.3	
123	STAIR	198.38 SF	CONC	VCIT	GWB	RB	CMU	CMU	CMU	CMU	CMU	CMU	CMU	CMU	-	-	NC	
124	FERMENTATION	1068.58 SF	CONC	EPX	GWB	EPX PNT	GWB	EPX PNT	GWB	EPX PNT	GWB	EPX PNT	GWB	EPX PNT	EPX PNT	18'-0"	ISO 8.1.2.8.3	
125	RECOVERY	1912.61 SF	CONC	EPX	GWB	EPX PNT	GWB	EPX PNT	GWB	EPX PNT	GWB	EPX PNT	GWB	EPX PNT	EPX PNT	18'-0"	ISO 8.1.2.8.3	
126	AIRLOCK	93.91 SF	CONC	EPX	GWB	EPX PNT	GWB	EPX PNT	GWB	EPX PNT	GWB	EPX PNT	GWB	EPX PNT	EPX PNT	9'-0"	ISO 8.1.2.8.3	
127	XP PURIFICATION	567.19 SF	CONC	EPX	GWB	EPX PNT	GWB	EPX PNT	GWB	EPX PNT	GWB	EPX PNT	GWB	EPX PNT	EPX PNT	14'-0"	ISO 8.1.2.8.3	
128	WEIGH AND DISPENSING	264.76 SF	CONC	EPX	GWB	EPX PNT	GWB	EPX PNT	GWB	EPX PNT	GWB	EPX PNT	GWB	EPX PNT	EPX PNT	10'-0"	ISO 8.1.2.8.3	
129	AIRLOCK	72.33 SF	CONC	EPX	GWB	EPX PNT	GWB	EPX PNT	GWB	EPX PNT	GWB	EPX PNT	GWB	EPX PNT	EPX PNT	9'-0"	ISO 7.1.2.8.3	
130	FINAL FILLING	140.57 SF	CONC	EPX	GWB	EPX PNT	GWB	EPX PNT	GWB	EPX PNT	GWB	EPX PNT	GWB	EPX PNT	EPX PNT	10'-0"	ISO 7.1.2.8.3	
132	CORRIDOR	97.43 SF	CONC	EPX	GWB	EPX PNT	GWB	EPX PNT	GWB	EPX PNT	GWB	EPX PNT	GWB	EPX PNT	EPX PNT	9'-0"	NC-1	
133	ELECTRICAL	91.87 SF	CONC	EPX	GWB	EPX PNT	GWB	EPX PNT	GWB	EPX PNT	GWB	EPX PNT	GWB	EPX PNT	EPX PNT	-	NC-1	
134	SHOWER	47.37 SF	CONC	EPX	GWB	EPX PNT	GWB	EPX PNT	GWB	EPX PNT	GWB	EPX PNT	GWB	EPX PNT	EPX PNT	8'-0"	NC-1	
135	SHOWER	49.89 SF	CONC	EPX	GWB	EPX PNT	GWB	EPX PNT	GWB	EPX PNT	GWB	EPX PNT	GWB	EPX PNT	EPX PNT	8'-0"	NC-1	
136	WASTE	151.84 SF	CONC	EPX	GWB	EPX PNT	CMU / IMP	FAFI	CMU	EPX PNT	CMU	EPX PNT	CMU	EPX PNT	-	-	NC-1	
201	OPEN OFFICE	454.82 SF	CONC	CPT	GWB	RB	CMU	PNT	GWB / CMU	PNT	GWB	PNT	GWB	PNT	PNT	9'-0"	NC	
202	OFFICE	70.05 SF	CONC	CPT	GWB	RB	GWB	PNT	CMU	PNT	GWB	PNT	GWB	PNT	PNT	9'-0"	NC	
203	OFFICE	72.31 SF	CONC	CPT	GWB	RB	GWB	PNT	GWB	PNT	GWB	PNT	GWB	PNT	PNT	9'-0"	NC	
204	RELEASE LABELS	31.25 SF	CONC	EPX	GWB	-	CLF	-	CLF	-	GWB	EPX PNT	CLF	-	-	-	NC-1	
205	DOCUMENT STORAGE	50.00 SF	CONC	EPX	GWB	-	CLF	-	CLF	-	GWB	EPX PNT	CLF	-	-	-	NC-1	
206	INTERSTITIAL SPACE	880.39 SF	CONC	EPX	GWB	-	-	-	-	-	-	-	-	-	-	-	NC-1	
207	STORAGE	930.24 SF	CONC	EPX	GWB	-	IMP	FAFI	CMU	EPX PNT	CMU	EPX PNT	IMP	FAFI	-	-	NC-1	
208	QUARANTINE LABELS	31.25 SF	CONC	EPX	GWB	-	CLF	-	CLF	-	GWB	EPX PNT	CLF	-	-	-	NC-1	
209	MECHANICAL / ELECTRICAL	971.55 SF	CONC	EPX	GWB	EPX PNT	IMP	FAFI	IMP	FAFI	CMU	EPX PNT	CMU / GWB	EPX PNT	-	-	NC-1	
210	STORAGE	1829.82 SF	CONC	EPX	GWB	EPX PNT	CMU / GWB	EPX PNT	GWB / CMU	EPX PNT	GWB	EPX PNT	CMU	EPX PNT	-	-	NC-1	
212	FINAL WALK-IN	408.16 SF	CONC	EPX	CB	FAFI	CB	FAFI	CB	FAFI	CB	FAFI	CB	FAFI	CB	FAFI	10'-0"	NC-1
213	MAINTENANCE STORAGE	30.21 SF	CONC	EPX	GWB	EPX PNT	GWB	EPX PNT	GWB	EPX PNT	CB	EPX PNT	CMU	EPX PNT	-	-	NC-1	
214	VESTIBULE	87.19 SF	CONC	CPT	GWB	RB	GWB	EPX PNT	CMU	PNT	CMU	PNT	GWB	PNT	-	-	NC	
215	ELECTRICAL ROOM	77.06 SF	CONC	EPX	GWB	EPX PNT	IMP	FAFI	GWB	EPX PNT	GWB	EPX PNT	CMU	EPX PNT	-	-	NC-1	
216	IT CLOSET	53.99 SF	CONC	EPX	GWB	EPX PNT	GWB	EPX PNT	GWB	EPX PNT	GWB	EPX PNT	GWB	EPX PNT	-	-	NC-1	
301	STORAGE	97.80 SF	CONC	EPX	GWB	EPX PNT	IMP	FAFI	CMU	PNT	GWB / CMU	PNT	IMP	FAFI	-	-	NC-1	

**ABBREVIATIONS**

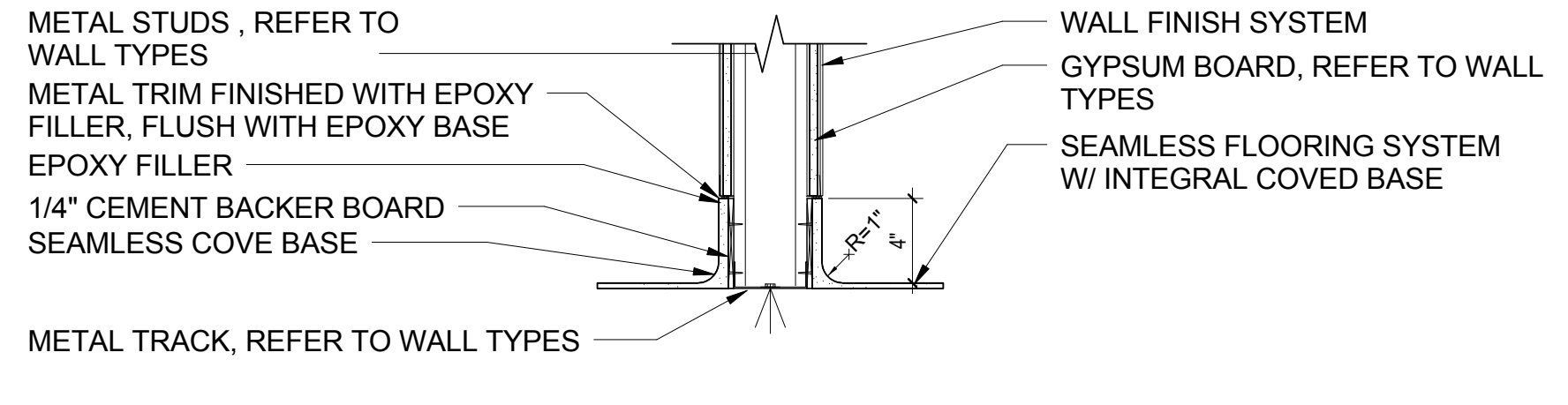
CNC: CONTROL NOT CLASSIFIED  
 NC: NOT CLASSIFIED  
 ISO 8 AND ISO 7: ISO 4684-1 CLEAN ROOM STANDARD

**COMMENTS**

- BASE TO BE INTEGRAL WITH FLOORING, SEE DETAILS 1 / A-603-C AND 2 / A-603-C FOR ADDITIONAL INFORMATION
- COVE WALL TO WALL CORNERS, SEE DETAIL 11 / A-602-C FOR ADDITIONAL INFORMATION
- COVE WALL TO CEILING, SEE DETAIL 12 / A-602-C FOR ADDITIONAL INFORMATION



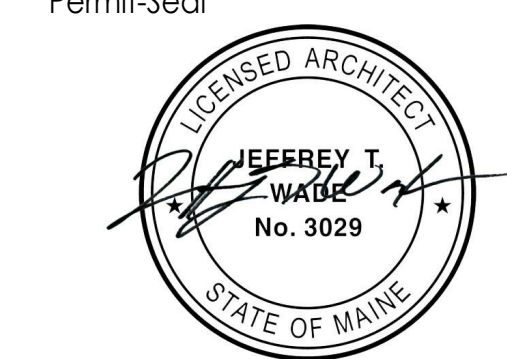
**1**  
 A-603-C 1 1/2" = 1'-0"



**2**  
 A-603-C 1 1/2" = 1'-0"

Revision	By	App'd	MM.DD.YYYY
0. INTERIOR FIT-OUT ISSUED FOR CONSTRUCTION	J.R.	K.J.M.	08/19/2016
Revision	By	App'd	MM.DD.YYYY
PACKAGE C - INTERIOR FIT-OUT			08.19.2016
PACKAGE B - SUPERSTRUCTURE & SHELL			08.05.2016
PACKAGE A - FOUNDATIONS & BELOW SLAB			07.22.2016
Issued	By	App'd	MM.DD.YYYY

Permit-Seal



Client/Project  
 IMMUCELL

Lot 11 - Second Tee Business Park  
 1039 Riverside Street  
 Portland, Maine 04103

Title  
 FINISH SCHEDULE

Project No.  
 191504176

Scale  
 As indicated

Revision  
 0

Drawing No.

**A-603-C**