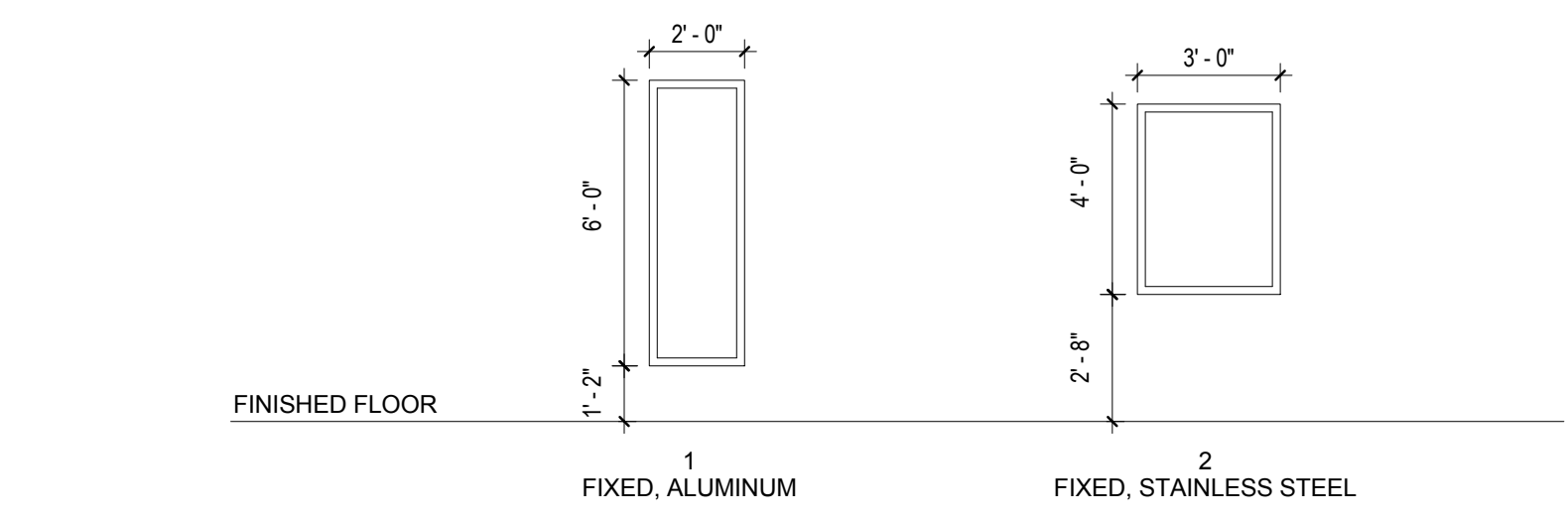
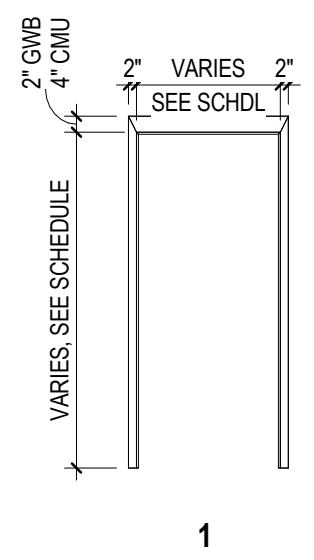


NO.	ROOM NAME	RM. NO.	DOOR SCHEDULE - PACKAGE C										FRAME			OPENING		COMMENTS		
			CLEAR DIM.		NO. OF PANELS	DOOR		THICKNESS	TYPE	MATL.	FINISH	DETAILS			FIRE LABEL	HARDWARE				
			WIDTH	HEIGHT		PANEL 1 WIDTH	PANEL 2 WIDTH					HEAD DETAIL	JAMB DETAIL	SILL DETAIL						
101-D	SHIPPING / RECEIVING	101	8'-0"	8'-0"	1	6'-0"	14"	FAB	FABRIC	FAFI	-	FABRIC	FAFI	-	-	-	-	4		
102-A	AIRLOCK	102	4'-0"	7'-0"	1	4'-0"	1 3/4"	HL	HM	EPX PNT	1	HM	EPX PNT	4 / A-602-C	5 / A-602-C	6 / A-602-C	-	3		
102-B	AIRLOCK	102	4'-0"	7'-0"	1	4'-0"	1 3/4"	HL	HM	EPX PNT	1	HM	EPX PNT	4 / A-602-C	5 / A-602-C	6 / A-602-C	-	3		
107-A	BREAK ROOM	107	3'-0"	7'-0"	1	3'-0"	1 3/4"	HL	HM	EPX PNT	1	HM	EPX PNT	4 / A-602-C	5 / A-602-C	6 / A-602-C	-	2		
108-A	MENS	108	3'-0"	7'-0"	1	3'-0"	1 3/4"	F	HM	EPX PNT	1	HM	EPX PNT	4 / A-602-C	5 / A-602-C	6 / A-602-C	-	2		
109-A	WOMENS	109	3'-0"	7'-0"	1	3'-0"	1 3/4"	F	HM	EPX PNT	1	HM	EPX PNT	4 / A-602-C	5 / A-602-C	6 / A-602-C	-	2		
110-A	OPEN	110	6'-0"	7'-0"	2	3'-0"	3'-0"	1 3/4"	HL	HM	EPX PNT	1	HM	EPX PNT	4 / A-602-C	5 / A-602-C	6 / A-602-C	-	9	
111-A	IN-PROCESS ANALYTICS LAB	111	3'-0"	7'-0"	1	3'-0"	1 3/4"	HL	HM	EPX PNT	1	HM	EPX PNT	4 / A-602-C	5 / A-602-C	6 / A-602-C	-	2		
111-C	RO ROOM	113	4'-0"	7'-0"	1	4'-0"	1 3/4"	HL	HM	EPX PNT	1	HM	EPX PNT	4 / A-602-C	5 / A-602-C	6 / A-602-C	-	13		
117-A	TOUCH DOWN WORKSPACE	117	3'-0"	7'-0"	1	3'-0"	1 3/4"	NL	HM	EPX PNT	1	HM	EPX PNT	4 / A-602-C	5 / A-602-C	6 / A-602-C	-	2		
118-A	WASHROOM / STORAGE	118	3'-0"	7'-0"	1	3'-0"	1 3/4"	NL	HM	EPX PNT	1	HM	EPX PNT	4 / A-602-C	5 / A-602-C	6 / A-602-C	-	2		
120-A	AIRLOCK	120	6'-0"	7'-0"	2	3'-0"	3'-0"	1 3/4"	HL	HM	EPX PNT	1	HM	EPX PNT	4 / A-602-C	5 / A-602-C	6 / A-602-C	-	7	
122-A	INOCULUM PREP	122	4'-0"	7'-0"	1	4'-0"	1 3/4"	HL	HM	EPX PNT	1	HM	EPX PNT	4 / A-602-C	5 / A-602-C	6 / A-602-C	-	8		
124-A	FERMENTATION	124	6'-0"	7'-0"	2	3'-0"	3'-0"	1 3/4"	HL	HM	EPX PNT	1	HM	EPX PNT	4 / A-602-C	5 / A-602-C	6 / A-602-C	-	7	
125-A	RECOVERY	125	3'-0"	7'-0"	1	3'-0"	1 3/4"	NL	HM	EPX PNT	1	HM	EPX PNT	4 / A-602-C	5 / A-602-C	6 / A-602-C	-	12		
125-B	RECOVERY	125	6'-0"	7'-0"	2	3'-0"	3'-0"	1 3/4"	HL	HM	EPX PNT	1	HM	EPX PNT	4 / A-602-C	5 / A-602-C	6 / A-602-C	-	10	
126-A	AIRLOCK	126	6'-0"	7'-0"	2	3'-0"	3'-0"	1 3/4"	HL	HM	EPX PNT	1	HM	EPX PNT	4 / A-602-C	5 / A-602-C	6 / A-602-C	-	45 MIN	FIRE RATED GLAZING
127-A	XP PURIFICATION	127	4'-0"	7'-0"	1	4'-0"	1 3/4"	HL	HM	EPX PNT	1	HM	EPX PNT	4 / A-602-C	5 / A-602-C	6 / A-602-C	-	8		
128-A	WEIGH AND DISPENSING	128	6'-0"	7'-0"	2	3'-0"	3'-0"	1 3/4"	HL	HM	EPX PNT	1	HM	EPX PNT	4 / A-602-C	5 / A-602-C	6 / A-602-C	-	7	
129-A	AIRLOCK	129	4'-0"	7'-0"	1	4'-0"	1 3/4"	HL	HM	EPX PNT	1	HM	EPX PNT	4 / A-602-C	5 / A-602-C	6 / A-602-C	-	8		
132-A	CORRIDOR	132	3'-0"	7'-0"	1	3'-0"	1 3/4"	HL	HM	EPX PNT	1	HM	EPX PNT	4 / A-602-C	5 / A-602-C	6 / A-602-C	-	5		
134-A	SHOWER	134	3'-0"	7'-0"	1	3'-0"	1 3/4"	F	HM	EPX PNT	1	HM	EPX PNT	4 / A-602-C	5 / A-602-C	6 / A-602-C	-	6		
135-A	SHOWER	135	3'-0"	7'-0"	1	3'-0"	1 3/4"	F	HM	EPX PNT	1	HM	EPX PNT	4 / A-602-C	5 / A-602-C	6 / A-602-C	-	6		
202-A	OFFICE	202	3'-0"	7'-0"	1	3'-0"	1 3/4"	FL	HM	EPX PNT	1	HM	EPX PNT	4 / A-602-C	5 / A-602-C	6 / A-602-C	-	2		
203-A	OFFICE	203	3'-0"	7'-0"	1	3'-0"	1 3/4"	FL	HM	EPX PNT	1	HM	EPX PNT	4 / A-602-C	5 / A-602-C	6 / A-602-C	-	2		
204-A	RELEASE STORAGE	204	3'-0"	7'-0"	1	3'-0"	0"	CLF	FAFI	-	CLF	FAFI	-	-	-	-	-	-		
205-A	DOCUMENT STORAGE	205	3'-0"	7'-0"	1	3'-0"	0"	CLF	FAFI	-	CLF	FAFI	-	-	-	-	-	-		
206-A	INTERSTITIAL SPACE	206	6'-0"	7'-0"	2	3'-0"	3'-0"	1 3/4"	NL	HM	EPX PNT	1	HM	EPX PNT	4 / A-602-C	5 / A-602-C	6 / A-602-C	-	-	
208-A	QUARANTINE LABELS	208	3'-0"	7'-0"	1	3'-0"	0"	CLF	FAFI	-	CLF	FAFI	-	-	-	-	-	-		
210-A	STORAGE	210	3'-0"	7'-0"	1	3'-0"	1 3/4"	FL	HM	EPX PNT	1	HM	EPX PNT	4 / A-602-C	5 / A-602-C	6 / A-602-C	-	2		
212-A	FINAL WALK-IN	212	6'-0"	7'-0"	1	6'-0"	1 3/4"	VL	HM	EPX PNT	1	HM	EPX PNT	4 / A-602-C	5 / A-602-C	6 / A-602-C	-	-		
213-A	MAINTENANCE STORAGE	213	3'-0"	7'-0"	1	3'-0"	1 3/4"	F	HM	EPX PNT	1	HM	EPX PNT	4 / A-602-C	5 / A-602-C	6 / A-602-C	-	14		
215-A	ELECTRICAL ROOM	215	3'-0"	7'-0"	1	3'-0"	1 3/4"	F	HM	EPX PNT	1	HM	EPX PNT	4 / A-602-C	5 / A-602-C	6 / A-602-C	-	15		
216-A	STORAGE	210	3'-0"	7'-0"	1	3'-0"	1 3/4"	NL	HM	EPX PNT	1	HM	EPX PNT	4 / A-602-C	5 / A-602-C	6 / A-602-C	-	14		

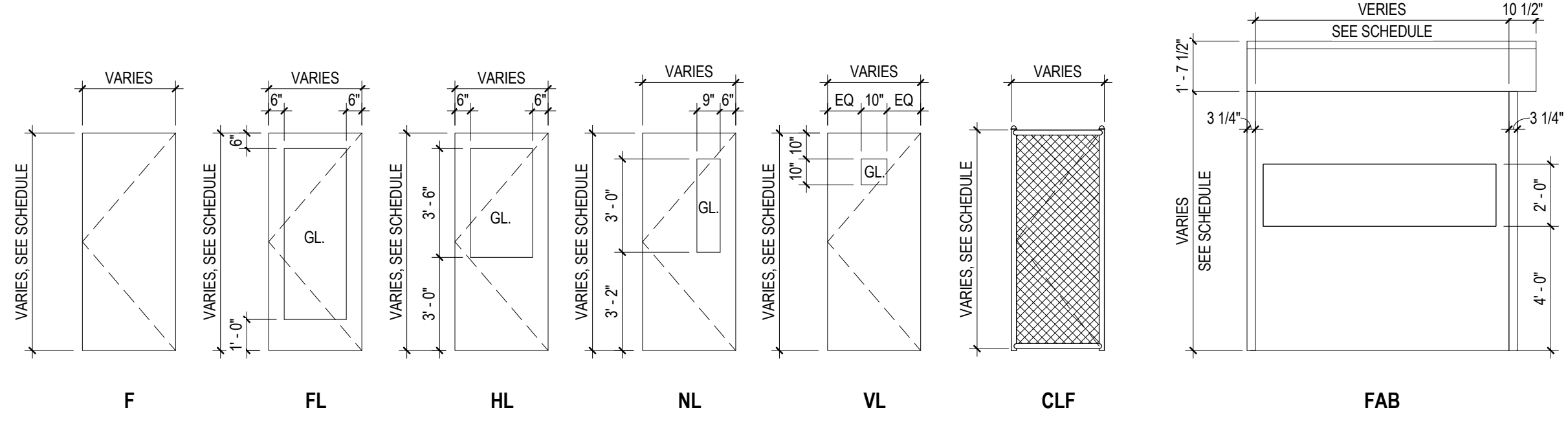
WINDOW SCHEDULE - PACKAGE C										
TYPE MARK	OPENING		TYPE	WINDOW MATERIAL	DETAILS			SILL HEIGHT	COMMENTS	
	WIDTH	HEIGHT			HEAD	JAMB	SILL			
7	2'-0"	6'-0"	1	ALUM	1 / A-602-C	2 / A-602-C	3 / A-602-C	1'-2"		
8	3'-0"	4'-0"	2	SS	9 / A-602-C	10 / A-602-C	11 / A-602-C	2'-6"		



1 WINDOW FRAME TYPES
1/4" = 1'-0"

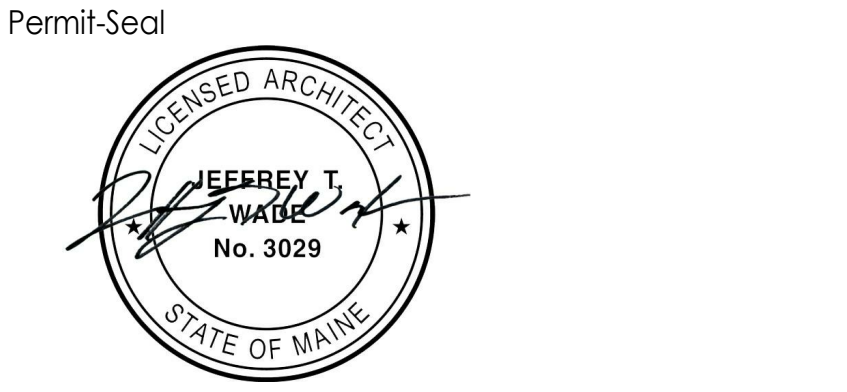


1 FRAME TYPES - PACKAGE C
1/4" = 1'-0"



DOOR PANEL TYPES - PACKAGE C
1/4" = 1'-0"

Revision	By	App'd	MM.DD.YYYY
0 - INTERIOR FIT-OUT ISSUED FOR CONSTRUCTION	J.R.	K.J.M.	08/19/2016
PACKAGE C - INTERIOR FIT-OUT			08.19.2016
PACKAGE B - SUPERSTRUCTURE & SHELL			08.05.2016
PACKAGE A - FOUNDATIONS & BELOW SLAB			07.22.2016
Issued	By	App'd	MM.DD.YYYY



Client/Project
IMMUCELL
Lot 11 - Second Tee Business Park
1039 Riverside Street
Portland, Maine 04103
Title
DOOR AND WINDOW SCHEDULE

Project No. 191504176
Revision 0
Scale 1/4" = 1'-0"
Drawing No.