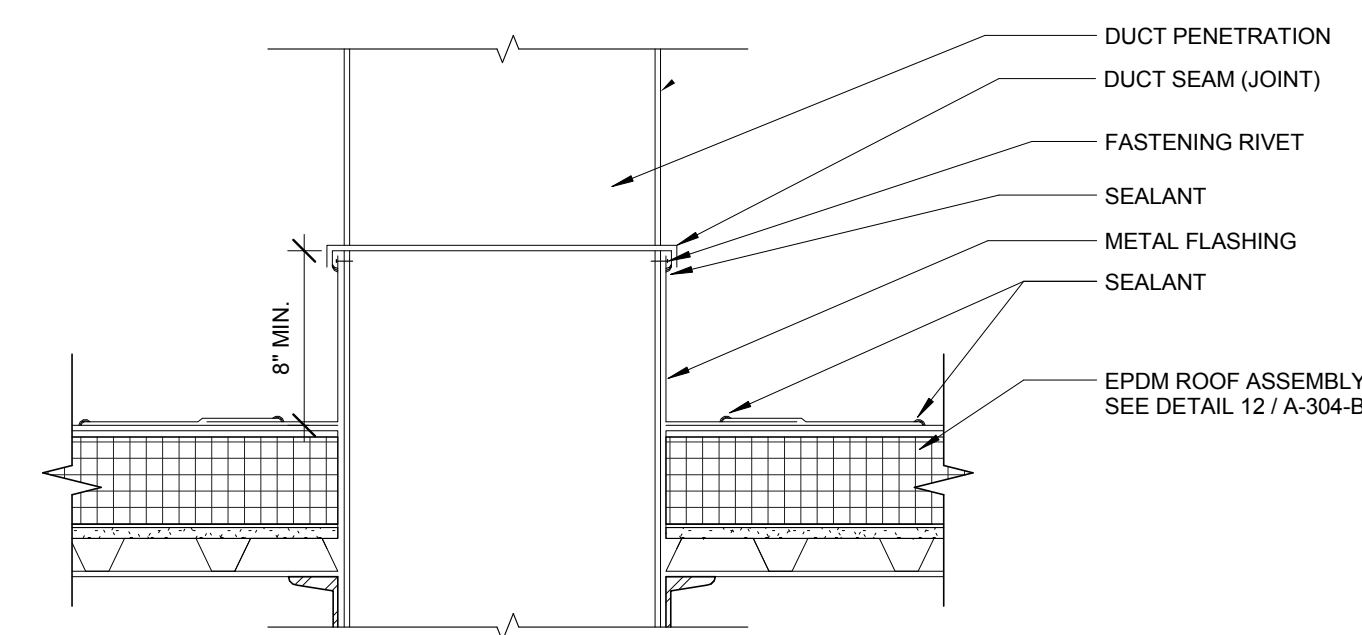
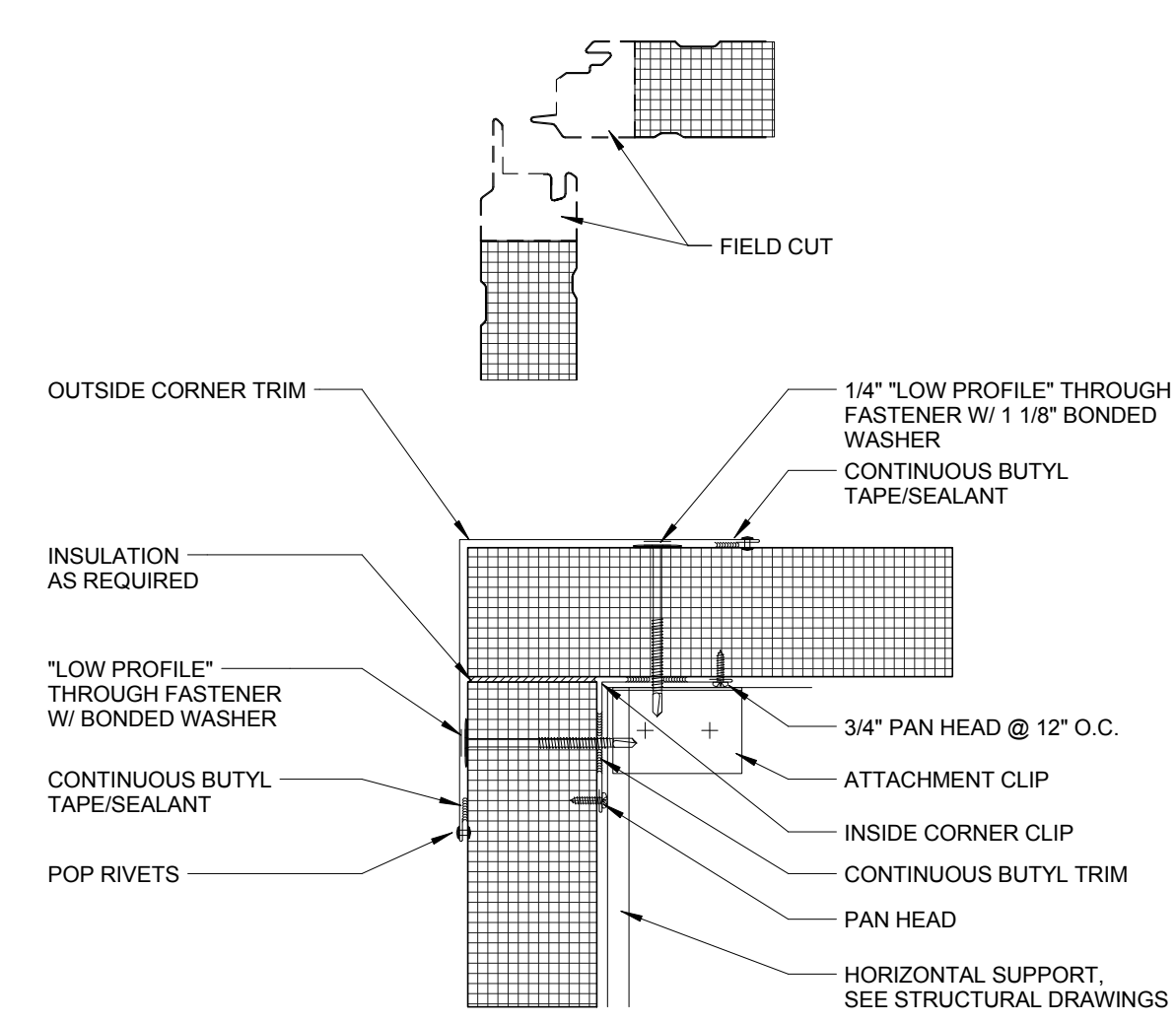


GENERAL NOTES

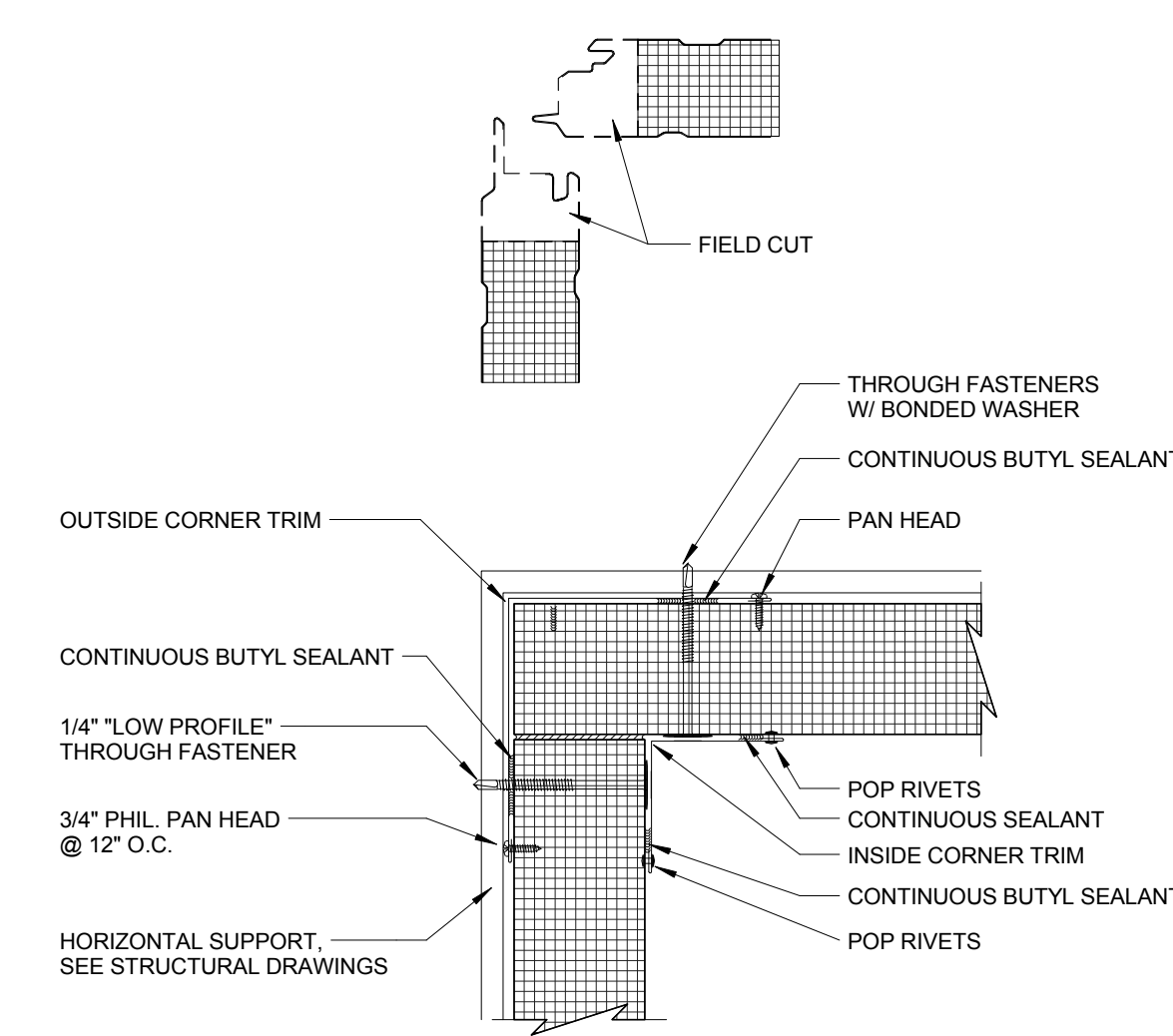
- REFER TO ABBREVIATIONS, SYMBOLS AND GENERAL NOTES ON DRAWING A-001-B FOR ADDITIONAL INFORMATION.



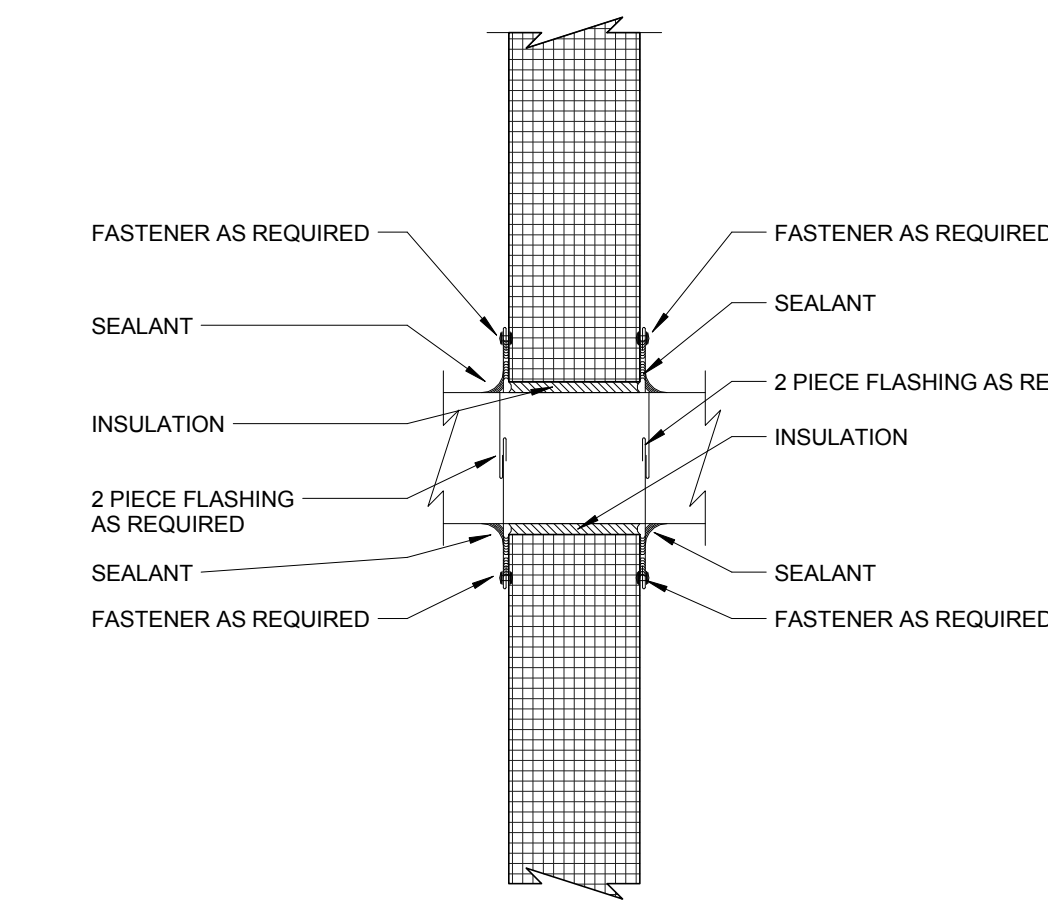
1 DUCT ROOF PENETRATION DETAIL, TYPICAL
A-305-B 1 1/2" = 1'-0"



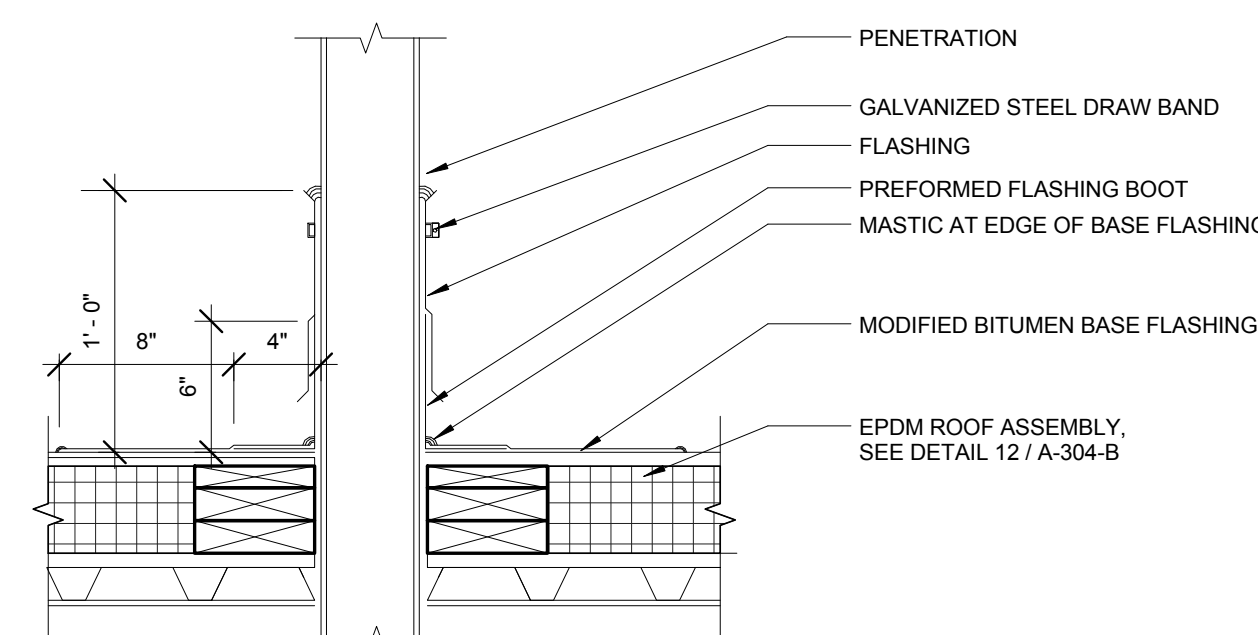
10 INSULATED METAL PANEL - OUTSIDE CORNER
A-305-B 3" = 1'-0"



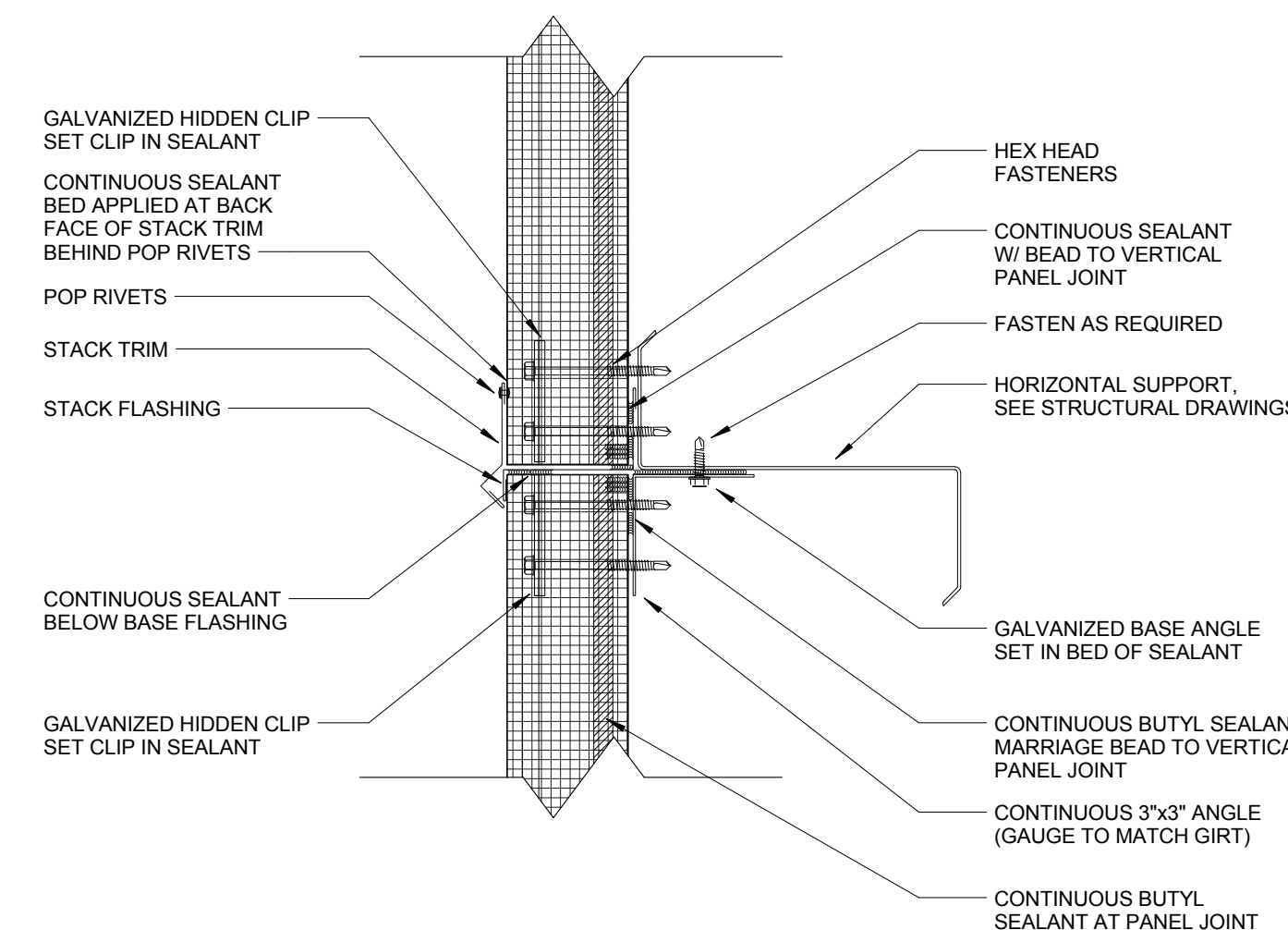
11 INSULATED METAL PANEL - INSIDE CORNER
A-305-B 3" = 1'-0"



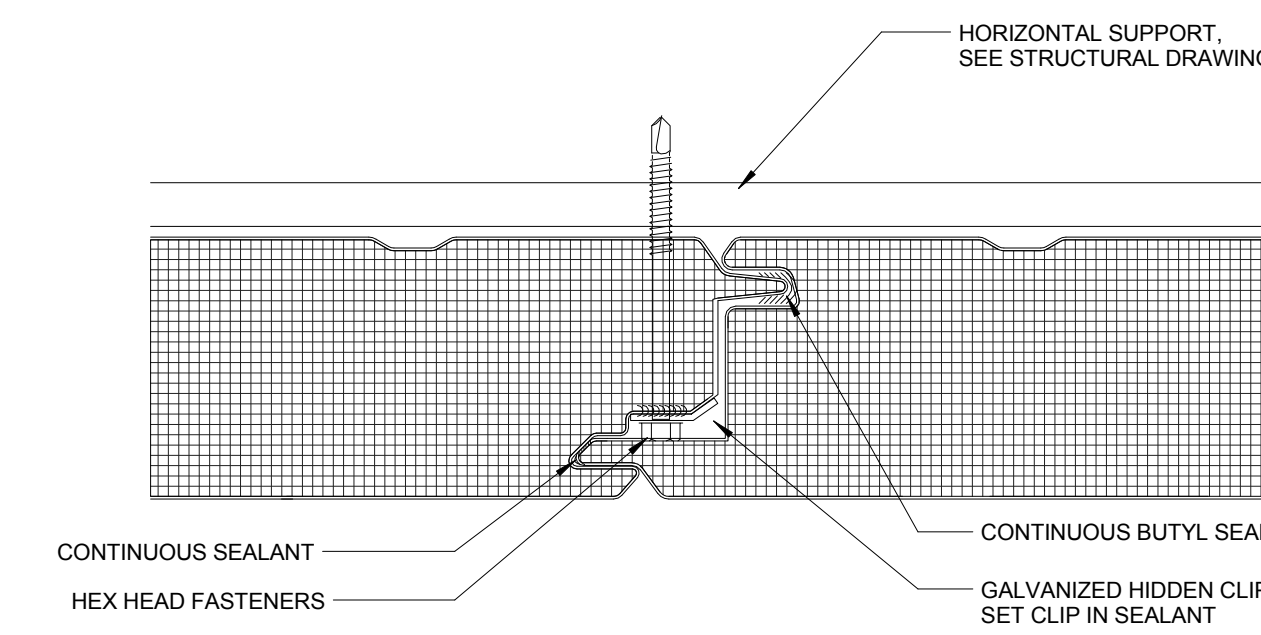
12 METAL INSULATED PANEL - PIPE PENETRATION
A-305-B 3" = 1'-0"



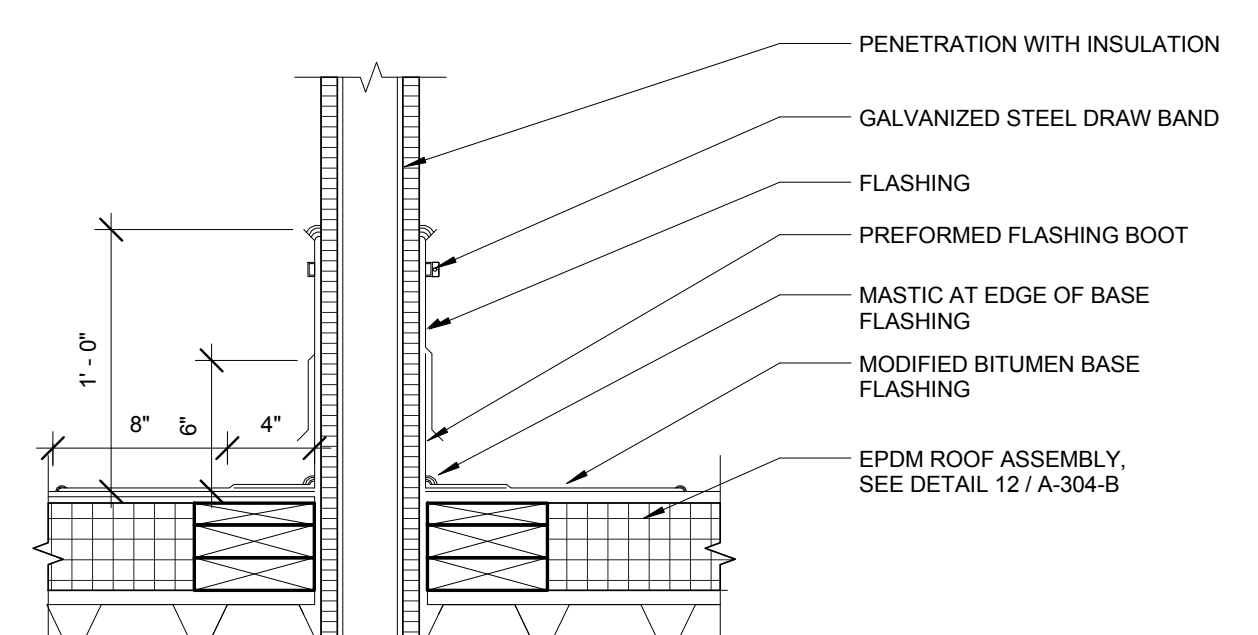
4 PIPE, TUBE STEEL OR CONDUIT ROOF PENETRATION DETAIL, TYPICAL
A-305-B 1 1/2" = 1'-0"



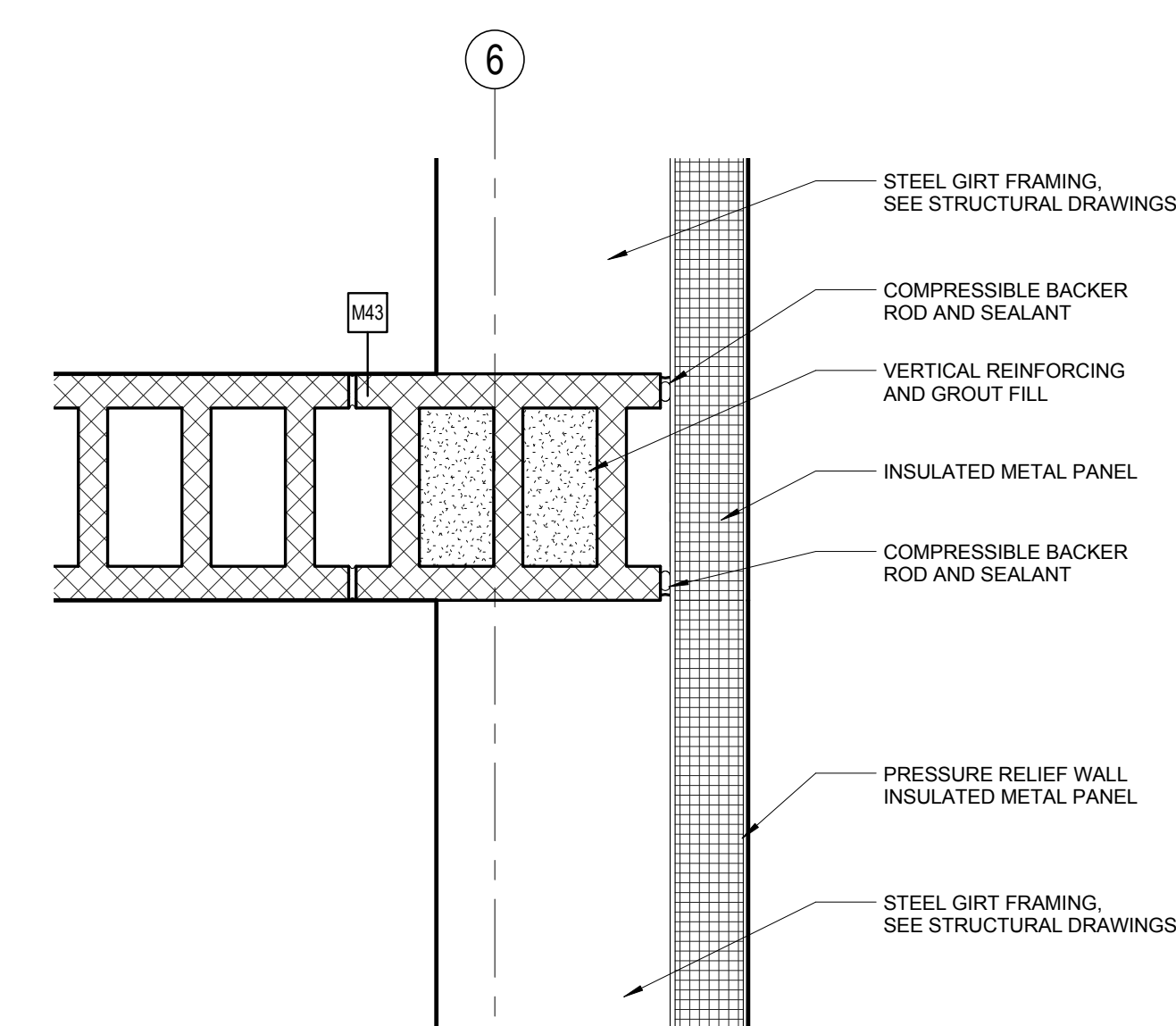
8 INSULATED METAL PANEL - STACK JOINT
A-305-B 3" = 1'-0"



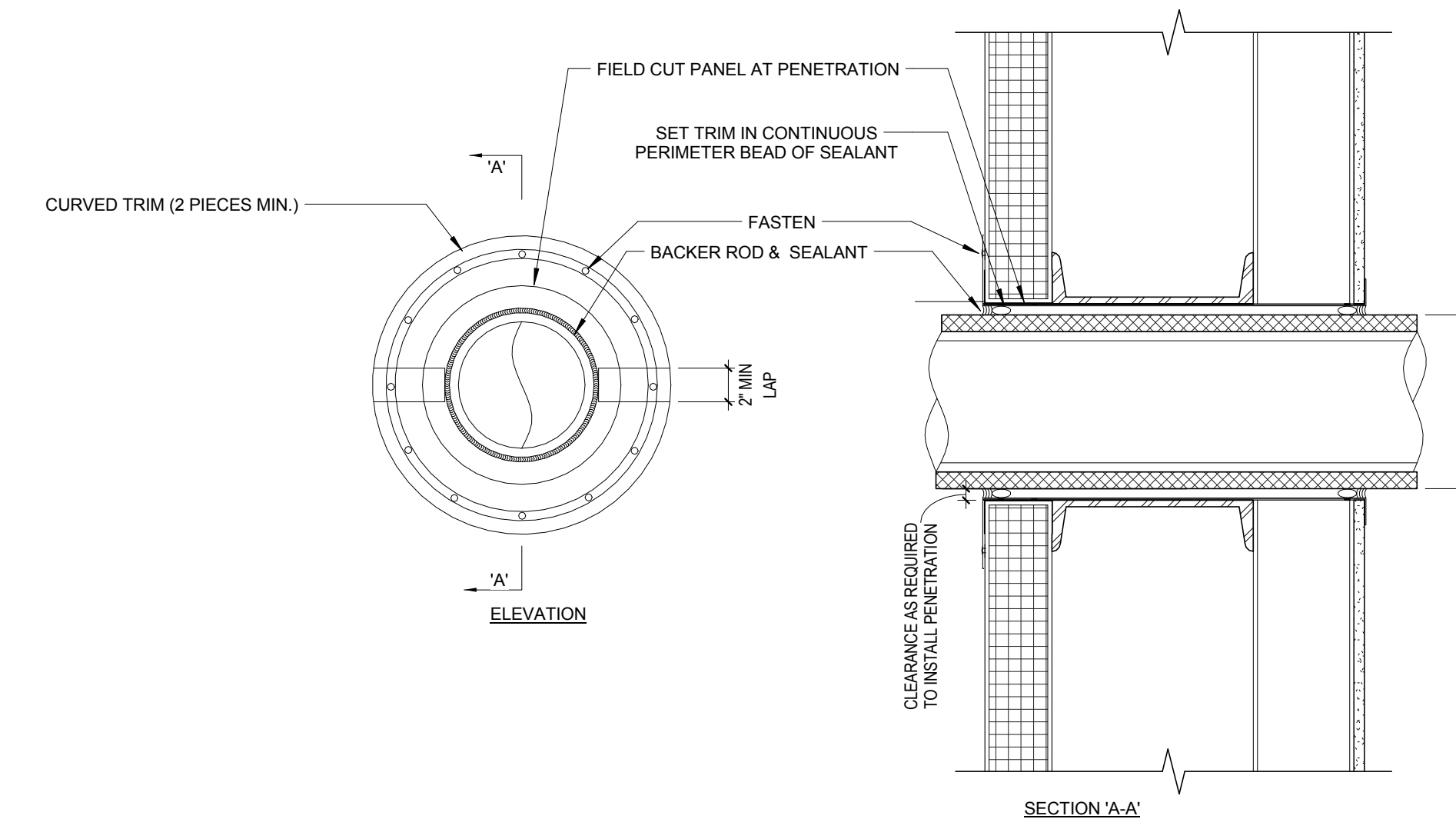
9 INSULATED METAL WALL - PANEL JOINT
A-305-B 6" = 1'-0"



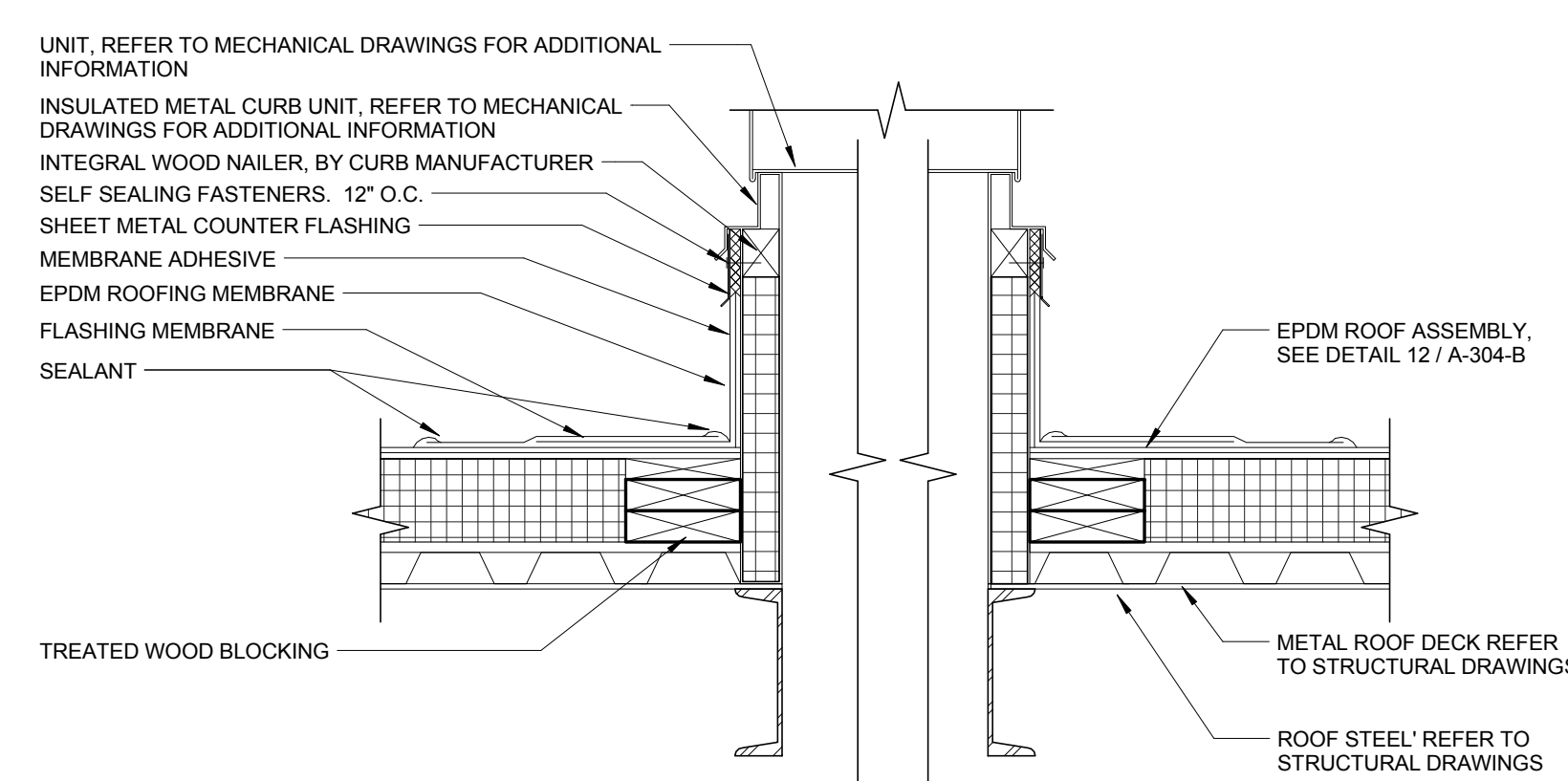
3 INSULATED PIPE PENETRATION DETAIL, TYPICAL
A-305-B 1 1/2" = 1'-0"



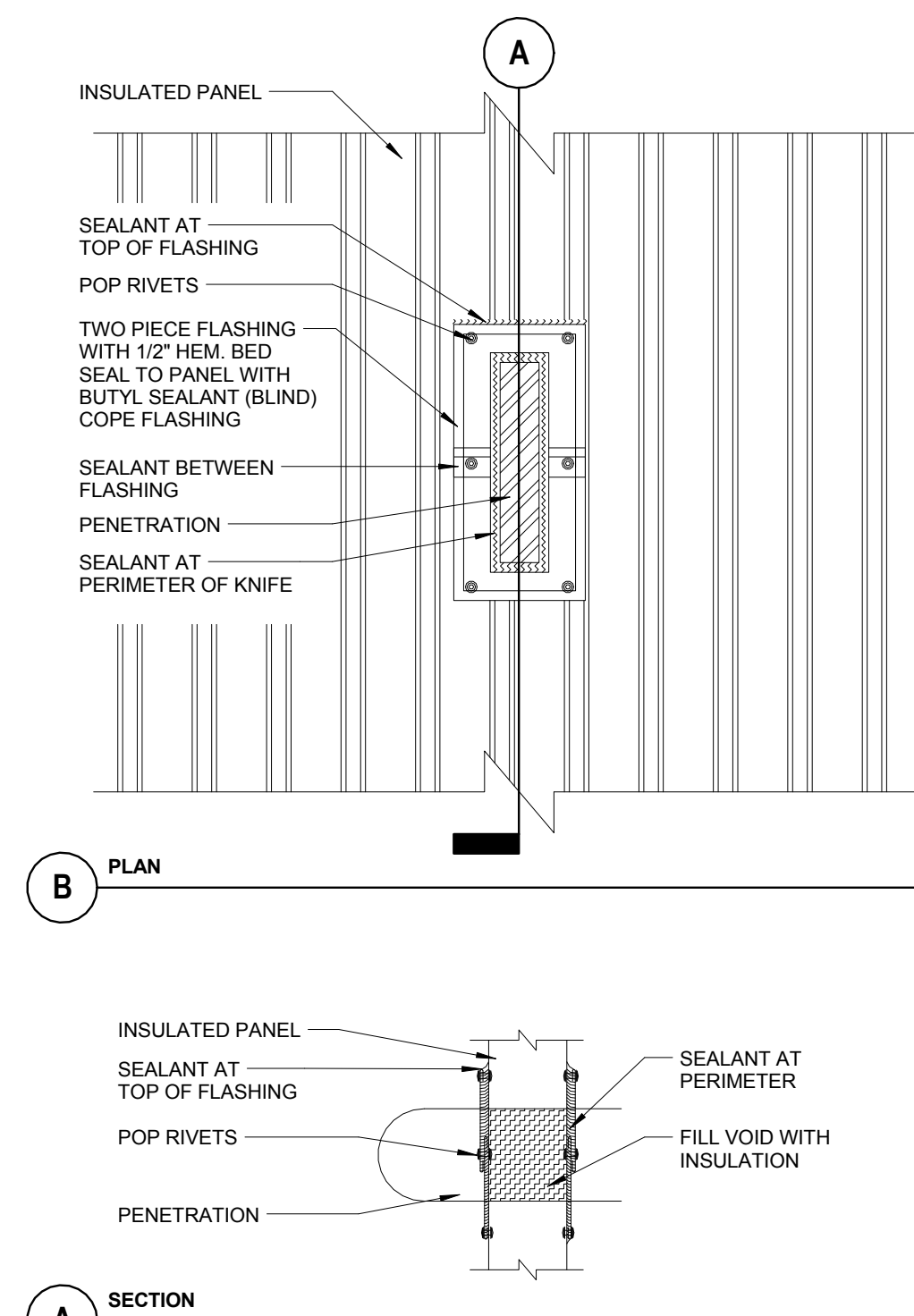
14 CMU TO EXTERIOR WALL DETAIL, TYPICAL
A-305-B 1 1/2" = 1'-0"



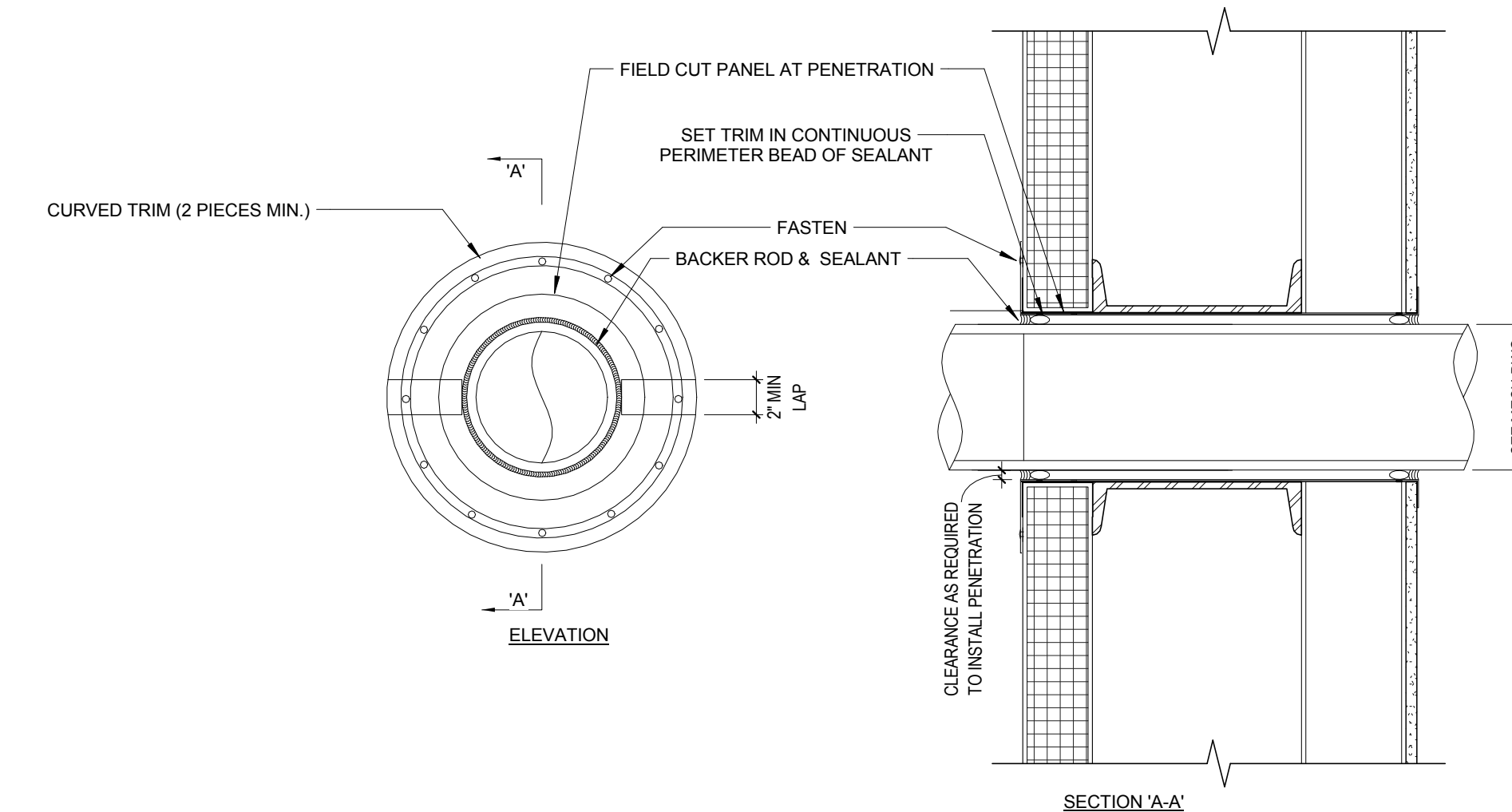
5 WALL INSULATED PENETRATION DETAIL, TYPICAL
A-305-B 1 1/2" = 1'-0"



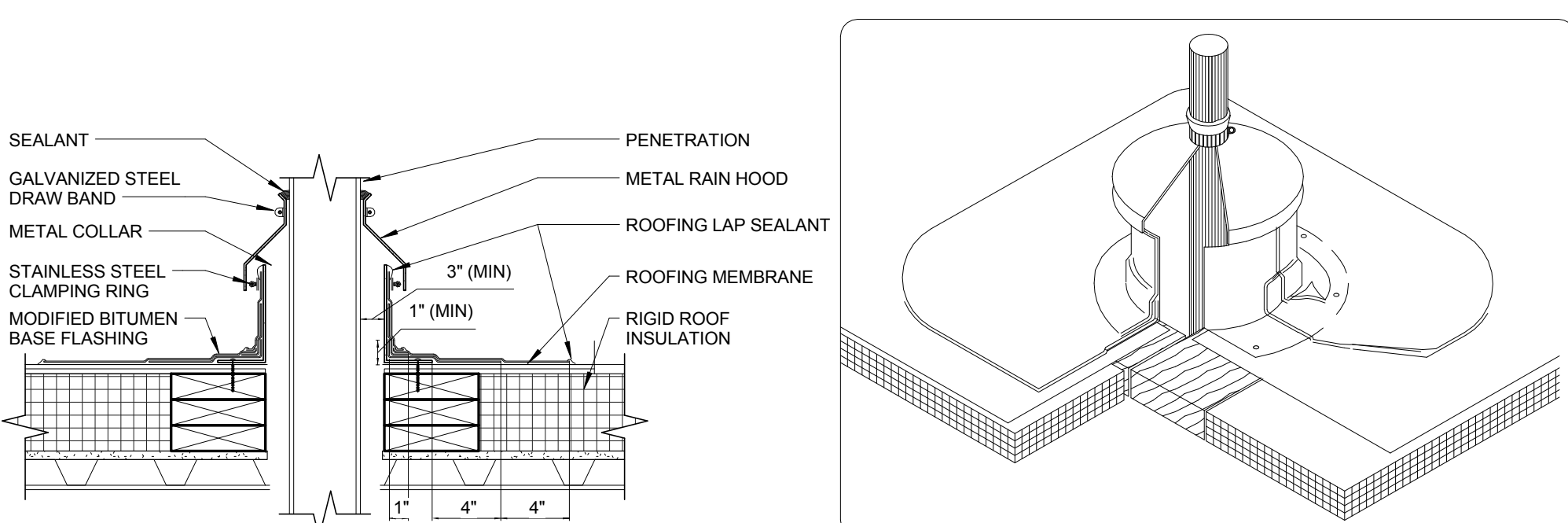
7 ROOF CURB DETAIL, TYPICAL
A-305-B 1 1/2" = 1'-0"



13 INSULATED METAL PANEL - PENETRATION DETAIL
A-305-B 3" = 1'-0"



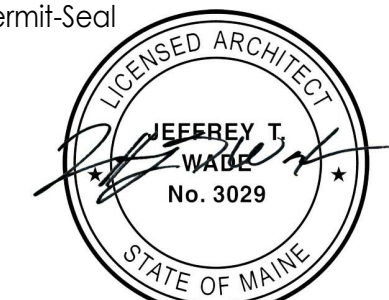
6 WALL PENETRATION DETAIL, TYPICAL
A-305-B 1 1/2" = 1'-0"



2 HOT STACK PENETRATION DETAIL, TYPICAL
A-305-B 1 1/2" = 1'-0"

NO.	DESCRIPTION	DATE	BY	APP'D
0	SUPERSTRUCTURE & SHELL - ISSUED FOR CONSTRUCTION	06/05/2016	JAM	APP
1	REVISION			
2	PACKAGE C - INTERIOR FIT-OUT	08/19/2016	JAM	APP
3	PACKAGE B - SUPERSTRUCTURE & SHELL	08/05/2016	JAM	APP
4	PACKAGE A - FOUNDATIONS & BELOW SLAB	07/22/2016	JAM	APP
5	ISSUED			

Permit-Seal



Client/Project
IMMUCELL

Lot 11 - Second Tee Business Park
1039 Riverside Street
Portland, Maine 04103

Title
SECTIONS AND DETAILS

Project No. 191504176
Scale As indicated
Revision Drawing No.

0

A-305-B