

DOOR SCHEDULE

TAG	DOOR SLAB	SIZE	THICKNESS	SWING	FIRE LABEL	FRAME	WALL THICKNESS	REMARKS	
1	EXISTING ALUM.	3010	1 3/4	RH		ALUM.	4 1/8	FULL GLASS	HRDWR SET #1
2	EXISTING HM	3010	1 3/4	LH		HM	4 1/8	24 X 30 INS. GLASS	HRDWR SET #1
3	EXISTING HM	3010	1 3/4	RH		HM	4 1/8	24 X 30 INS. GLASS	HRDWR SET #1
4	HM	3010	1 3/4	LH		HM	4 3/4	4 X 25 GLASS	HRDWR SET #5
5	4 PANEL WOOD	3010	1 3/4	RH		WD	4 3/4		HRDWR SET #4
6	4 PANEL WOOD	3010	1 3/4	RH		WD	4 3/4		HRDWR SET #4
7	HM	3010	1 3/4	LH		HM	1 1/4	4 X 25 GLASS	HRDWR SET #5
8	4 PANEL WOOD	3010	1 3/4	LH		WD	4 1/8		HRDWR SET #4
9	4 PANEL WOOD	3010	1 3/4	RH		WD	4 3/4		HRDWR SET #3
10	4 PANEL WOOD	3010	1 3/4	LH		WD	4 3/4		HRDWR SET #2
11	4 PANEL WOOD	3010	1 3/4	RH		WD	4 3/4		HRDWR SET #2
12	4 PANEL WOOD	3010	1 3/4	RH		WD	4 3/4		HRDWR SET #2
13	4 PANEL WOOD	3010	1 3/4	RH		WD	4 3/4		HRDWR SET #3
14	4 PANEL WOOD	3010	1 3/4	LH		WD	4 3/4		HRDWR SET #3

HARDWARE SCHEDULE

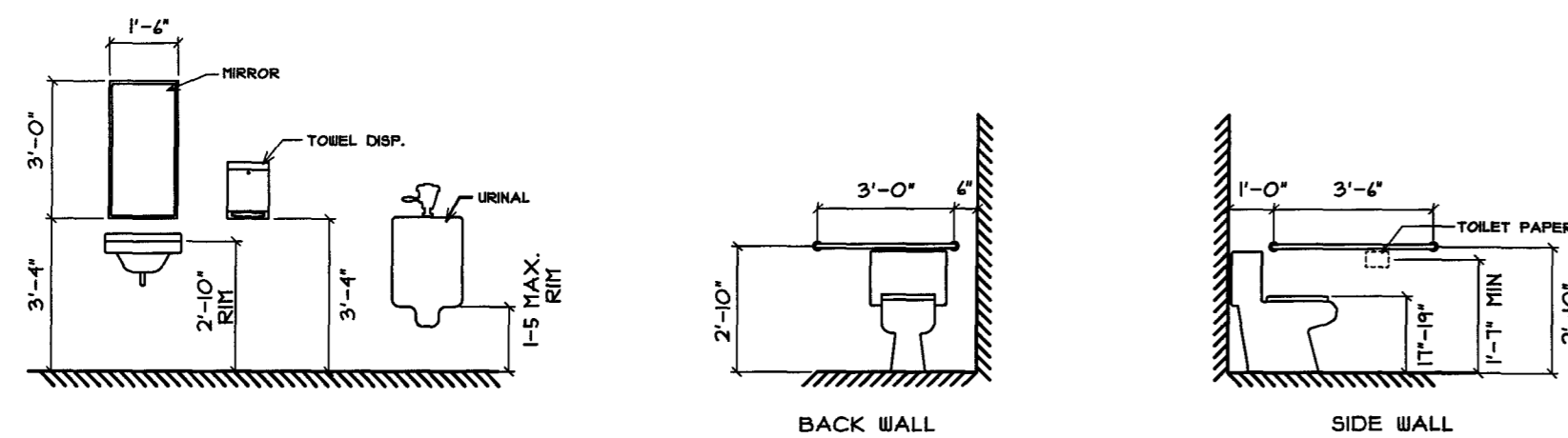
SET #1	HINGES, CLOSER, LOCKSET, WEATHERSTRIP, THRESHOLD
SET #2	HINGES, LEVER LOCKSET
SET #3	HINGES, LEVER PASSAGE SET
SET #4	HINGES, LEVER PRIVACY SET
SET #5	HINGES, CLOSER, LEVER LOCK SET

NOTE: ALL LOCKS TO BE MASTER KEYED

WINDOW SCHEDULE

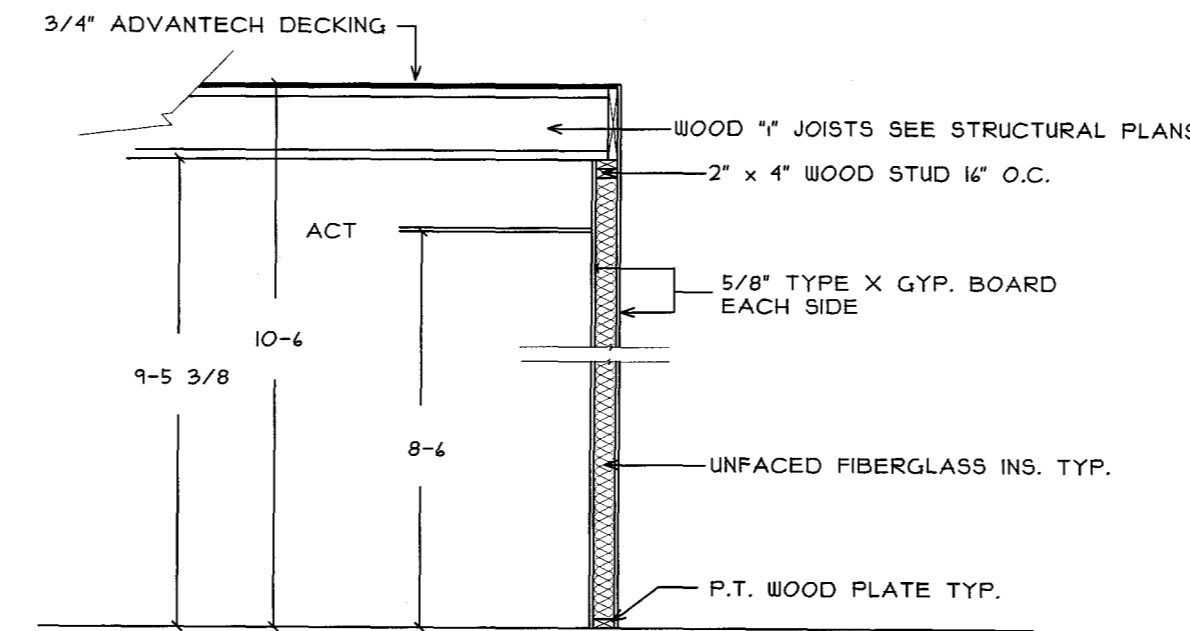
TAG	SIZE	TYPE	MANUFACTURER	GLAZING	U" VALUE	SHGC	REMARKS
A	48" X 48"	FIXED	HARVIN INTEGRITY	LOW "E" WITH ARGON	0.31	0.33	
B	48" X 48"	FIXED		1/4" SAFETY GLASS			HM FRAME

NOTE:
PROVIDE SOLID WOOD BLOCKING IN WALL
FOR MOUNTING OF ALL WALL MOUNTED ITEMS



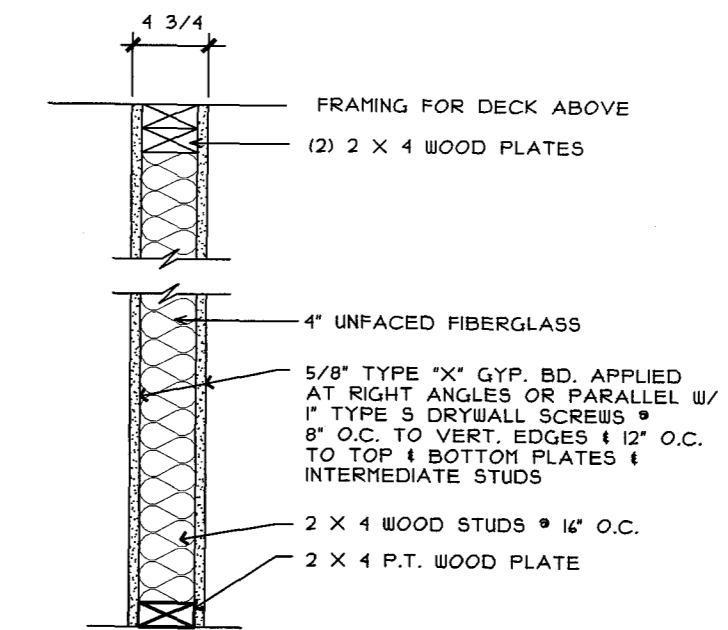
TOILET FIXTURE MOUNTING HEIGHTS

SCALE 1/4" = 1'-0"



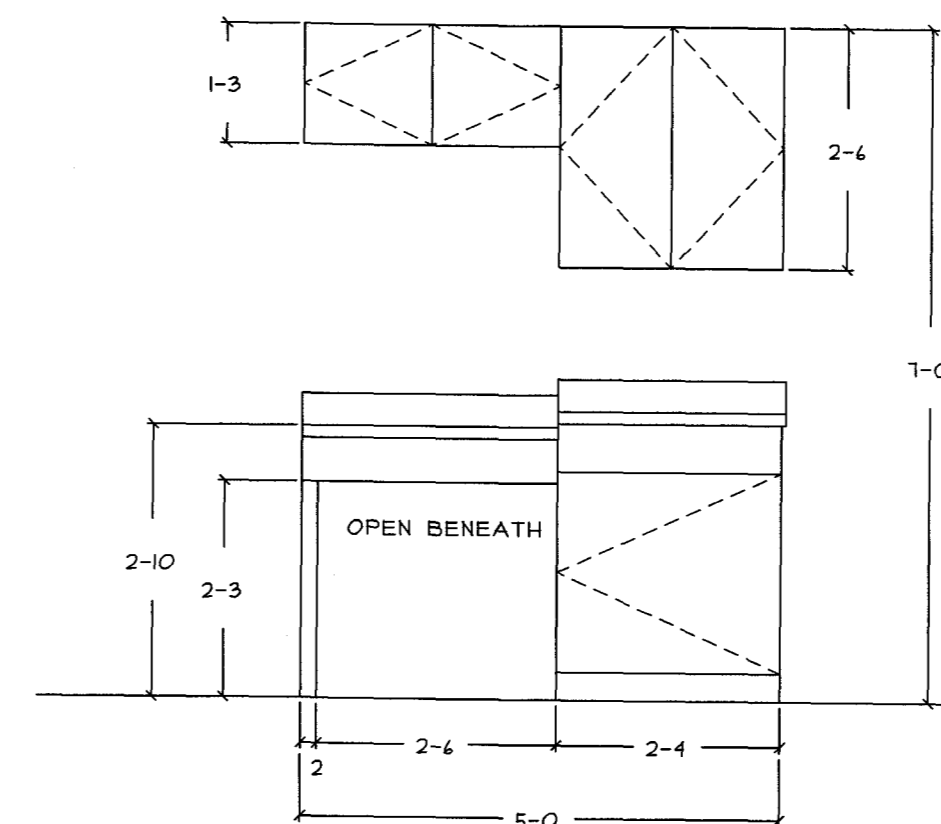
NON RATED WALL & DECK TYP.

SCALE: 3/8" = 1'-0"



TYPICAL WOOD FRAMED WALL U.N.O.

SCALE: 1/4" = 1'-0"



KITCHEN CABINETS BREAK AREA

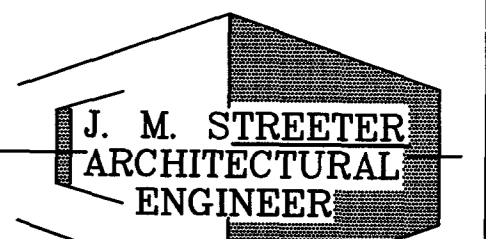
SCALE: 1/2" = 1'-0"



BISKUP CONSTRUCTION, INC.
16 DANIELLE DRIVE
WINDHAM, MAINE 04062
TEL. (207) 892-9800
FAX. (207) 892-9895

WWW.BISKUPCONSTRUCTION.COM

STAMP



44 GARSOE DRIVE
PORTLAND, MAINE 04103 (207) 797-3093

TENANT FIT-UP
PURESTAT EXTRUSIONS, LLC
75 WALCH DRIVE
PORTLAND, MAINE

REVISIONS

DATE	DESCRIPTION

DATE: 2/11/2017
SCALE: 1/8" = 1'-0"
DESIGNER: JB
CHECKED BY: JB

© COPYRIGHT
BISKUP CONSTRUCTION, INC.

SHEET TITLE

SCHEDULES
&
DETAILS

SHEET NUMBER

A-3

SHEET 3 OF 4