

SCHEDULE OF BASE BACKFILL FOR NON-SANITARY INSTALLATIONS

| TYPE OF PIPE | BEDDING MATERIAL | SPECIAL BACKFILL | SPECIAL BACKFILL COVER "A" (N) | SELECT BACKFILL |
|--------------|---------------------------------------|---------------------------------------|--------------------------------|---------------------------------------|
| CONCRETE | 3/4" CRUSHED STONE | GRANULAR AASHTO M145-49 A-3 OR BETTER | 12 | GRANULAR AASHTO M145-49 A-3 OR BETTER |
| PVC | 3/4" CRUSHED STONE | GRANULAR AASHTO M145-49 A-3 OR BETTER | 6 | GRANULAR AASHTO M145-49 A-3 OR BETTER |
| CMP | 3/4" CRUSHED STONE | GRANULAR AASHTO M145-49 A-3 OR BETTER | 6 | GRANULAR AASHTO M145-49 A-3 OR BETTER |
| DUCTILE IRON | GRANULAR AASHTO M145-49 A-3 OR BETTER | GRANULAR AASHTO M145-49 A-3 OR BETTER | 6 | GRANULAR AASHTO M145-49 A-3 OR BETTER |

SCHEDULE OF BASE BACKFILL FOR SANITARY INSTALLATIONS

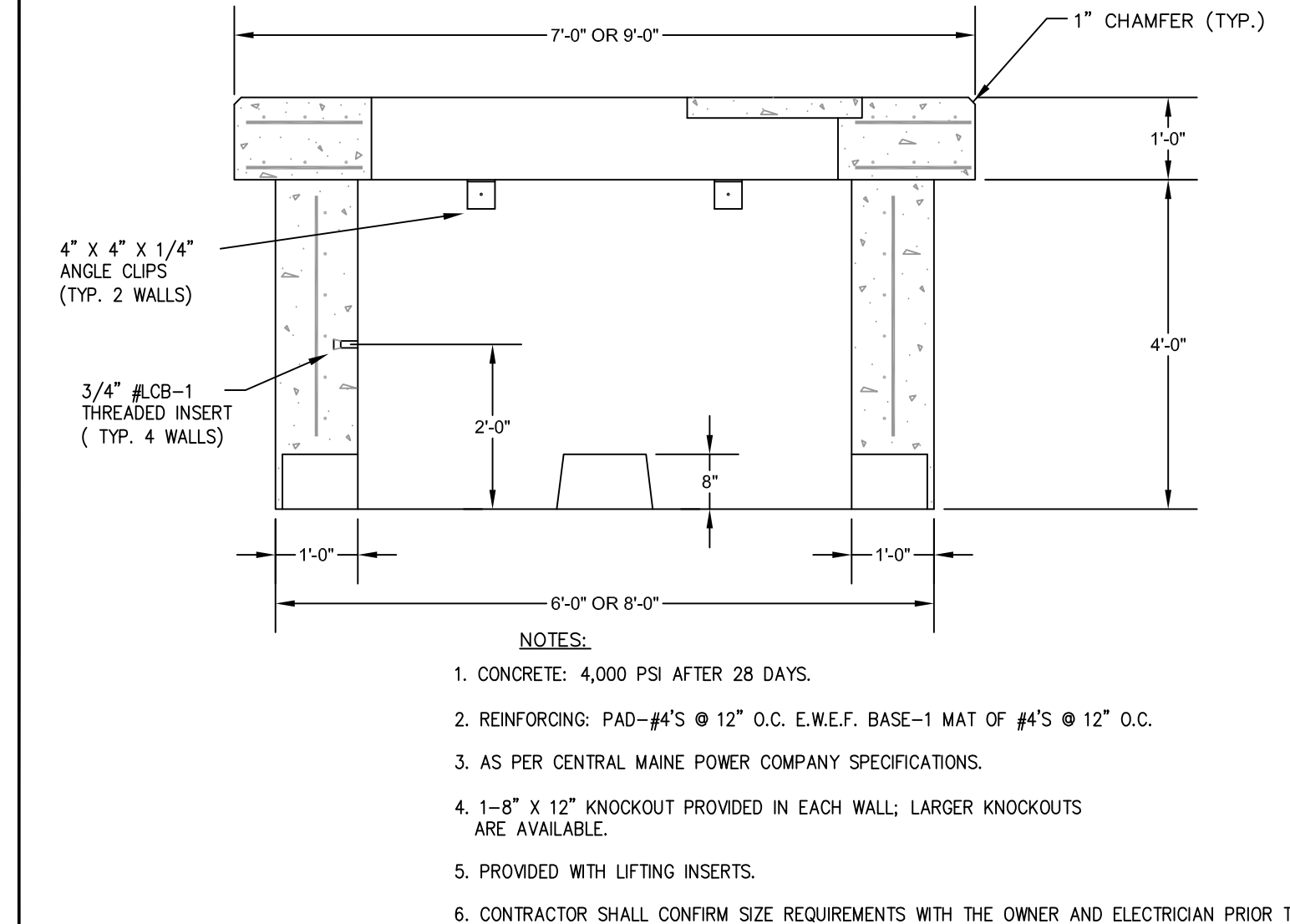
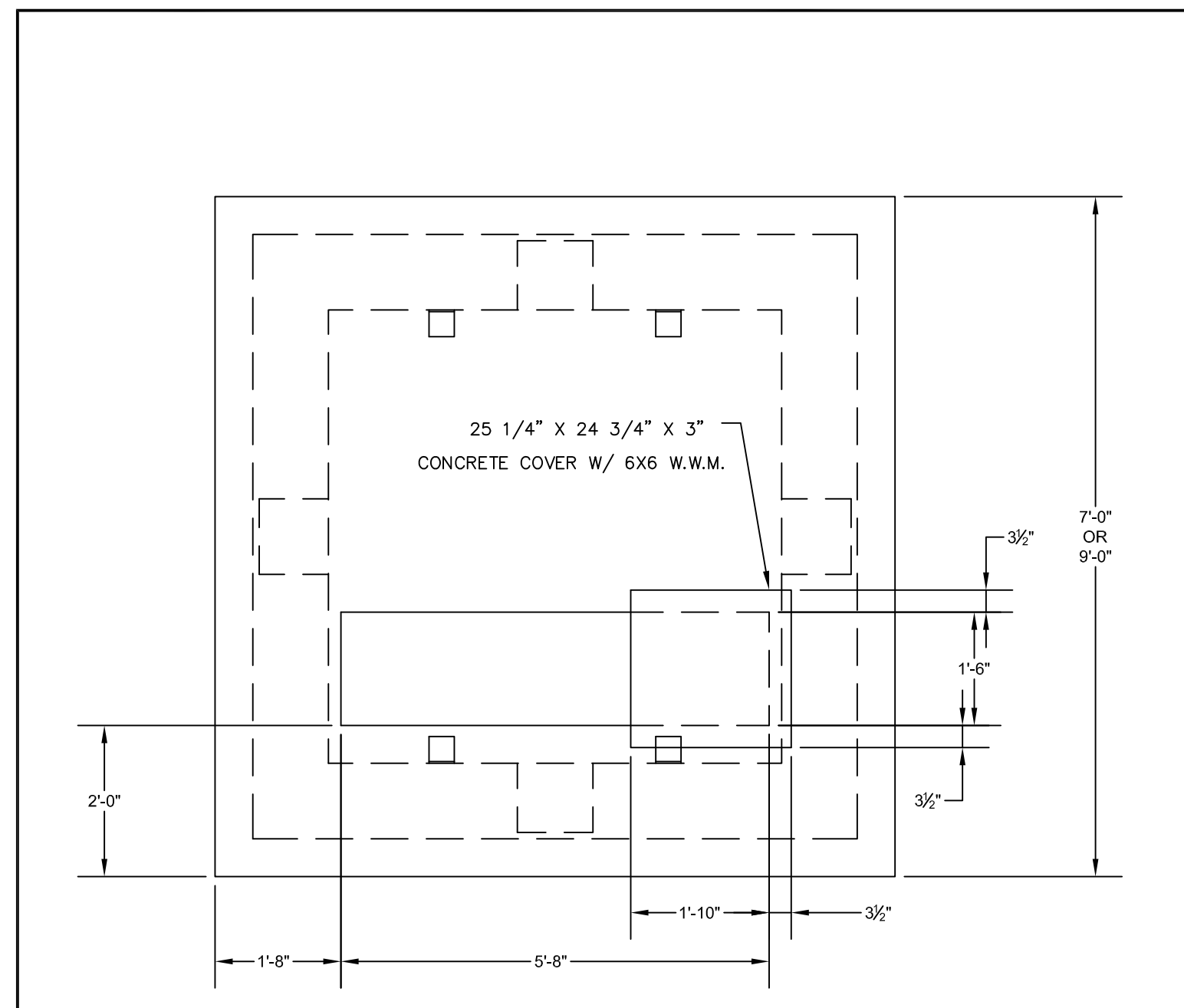
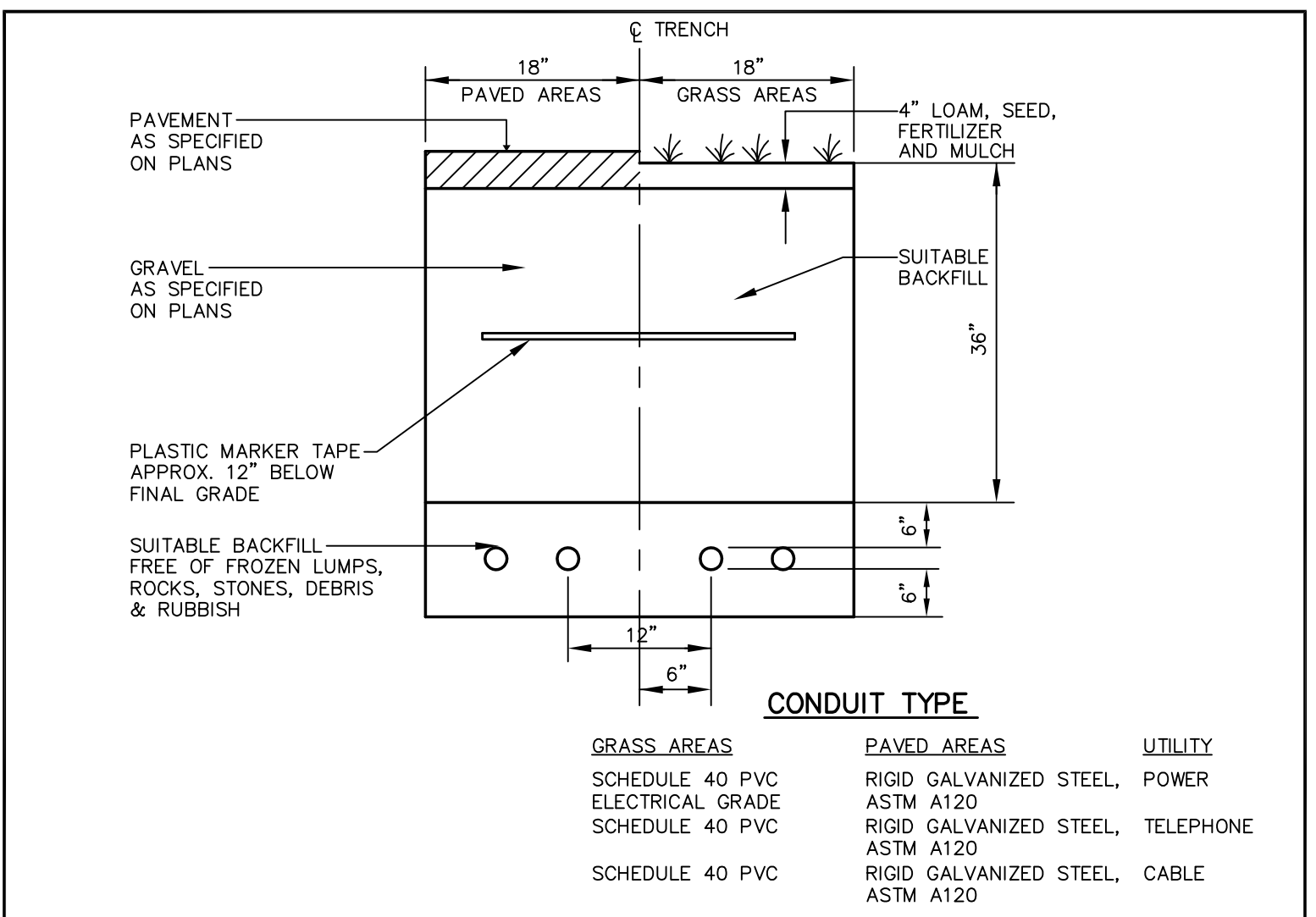
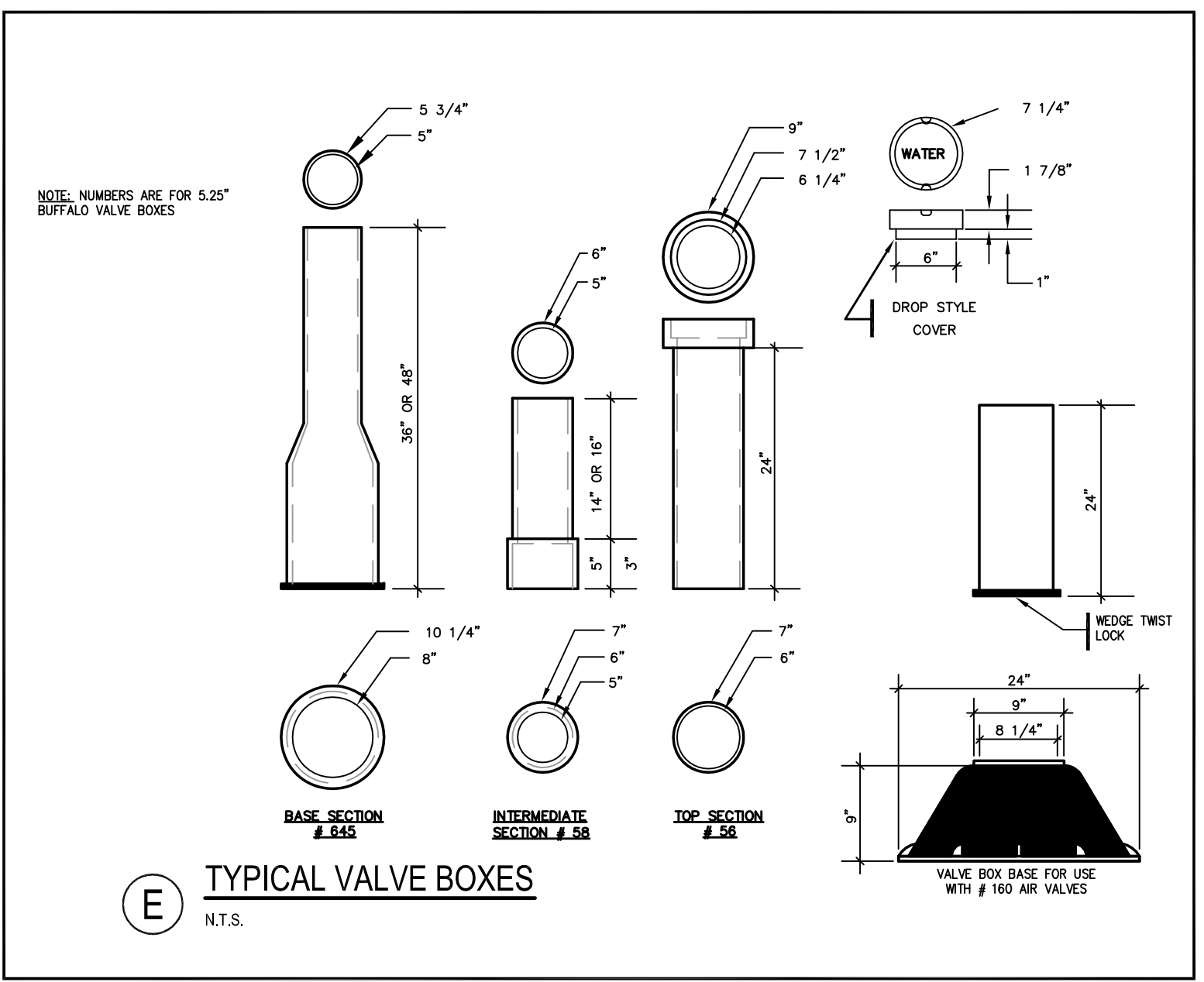
| TYPE OF PIPE | BEDDING MATERIAL | SPECIAL BACKFILL | SPECIAL BACKFILL COVER "A" (N) | SELECT BACKFILL |
|--------------|--------------------|---------------------------------------|--------------------------------|---------------------------------------|
| PVC PRESSURE | 3/4" CRUSHED STONE | 3/4" CRUSHED STONE | 6 | GRANULAR AASHTO M145-49 A-3 OR BETTER |
| PVC GRAVITY | 3/4" CRUSHED STONE | GRANULAR AASHTO M145-49 A-3 OR BETTER | 6 | GRANULAR AASHTO M145-49 A-3 OR BETTER |
| DUCTILE IRON | 3/4" CRUSHED STONE | 3/4" CRUSHED STONE | 6 | GRANULAR AASHTO M145-49 A-3 OR BETTER |

MAXIMUM ALLOWABLE TRENCH WIDTHS FOR SEWERS

| PIPE SIZE 10" OR LESS | MAXIMUM WIDTH |
|-----------------------|---------------|
| 12 TO 15 | 4'-0" |
| 18 | 4'-6" |
| 24 | 5'-6" |
| 30 | 6'-0" |
| 36 | 6'-9" |
| 42 | 7'-3" |
| 48 | 8'-0" |

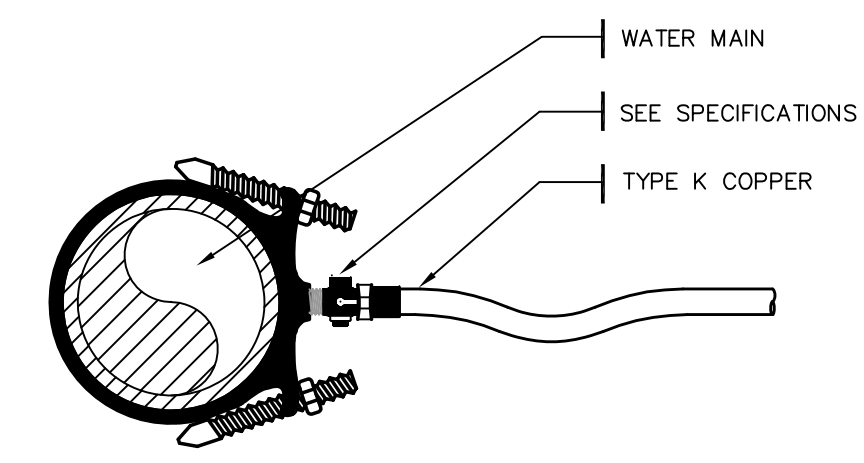
SHEETING, IF REQUIRED, SHALL BE CUT OFF 2'-0" BELOW FINISH GRADE.

(C) TYPICAL SEWER, WATER MAIN, & STORM DRAIN TRENCH SECTION
N.T.S.



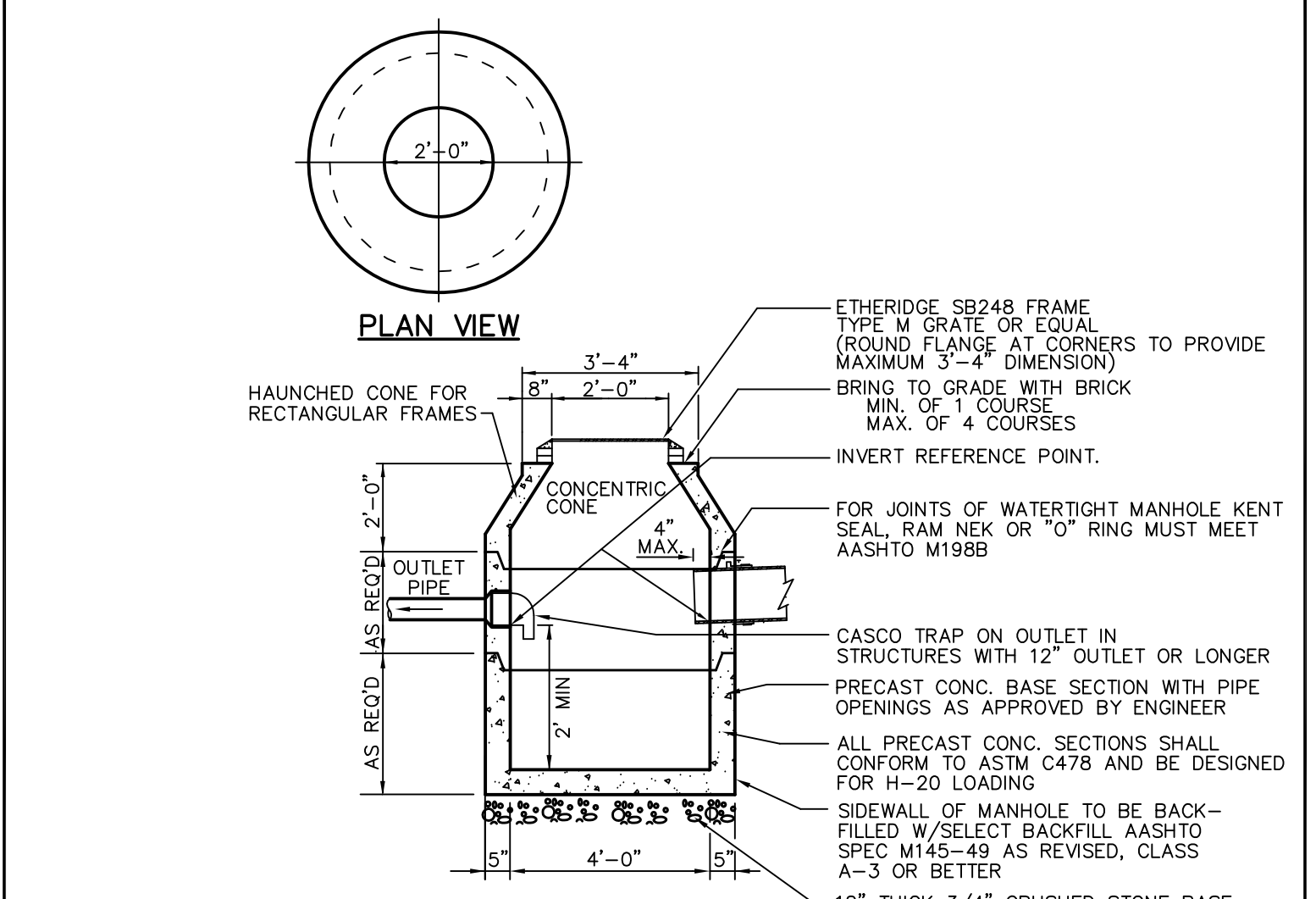
(B) TRANSFORMER PAD
N.T.S.

1. PROVIDE COMPACTED GRAVEL BASE AND BACKFILL WITH ADEQUATE DRAINAGE SYSTEM WITH POSITIVE PITCH.
2. PROVIDE CABLE OPENINGS AT BASE OF WELL AS NEEDED.
3. CONDUITS MUST HAVE END BELLS USED AT TERMINATION IN FOUNDATION.
4. LOCATION MUST BE ACCESSIBLE BY TRUCK AND PROTECTED FROM TRAFFIC DAMAGE AS REQUIRED BY CMP.
5. PROVIDE PULL ROPE FOR CMP-OWNED INSTALLATIONS.
6. PROVIDE 15' MINIMUM SLACK FOR EACH CABLE IN WELL.
7. TRANSFORMER MUST BE LOCATED AT LEAST 6' FROM ALL BUILDING WALLS AND 10' FROM ALL BUILDING OPENINGS.
8. CUSTOMER SHALL FURNISH AND INSTALL 3/4" X 8" GROUND ROD WITH A #4 STR. BARE CU. PIGTAIL.
9. 4" CONDUIT MIN. SIZE FOR 3-PHASE FACILITY.
10. PROVIDE CONDUIT AS REQUIRED BY CMP METER DEPT. FOR METERING.
11. NO METERING PEDESTAL MAY BE ATTACHED TO TRANSFORMER FOUNDATION.
12. FOUNDATION MAY BE SHORTENED TO MEET SOIL CONDITIONS.
13. SEALANT AROUND BASE OF COVER WILL NOT BE PERMITTED OR ACCEPTED.



NOTE: SERVICE CONNECTIONS (DIRECT TAPS AND SERVICE CLAMPS) WILL BE INSTALLED SO THAT THE OUTLET IS AT AN ANGLE OF NOT MORE THAN 45° ABOVE THE HORIZONTAL ALWAYS PUT A BEND OR "GOOSENECK" IN THE SERVICE LINE PRIOR TO CONNECTING TO PROVIDE FLEXIBILITY AND "GIVE" TO COUNTERACT THE EFFECTS OF A LOAD DUE TO SETTLEMENT OR EXPANSION AND/OR CONTRACTION.

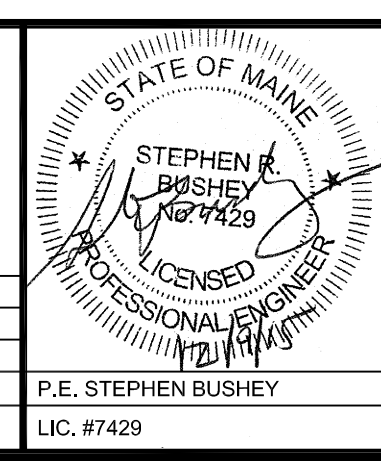
(D) WATER SERVICE
N.T.S.



| REV | DATE | DESCRIPTION |
|-----|----------|---|
| 3 | 12.08.15 | RELEASED FOR CONSTRUCTION - FINAL PLANS TO CITY |
| 2 | 07.17.15 | REVISED SUBMISSION TO CITY |
| 1 | 06.12.15 | AMENDED SITE PLAN SUBMISSION |

REVISIONS

P.E. STEPHEN BUSHEY
LIC. #7429



PROJECT
SECOND TEE CONDOMINIUM ASSOCIATION
BUSINESS PARK EXPANSION

SHEET TITLE
UTILITY DETAILS

CLIENT
1039 RIVERSIDE LLC

FST 100 YEARS
FAY, SPOFFORD & THORNDIKE
ENGINEERS · PLANNERS · SCIENTISTS
778 MAIN ST, SUITE 8, SOUTH PORTLAND, ME 04106

| | |
|----------------------------|-----------------|
| DRAWN: DED | DATE: MAY 2015 |
| DESIGNED: SRB | SCALE: AS NOTED |
| CHECKED: SRB | JOB NO. SP-M164 |
| FILE NAME: SP-M168 DETAILS | |

SHEET **C-9**