

DOOR SCHEDULE

TAG	DOOR SLAB	SIZE	THICKNESS	HINGE	FIRE LABEL	FRAME	WALL THICKNESS	REMARKS
1	ALUM.	PR. 3010	1 3/4			ALUM. 4 1/8		FULL GLASS
2	ALUM.	PR. 3010	1 3/4			ALUM. 4 1/8		FULL GLASS
3	HM	3010	1 3/4	LH		HM 4 1/8		24 X 30 INS. GLASS
4	HM	3010	1 3/4	LH		HM 4 1/8		24 X 30 INS. GLASS
5	HM	3010	1 3/4	LH		HM 4 1/8		24 X 30 INS. GLASS
6	HM	3010	1 3/4	LH		HM 4 1/8		24 X 30 INS. GLASS
7	SCB	3010	1 3/4	LH		HM 1 1/4		
8	SCB	3010	1 3/4	LH		HM 4 1/8		
9	SCB	3010	1 3/4	RH		HM 4 1/8		
10	SCB	3010	1 3/4	LH		HM 4 1/8		
11	SCB	3010	1 3/4	LH		HM 4 1/8		
12	SCB	3010	1 3/4	LH		HM 1 1/4		

HARDWARE SCHEDULE

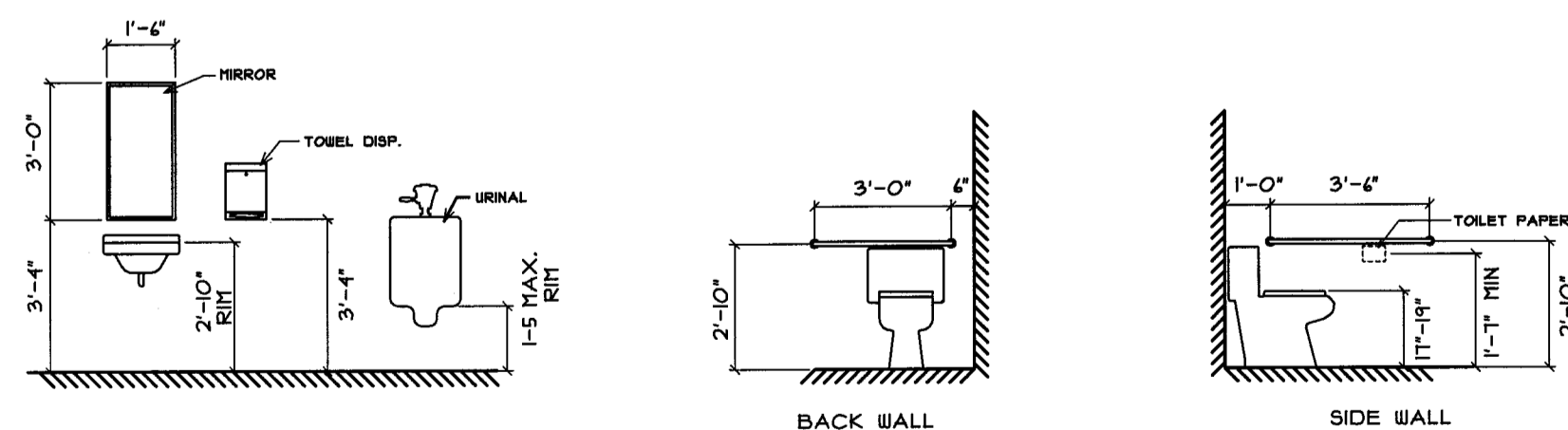
SET #1	HINGES, CLOSER, PUSH/PULL, WEATHERSTRIP, THRESHOLD
SET #2	HINGES, LEVER LOCKSET
SET #3	HINGES, LEVER PRIVACY SET

NOTE: ALL LOCKS TO BE MASTER KEYED

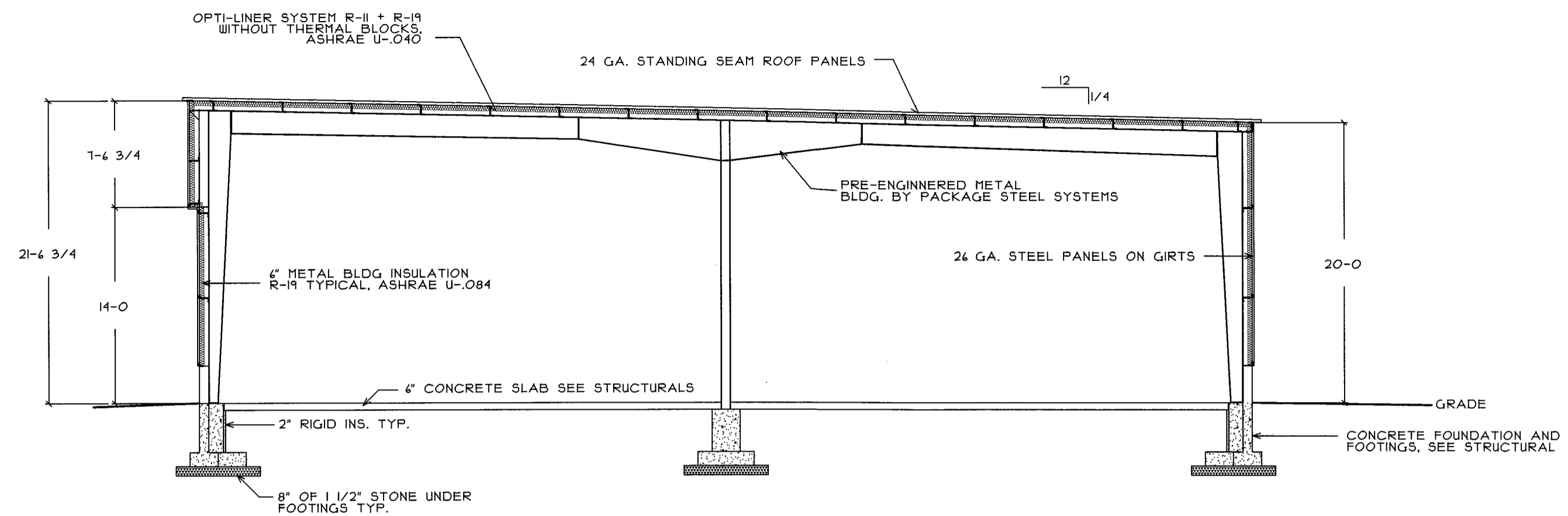
WINDOW SCHEDULE

TAG	SIZE	TYPE	MANUFACTURER	GLAZING	"U" VALUE	SHGC	REMARKS
A	12" X 48"	SLIDER	MARVIN INTEGRITY	LOW "E" WITH ARGON	0.31	0.33	

NOTE:
PROVIDE SOLID WOOD BLOCKING IN WALL
FOR MOUNTING OF ALL WALL MOUNTED ITEMS

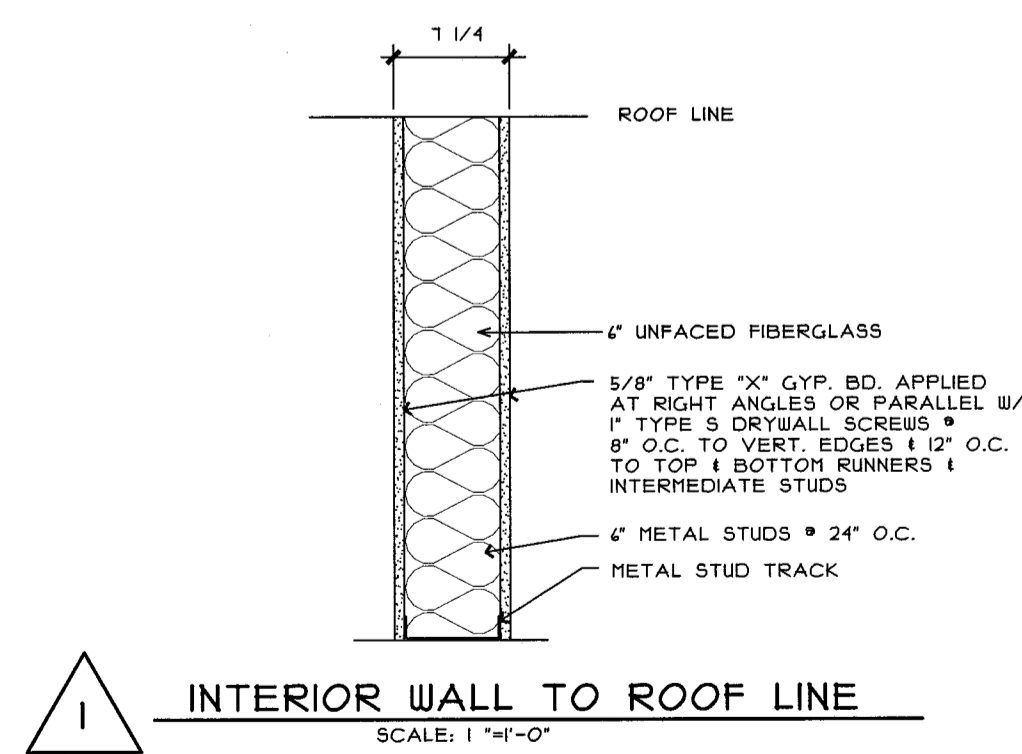


TOILET FIXTURE MOUNTING HEIGHTS

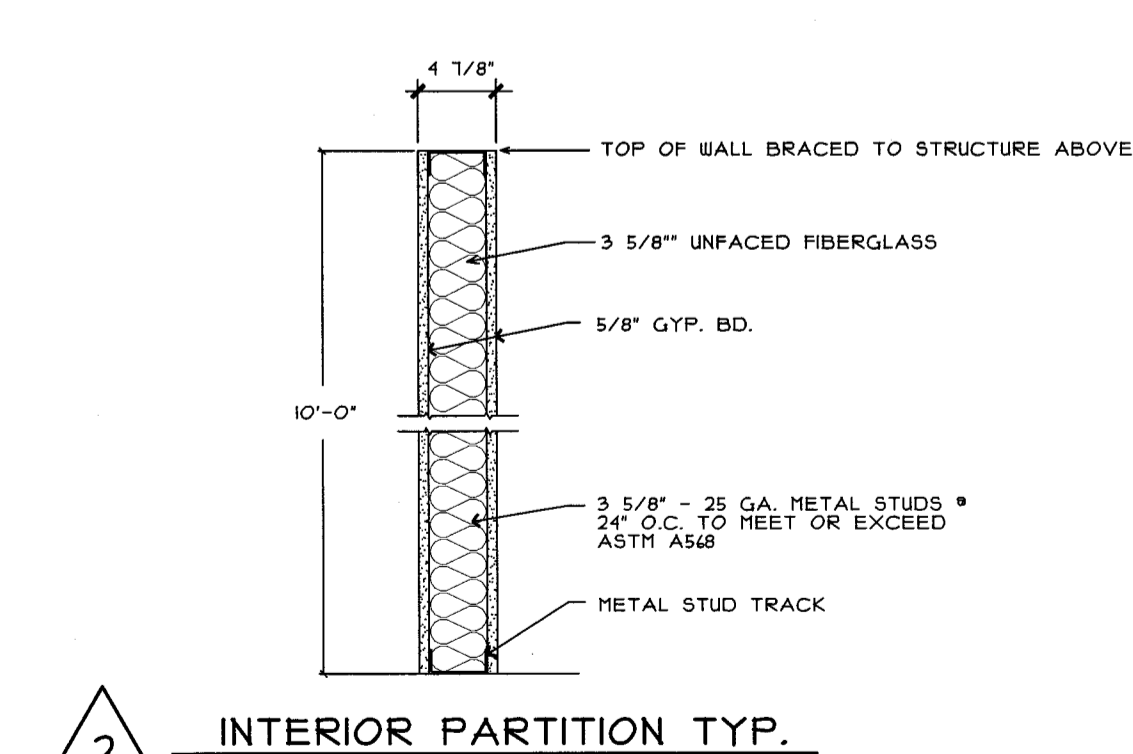


BUILDING SECTION

SCALE: 1/8" = 1'-0"



1 INTERIOR WALL TO ROOF LINE
SCALE: 1" = 1'-0"

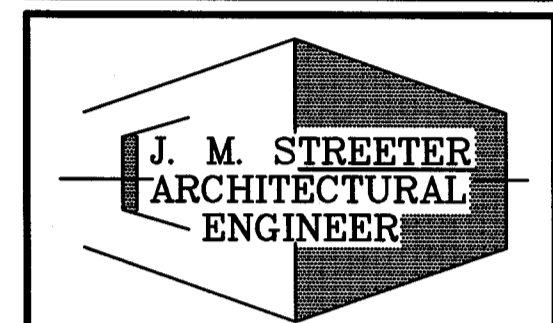
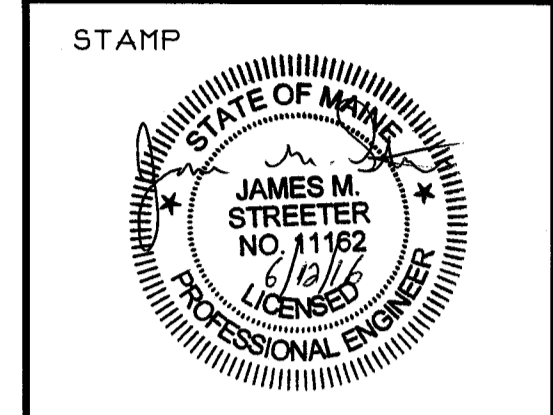


2 INTERIOR PARTITION TYP.
SCALE: 1" = 1'-0"



BISKUP CONSTRUCTION, INC.
16 DANIELLE DRIVE
WINDHAM, MAINE 04062
TEL. (207) 892-9800
FAX. (207) 892-9895

WWW.BISKUPCONSTRUCTION.COM



44 CARSOE DRIVE
PORTLAND, MAINE 04103 (207) 797-3093

PROJECT:
1039 RIVERSIDE LLC
1039 RIVERSIDE STREET
UNIT # 2
PORTLAND, MAINE

REVISIONS	
DATE	DESCRIPTION

DATE: 6/4/2016
SCALE: 1/8" = 1'-0"
DESIGNER: JS
CHECKED BY: JB
© COPYRIGHT
BISKUP CONSTRUCTION, INC.

SHEET TITLE
SCHEDULES
&
DETAILS

SHEET NUMBER
A-4
SHEET 4 OF 5