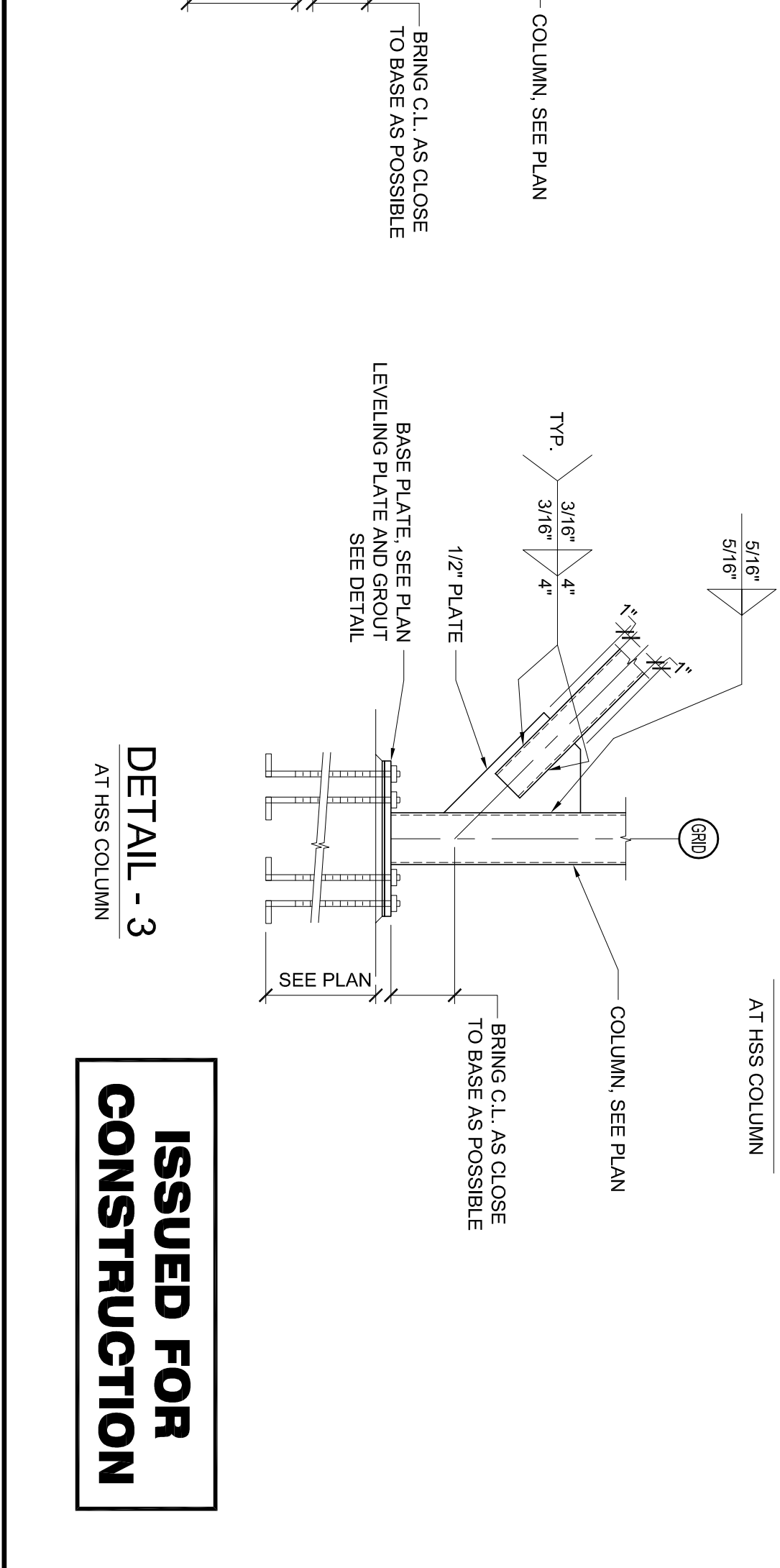
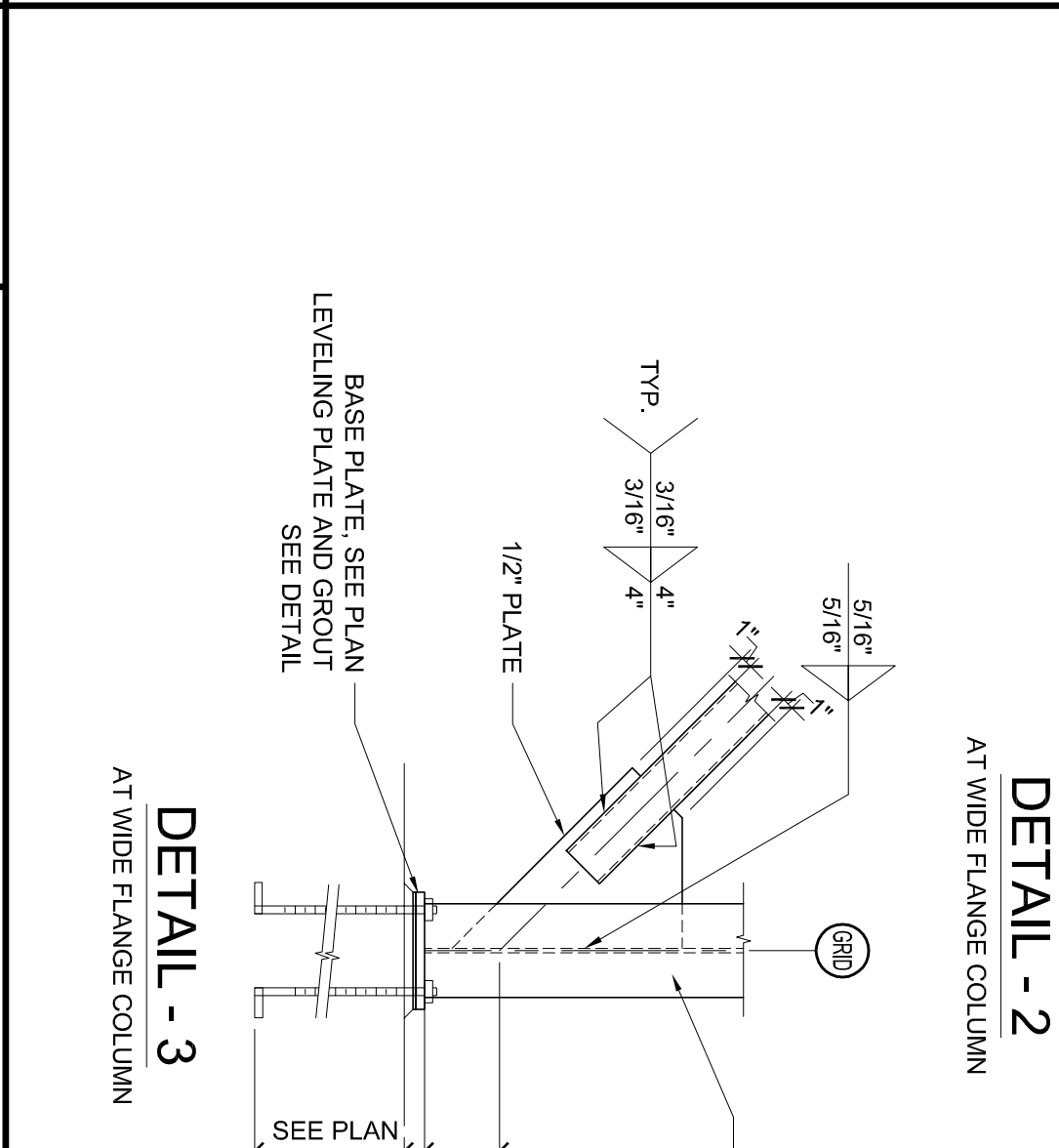
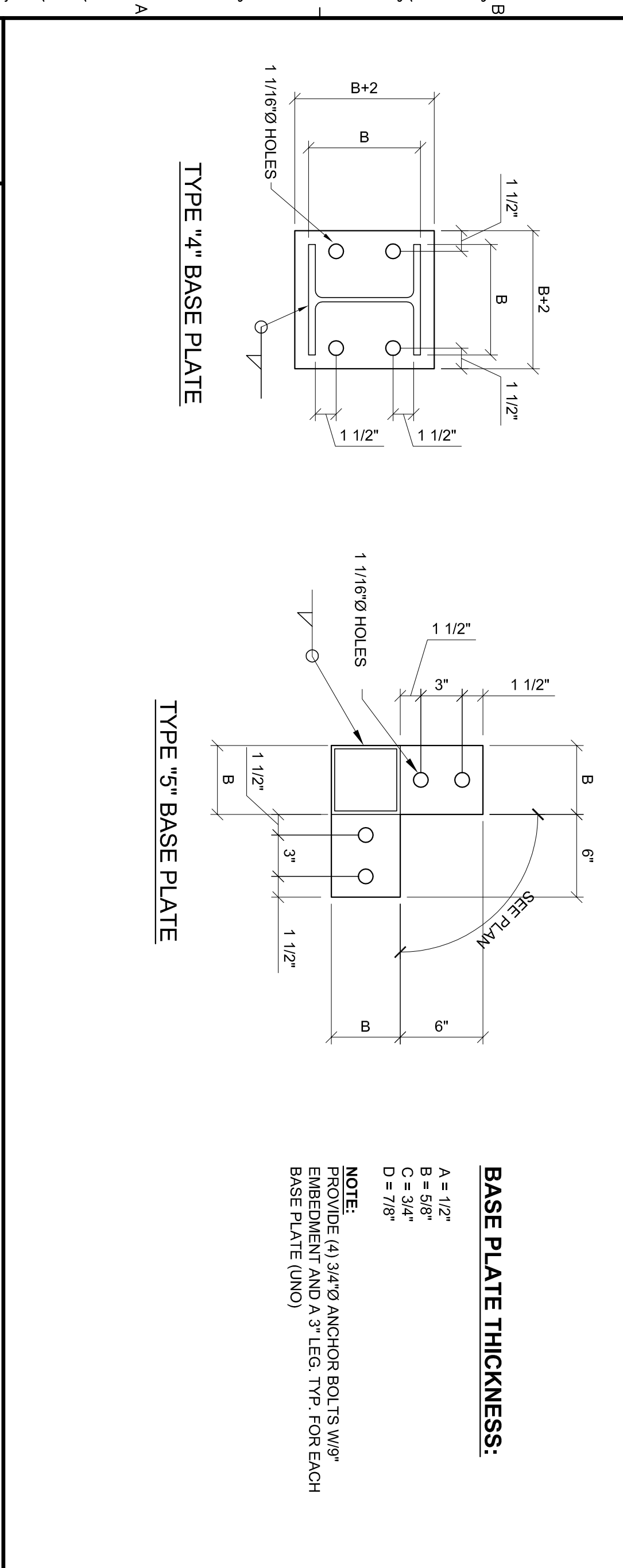
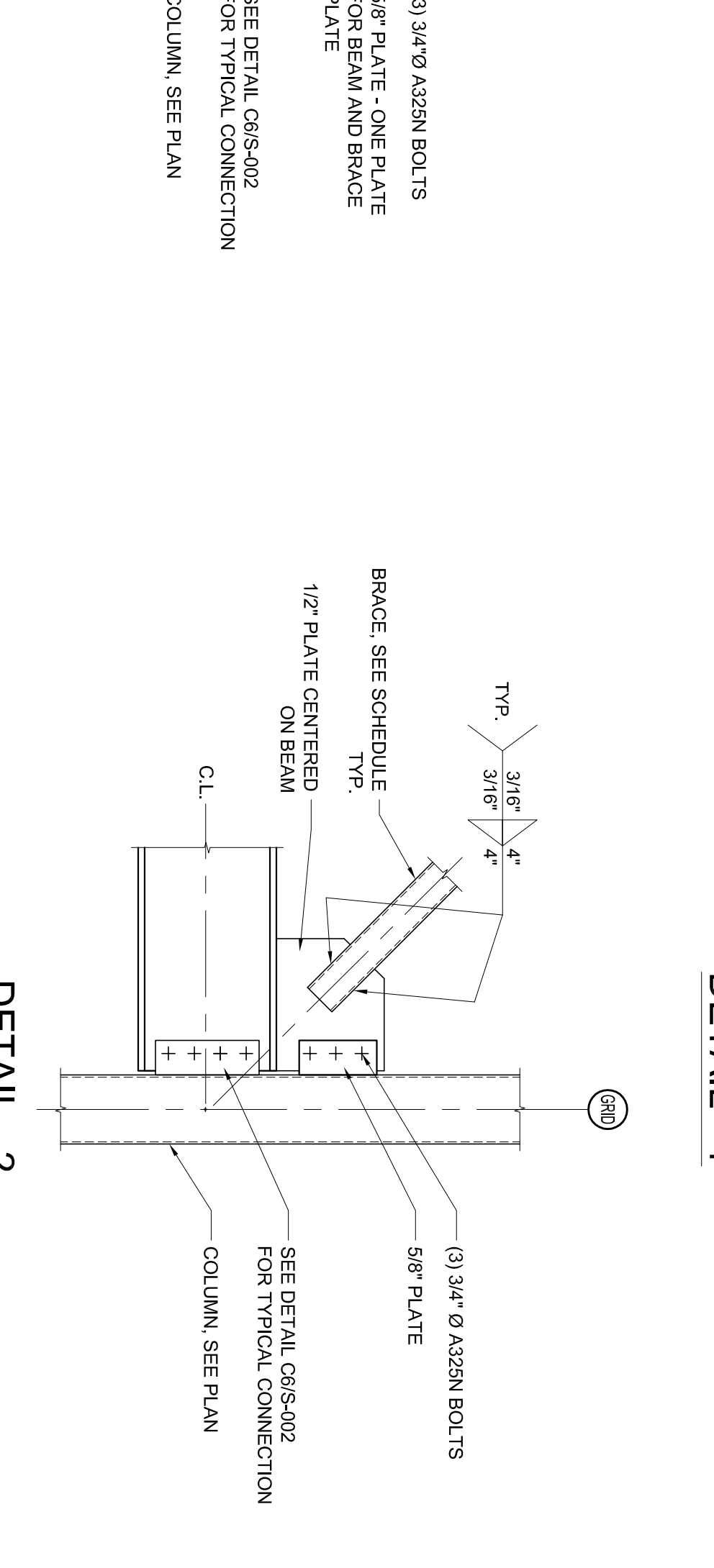
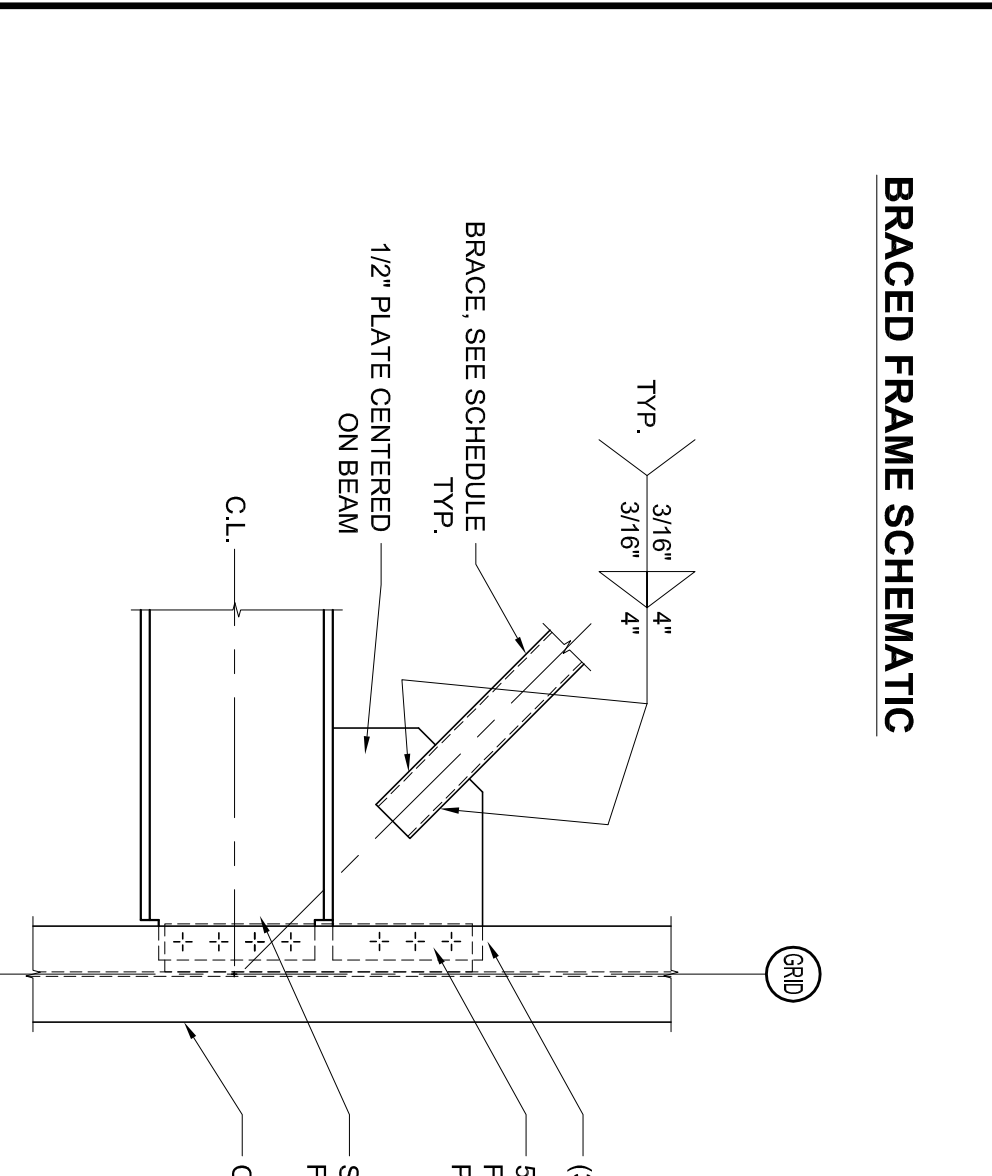
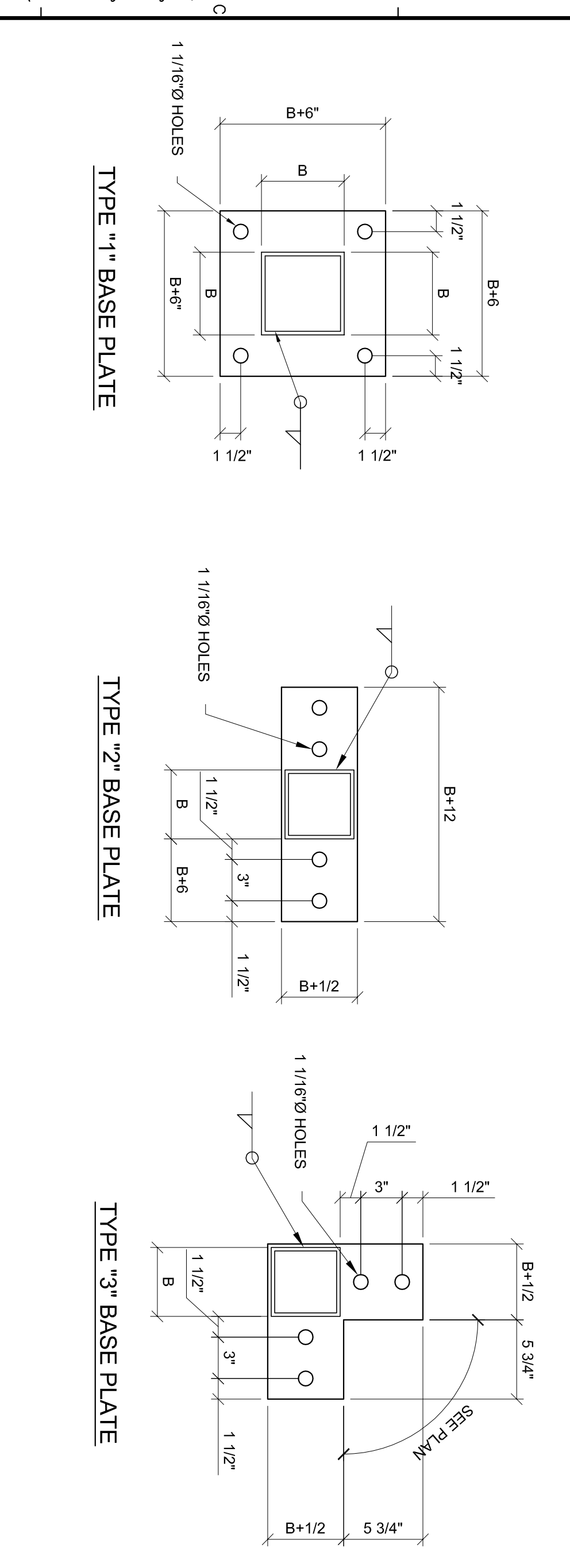
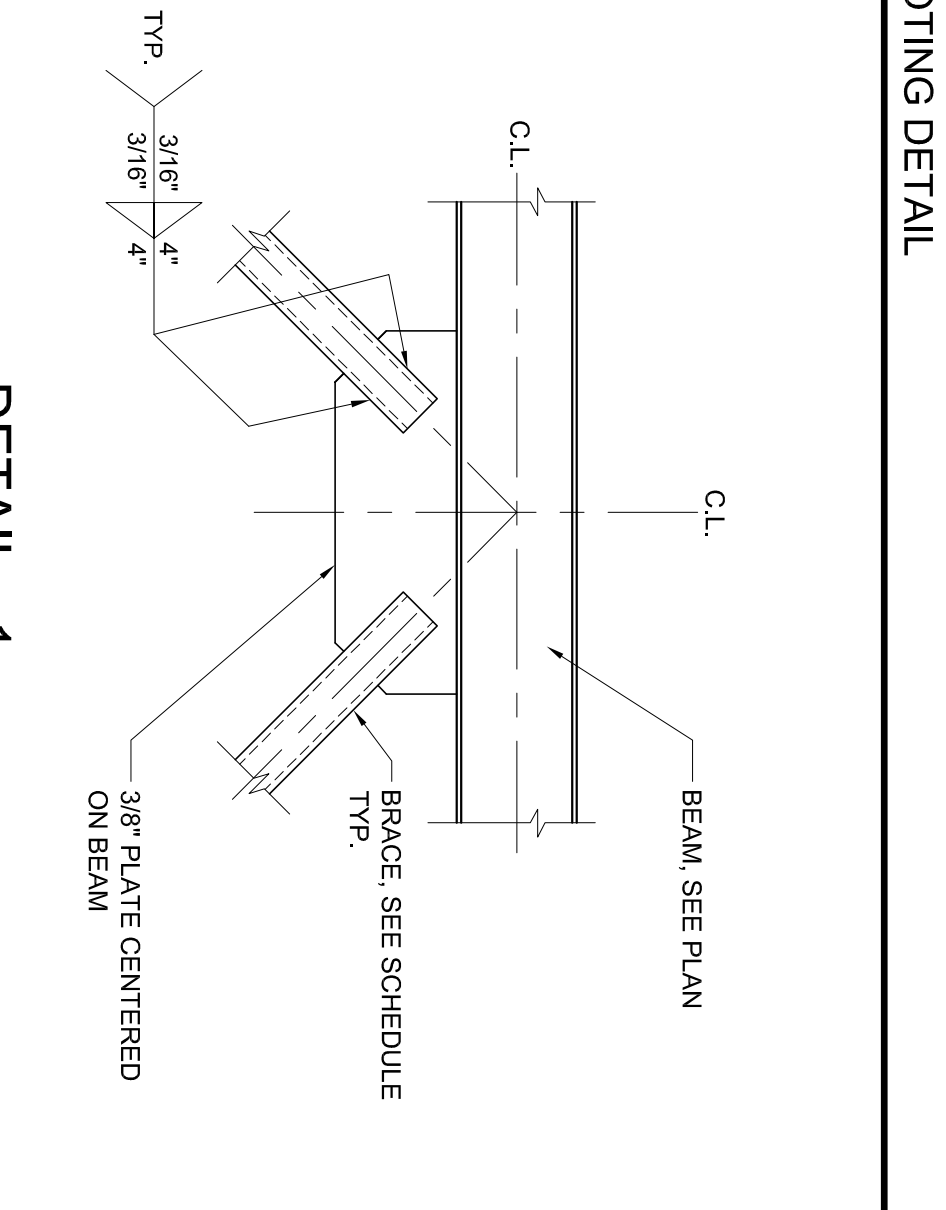


**BRACED FRAME SCHEDULE**

LOCATION	E/F10 - F/10	E/2 - F/2	H/4 - H/7	C/5/4 - C/5/6
LENGTH	20'-0"	20'-0"	30'-0"	24'-0 1/2"
B1	HSS 4x4x1/4	HSS 4x4x1/4	HSS 4x4x1/4	HSS 4x4x1/4
B2	HSS 4x4x1/4	HSS 4x4x1/4	HSS 4x4x1/4	HSS 4x4x1/4
B3	HSS 4x4x1/4	HSS 4x4x1/4	HSS 4x4x1/4	HSS 5x5x1/4
B4	HSS 4x4x1/4	HSS 4x4x1/4	HSS 4x4x1/4	HSS 5x5x1/4



**REVISIONS**

NUMBER	DATE	BY	DESCRIPTION

**Allyed Engineering**  
Structural Mechanical Electrical Commissioning

160 Veranda Street  
Portland, Maine 04103  
T: 207.221.2260  
F: 207.221.2266  
Web: www.allied-eng.com

**NOTES AND MISC. DETAILS**

DELTA ROOFING  
PORTLAND, MAINE

**S-001**

