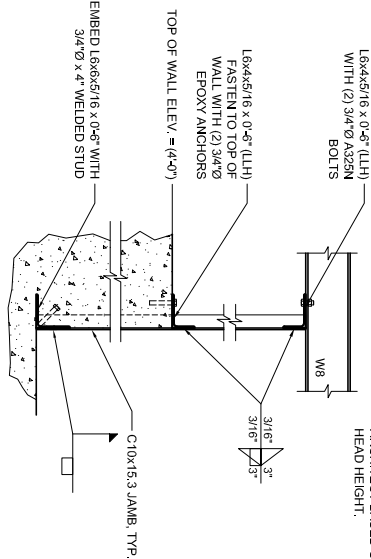
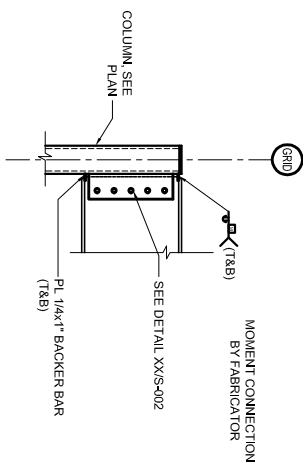


G.C. NOTE: COORDINATE TOP OF BEAM ELEVATION WITH ARCHITECT BASED ON OVERALL HEAD HEIGHT.



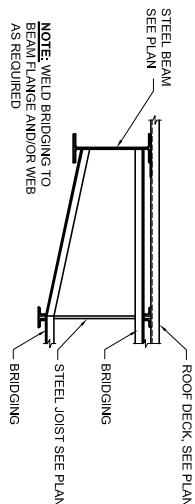
C1 TYPICAL OVERHEAD DOOR JAMB DETAIL AT EXTERIOR WALL

NOTE: JOISTS, DECK AND OTHER FRAMING NOT SHOWN FOR CLARITY - REFER TO PLANS FOR ALL ADDITIONAL FRAMING

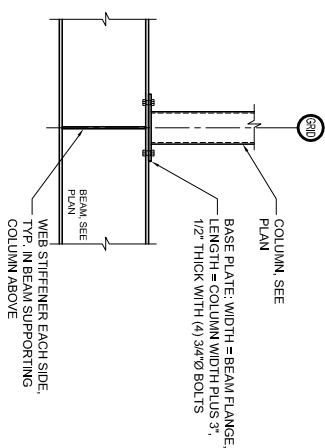


E4 TYPICAL MOMENT FRAME DETAIL

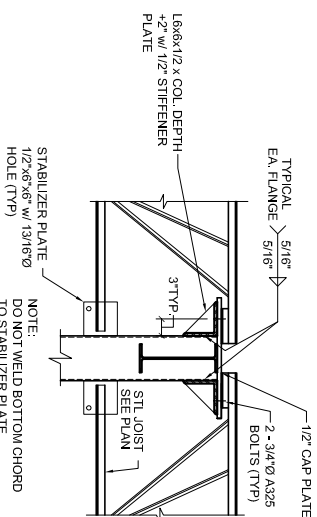
TYPICAL AT ALL HORIZONTAL TOP AND BOTTOM CHORD BRIDGING AND UPLIFT BRIDGING LOCATIONS



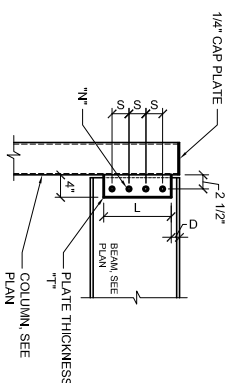
E6 TYPICAL BRIDGING TERMINATION AT BEAM



E8 TYPICAL COLUMN ABOVE DETAIL



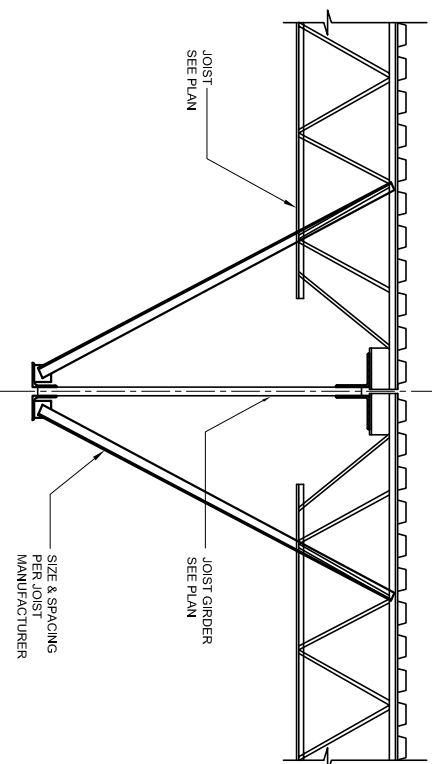
C3 TYPICAL TIE-JOIST TO COLUMN DETAIL (U.N.O.)



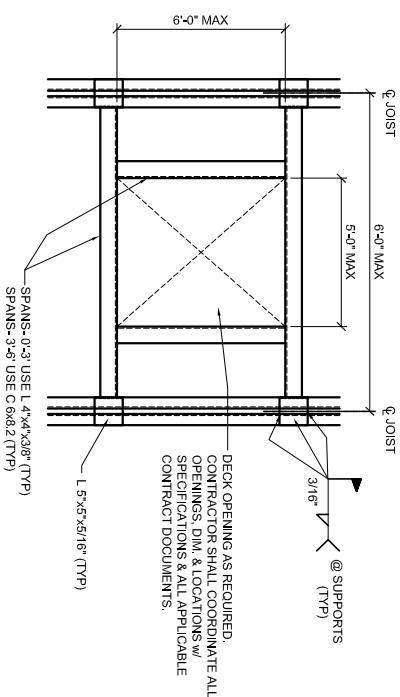
C6 TYPICAL BEAM TO COLUMN DETAIL

CONNECTION SCHEDULE						
BEAM	N	L	T	D	S	
W8	2	6"	3/8"	1"	3"	
W10	2	6"	3/8"	1 1/2"	3"	
W12	3	9"	3/8"	1 1/2"	3"	
W14	3	9"	3/8"	1 1/2"	3"	
W16	4	12"	3/8"	1 1/2"	3"	
W18	5	15"	3/8"	1 1/2"	3"	
W21	6	18"	3/8"	1 1/2"	3"	
W24	6	18"	3/8"	1 1/2"	3"	

NOTES:
 1. ALL BOLTS SHALL BE 3/4" DIA A325N (U.N.O.)
 2. N = NUMBER OF BOLTS
 3. L = LENGTH OF PLATE
 4. T = THICKNESS OF PLATE
 5. D = DEPTH OF PLATE FROM TOP FLANGE OF BEAM
 6. S = BOLT SPACING

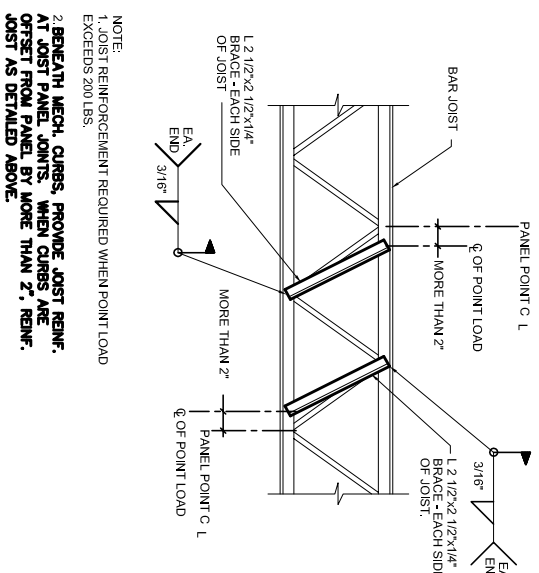


A1 TYPICAL JOIST GIRDER BRIDGING DETAIL



NOTES:
 1. 1, 2, 3 OR 4 SIDED FRAMES MAY BE USED AS REQUIRED. ALSO, LOOSE INTERIOR MEMBERS MAY BE USED FOR ADDED ADJUSTMENT.
 2. FRAME NOT REQUIRED FOR ROUND OPENINGS LESS THAN 12\"/>

A5 TYPICAL FRAMED OPENING IN ROOF DECK U.N.O.



NOTE:
 1. JOIST REINFORCEMENT REQUIRED WHEN POINT LOAD EXCEEDS 200 LBS.
 2. BEYOND MECH. CURBS, PROVIDE JOIST REINF. AT JOIST PANEL JOINTS. WHEN CURBS ARE OFFSET FROM PANEL, BY MORE THAN 2\"/>

A8 TRUSS FIELD MODIFICATION FOR POINT LOAD > 200 #

ISSUED FOR CONSTRUCTION

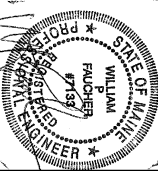
TYPICAL MISC. DETAILS

DELTA ROOFING
 PORTLAND, MAINE

Date: 08/08/2006
 Drawn By: PED
 Checked By: WPF
 Project Mgr: WPF
 Project No: 06029
 Cad File: 06029S0.dwg
 Graphic Scale: 0 1"

REVISIONS

NUMBER	DATE	BY	DESCRIPTION



Allied Engineering
 Structural Mechanical Electrical Commissioning

160 Veranda Street
 Portland, Maine 04103
 T: 207.221.2260
 F: 207.221.2266
 Web: www.allied-eng.com