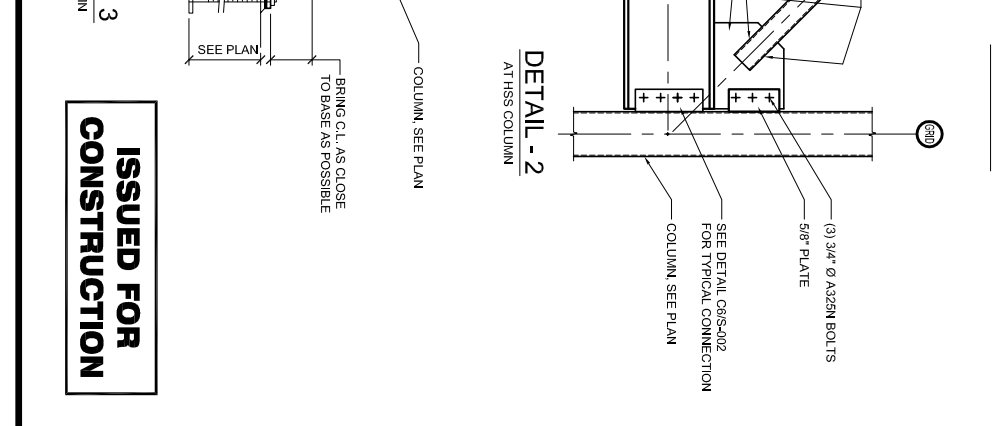
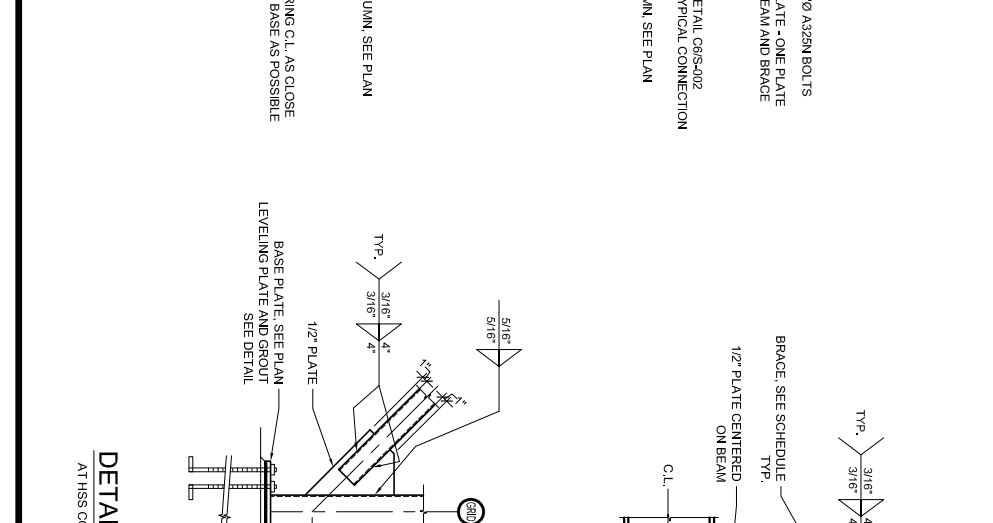
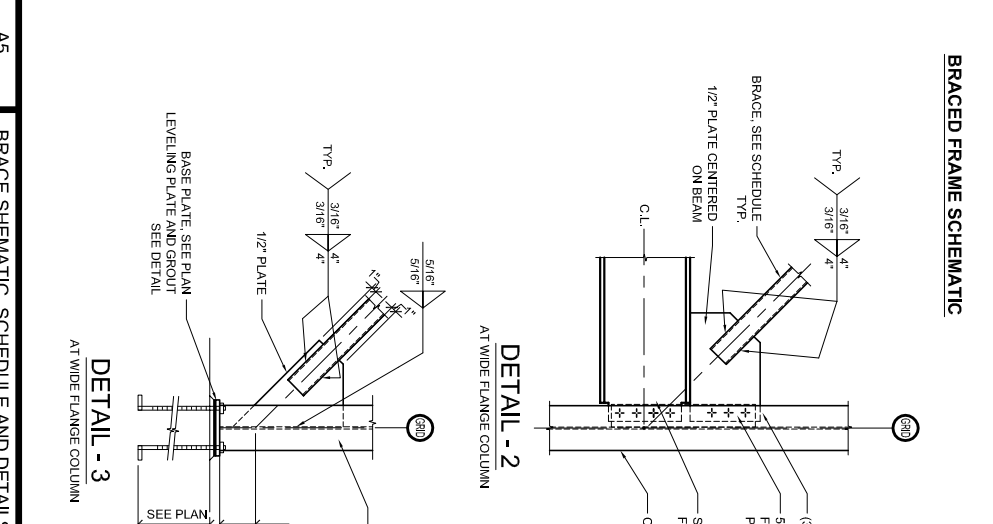
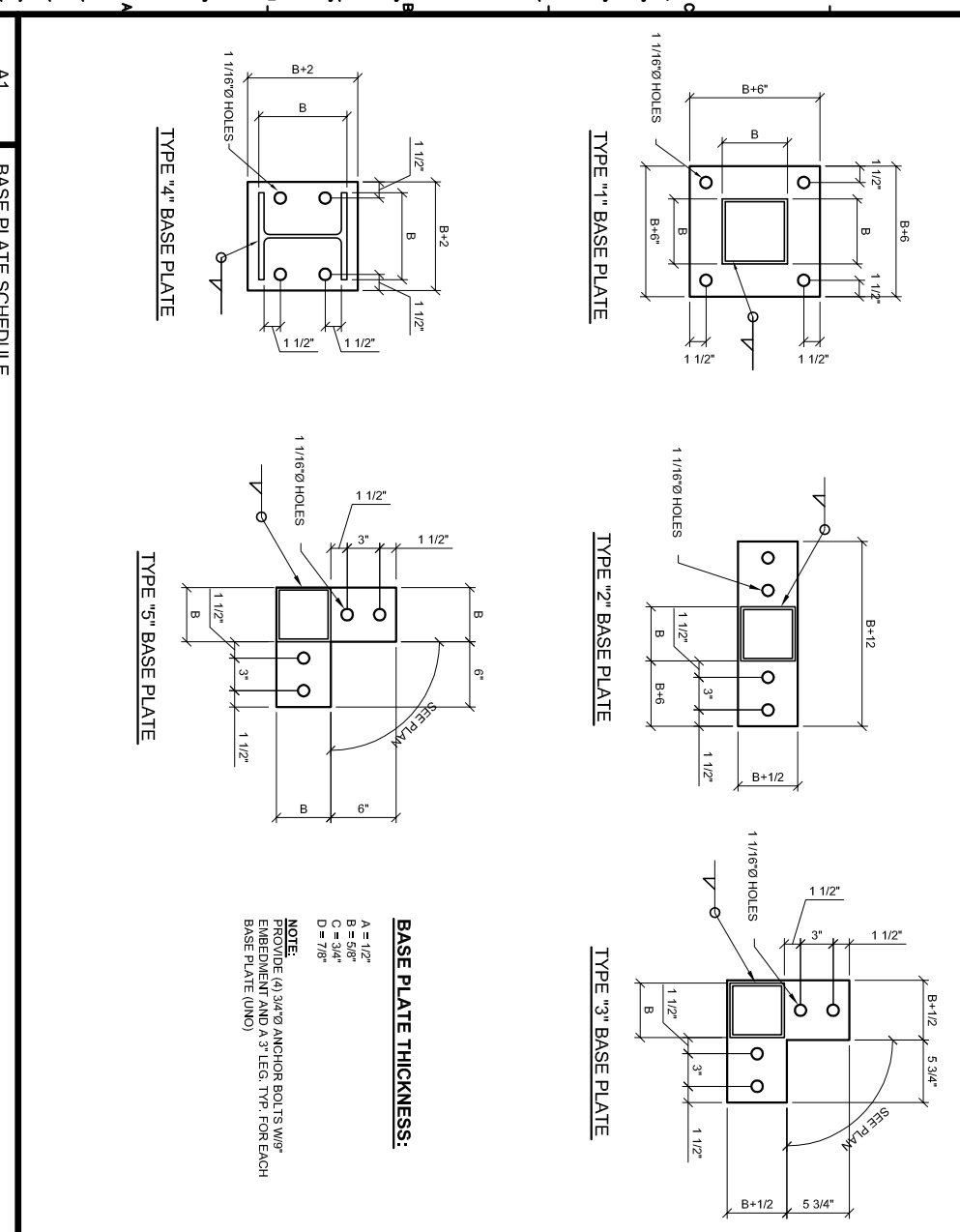
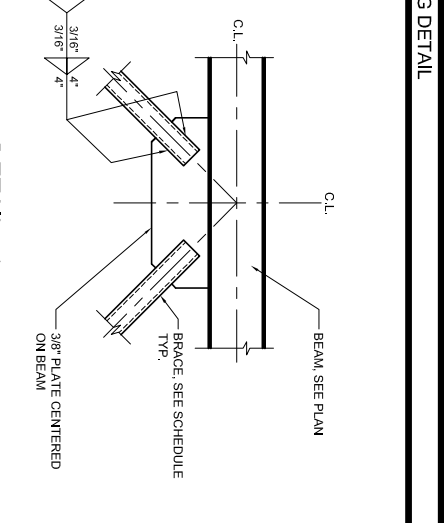


LOCATION	E10 - F10	E2 - F2	H1 - H7	C54 - C56
LENGTH	20'-0"	20'-0"	30'-0"	34'-0" 1/2"
B1	HSS 4x4x1/4	HSS 4x4x1/4	HSS 4x4x1/4	HSS 4x4x1/4
B2	HSS 4x4x1/4	HSS 4x4x1/4	HSS 4x4x1/4	HSS 4x4x1/4
B3	HSS 4x4x1/4	HSS 4x4x1/4	HSS 4x4x1/4	HSS 4x4x1/4
B4	HSS 4x4x1/4	HSS 4x4x1/4	HSS 4x4x1/4	HSS 5x5x1/4

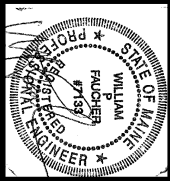


**ISSUED FOR CONSTRUCTION**

NOTES AND MISC. DETAILS  
DELTA ROOFING  
PORTLAND, MAINE

Date: 08/08/2006  
Drawn By: PED  
Checked By: WPF  
Project Mgr: WPF  
Project No: 06029  
Cad File: 06029S0.dwg  
Graphic Scale: 0 1"

NUMBER	DATE	BY	DESCRIPTION



**Allied Engineering**  
Structural Mechanical Electrical Commissioning  
160 Veranda Street  
Portland, Maine 04103  
T: 207.221.2260  
F: 207.221.2266  
Web: www.allied-eng.com