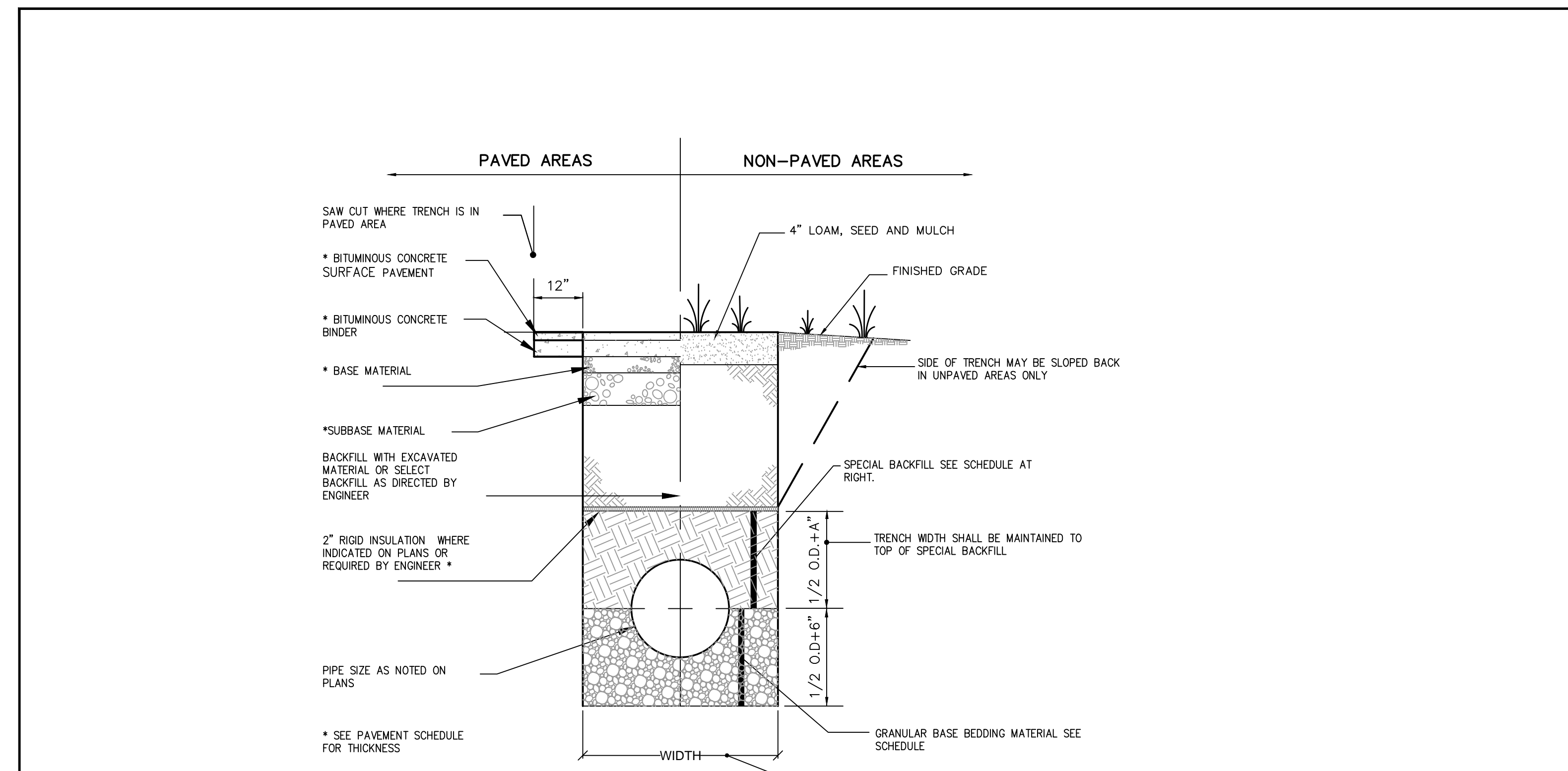


**(A) BIKE HITCH MOUNTING DETAIL**  
N.T.S.



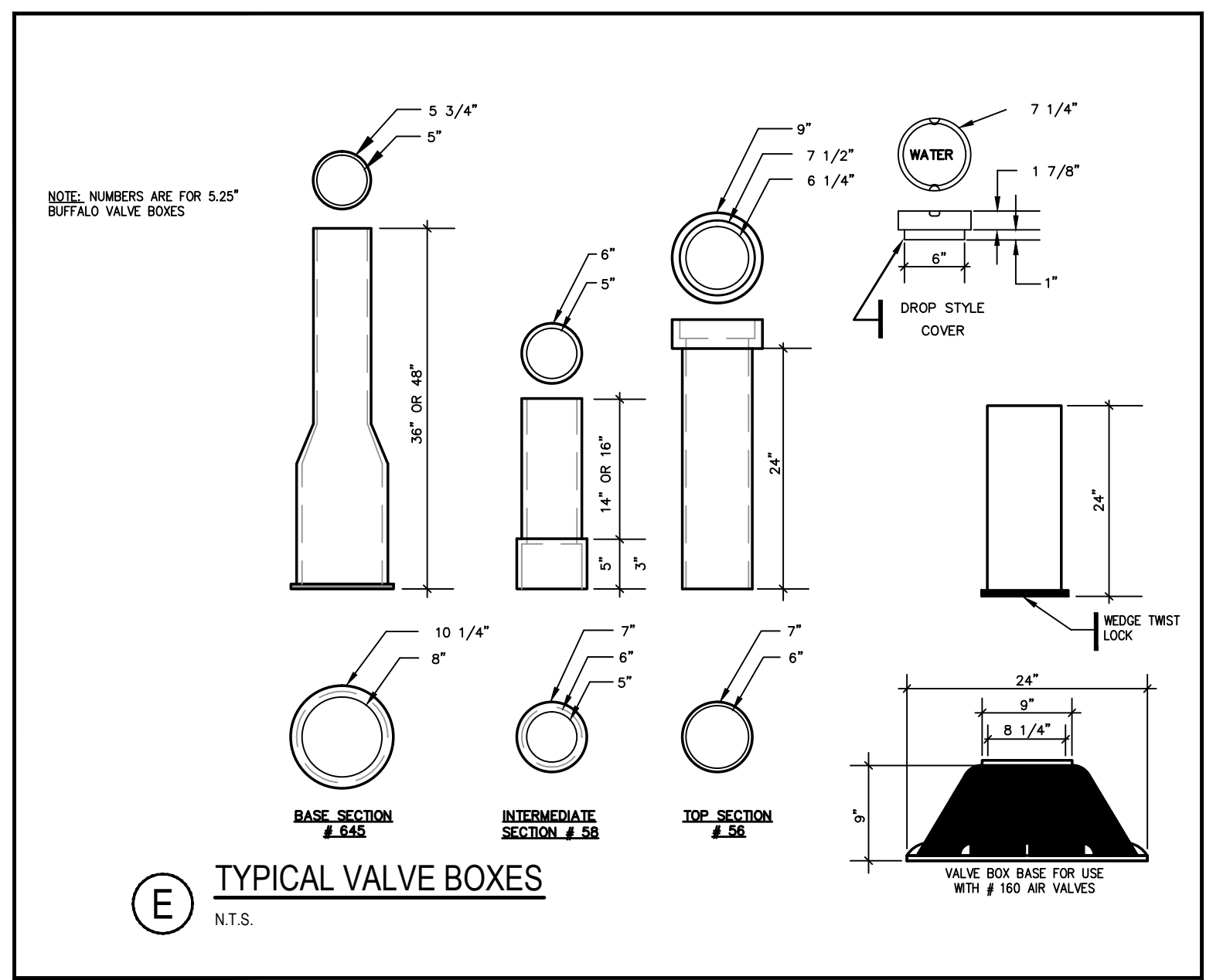
**(C) TYPICAL SEWER, WATER MAIN, & STORM DRAIN TRENCH SECTION**  
N.T.S.

TYPE OF PIPE	BEDDING MATERIAL	SPECIAL BACKFILL	SPECIAL BACKFILL COVER "A" (IN)	SELECT BACKFILL
CONCRETE	3/4" CRUSHED STONE	GRANULAR AASHTO M145-49 A-3 OR BETTER	12	GRANULAR AASHTO M145-49 A-3 OR BETTER
PVC	3/4" CRUSHED STONE	GRANULAR AASHTO M145-49 A-3 OR BETTER	6	GRANULAR AASHTO M145-49 A-3 OR BETTER
CMP	3/4" CRUSHED STONE	GRANULAR AASHTO M145-49 A-3 OR BETTER	6	GRANULAR AASHTO M145-49 A-3 OR BETTER
DUCTILE IRON	GRANULAR AASHTO M145-49 A-3 OR BETTER	GRANULAR AASHTO M145-49 A-3 OR BETTER	6	GRANULAR AASHTO M145-49 A-3 OR BETTER

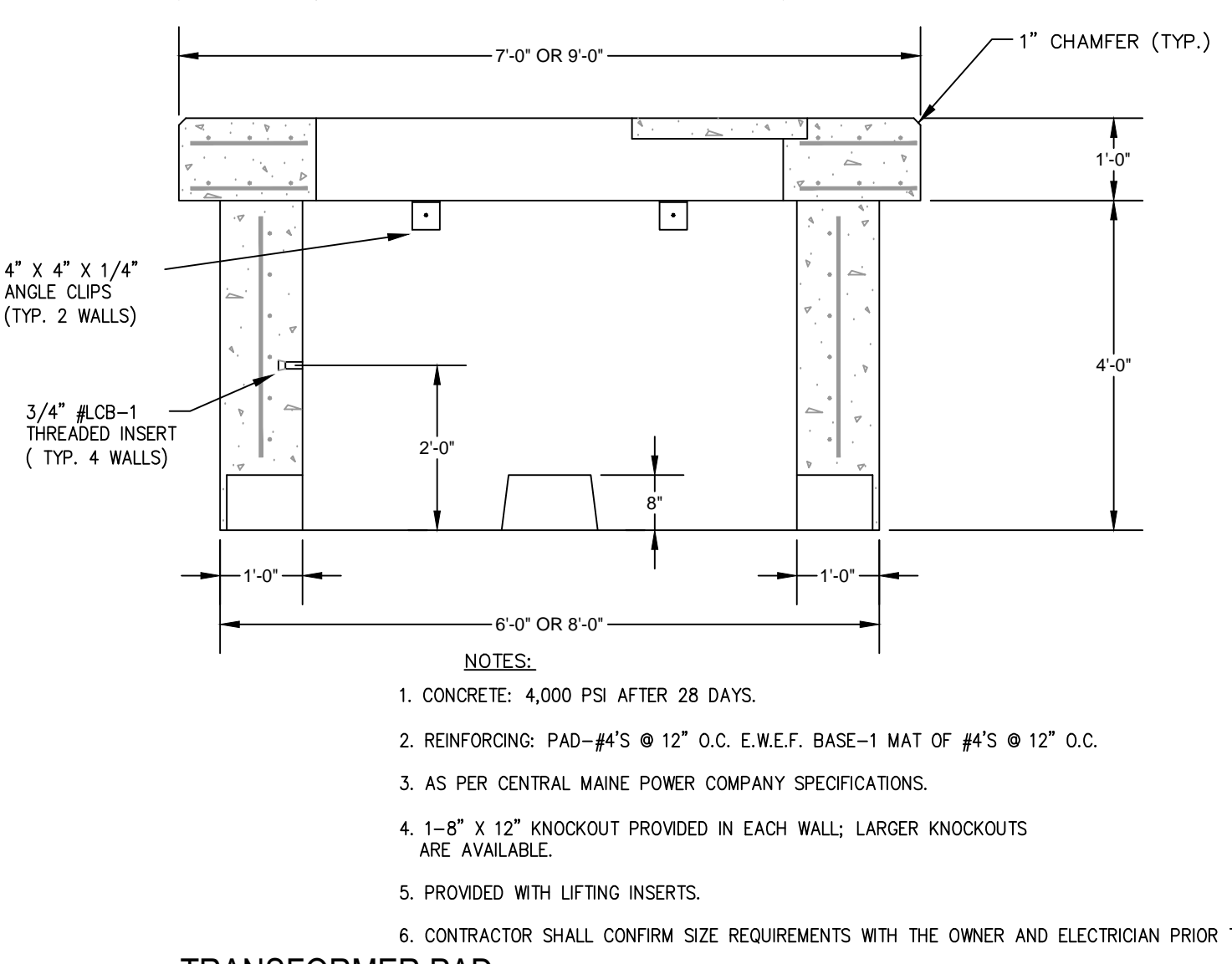
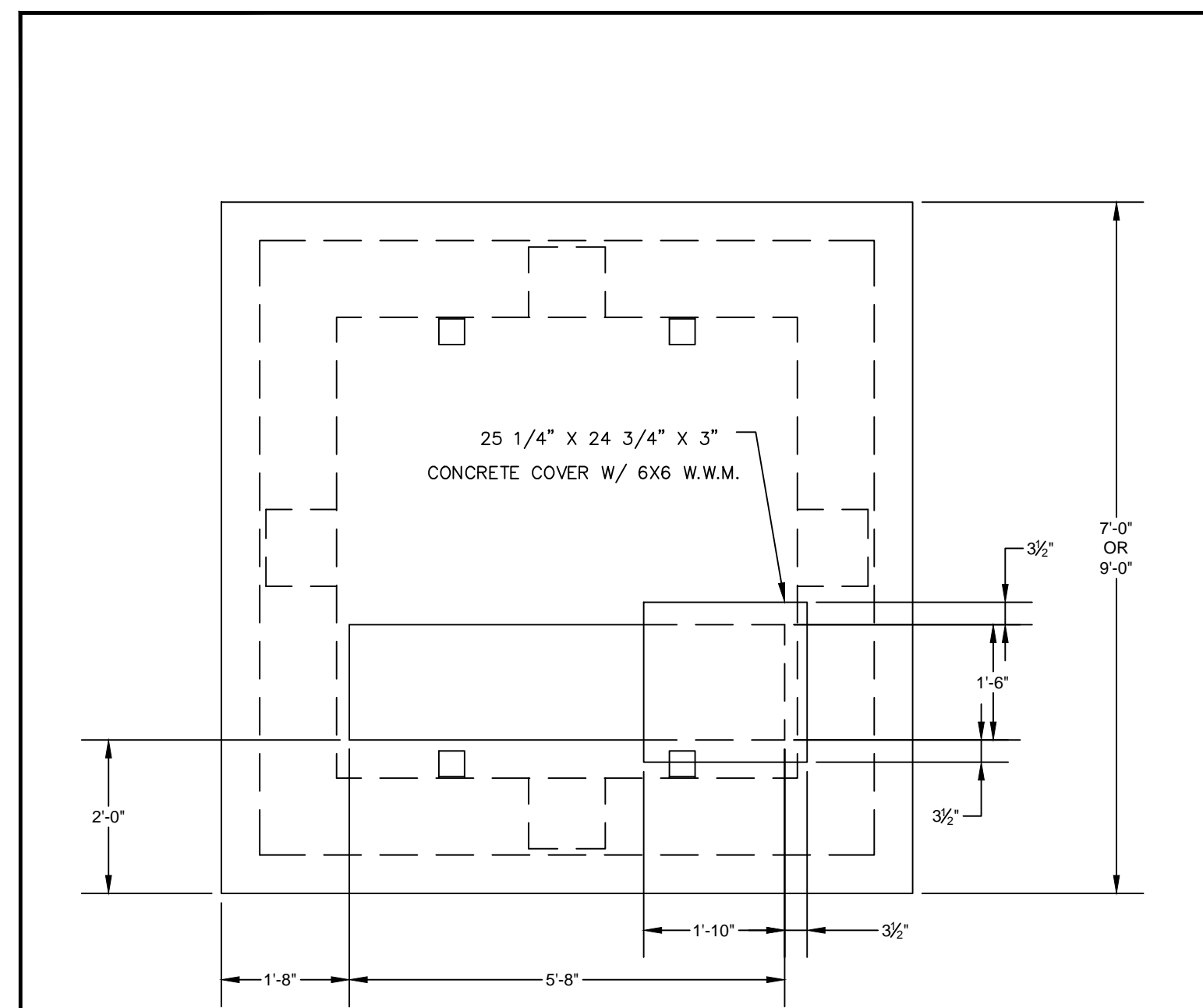
TYPE OF PIPE	BEDDING MATERIAL	SPECIAL BACKFILL	SPECIAL BACKFILL COVER "A" (IN)	SELECT BACKFILL
PVC PRESSURE	3/4" CRUSHED STONE	3/4" CRUSHED STONE	6	GRANULAR AASHTO M145-49 A-3 OR BETTER
PVC GRAVITY	3/4" CRUSHED STONE	GRANULAR AASHTO M145-49 A-3 OR BETTER	6	GRANULAR AASHTO M145-49 A-3 OR BETTER
DUCTILE IRON	3/4" CRUSHED STONE	3/4" CRUSHED STONE	6	GRANULAR AASHTO M145-49 A-3 OR BETTER

PIPE SIZE	MAXIMUM WIDTH
10" OR LESS	4'-0"
12 TO 15	4'-6"
18	4'-6"
24	5'-6"
30	6'-0"
36	6'-9"
42	7'-3"
48	8'-0"

SHEETING, IF REQUIRED, SHALL BE CUT OFF 2'-0" BELOW FINISH GRADE.



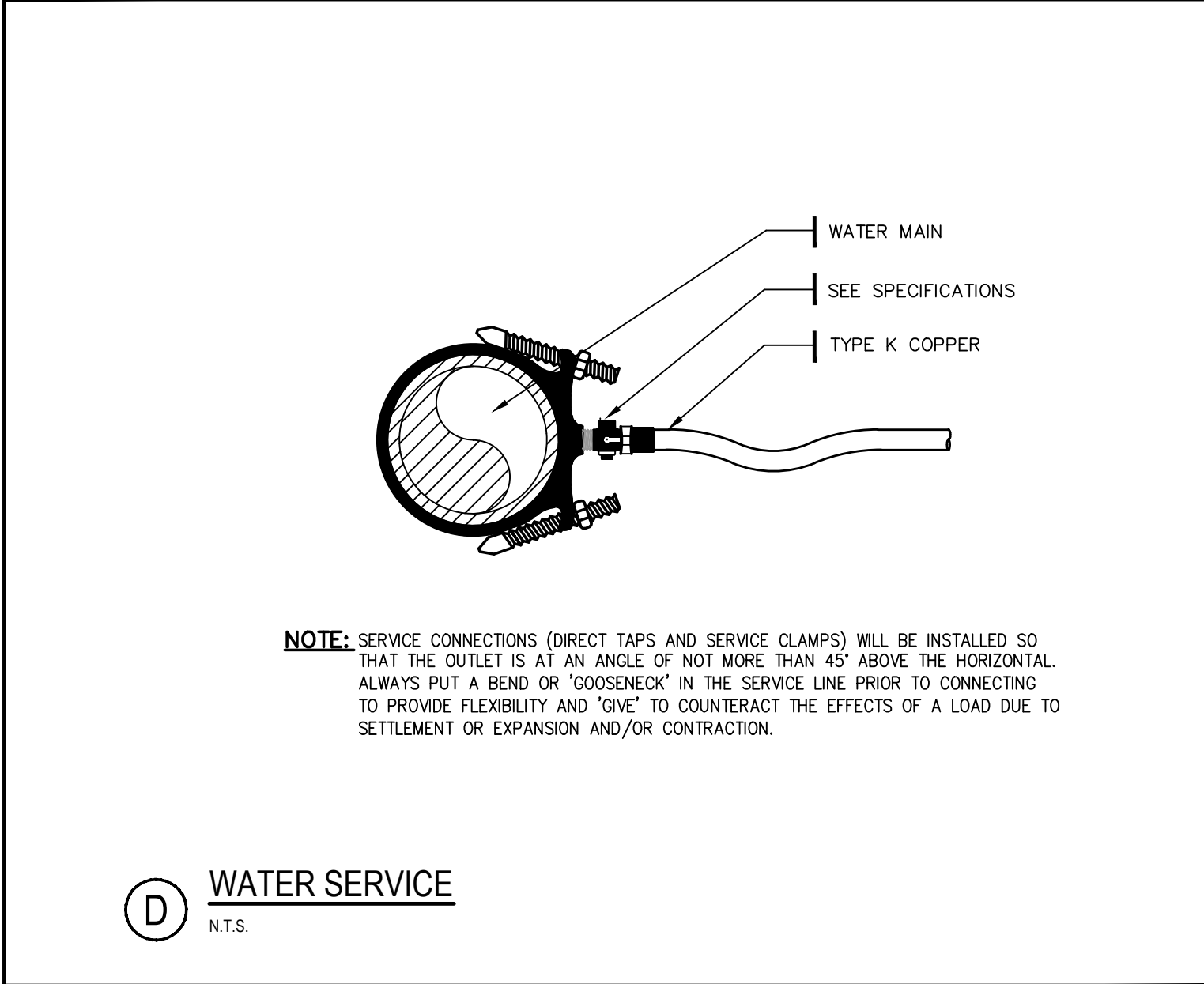
**(E) TYPICAL VALVE BOXES**  
N.T.S.



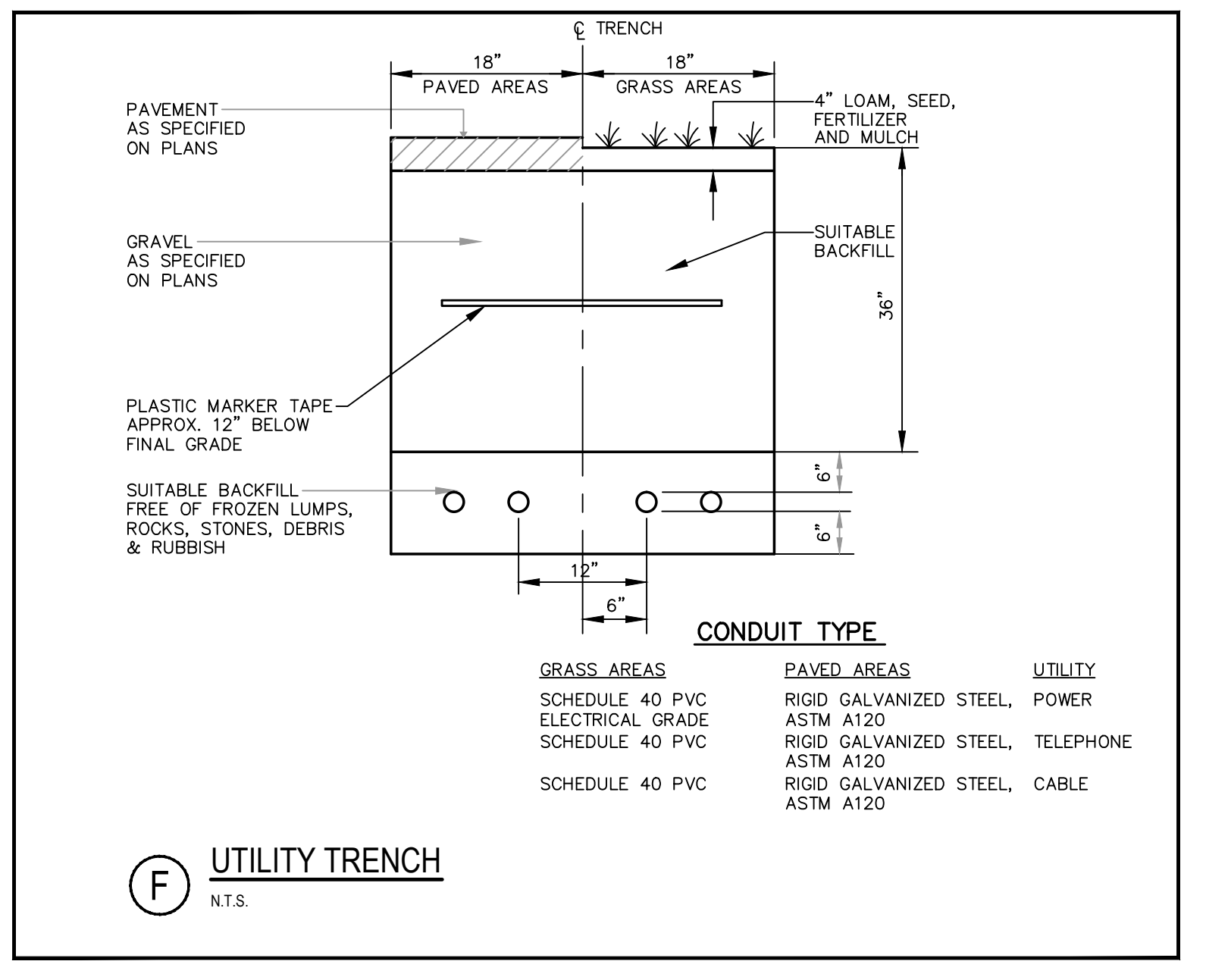
**(B) TRANSFORMER PAD**  
N.T.S.

- NOTES:**
1. CONCRETE: 4,000 PSI AFTER 28 DAYS.
  2. REINFORCING: PAD-#4'S @ 12" O.C. E.W.F.F. BASE-1 MAT OF #4'S @ 12" O.C.
  3. AS PER CENTRAL MAINE POWER COMPANY SPECIFICATIONS.
  4. 1-8" X 12" KNOCKOUT PROVIDED IN EACH WALL; LARGER KNOCKOUTS ARE AVAILABLE.
  5. PROVIDED WITH LIFTING INSERTS.
  6. CONTRACTOR SHALL CONFIRM SIZE REQUIREMENTS WITH THE OWNER AND ELECTRICIAN PRIOR TO ORDERING PAD.

1. PROVIDE COMPACTED GRAVEL BASE AND BACKFILL WITH ADEQUATE DRAINAGE SYSTEM WITH POSITIVE PITCH.
2. PROVIDE CABLE OPENINGS AT BASE OF WELL AS NEEDED.
3. CONDUITS MUST HAVE END BELLS USED AT TERMINATION IN FOUNDATION.
4. LOCATION MUST BE ACCESSIBLE BY TRUCK AND PROTECTED FROM TRAFFIC DAMAGE AS REQUIRED BY CMP.
5. PROVIDE PULL ROPE FOR CMP-OWNED INSTALLATIONS.
6. PROVIDE 15' MINIMUM SLACK FOR EACH CABLE IN WELL.
7. TRANSFORMER MUST BE LOCATED AT LEAST 6' FROM ALL BUILDING WALLS AND 10' FROM ALL BUILDING OPENINGS.
8. CUSTOMER SHALL FURNISH AND INSTALL 3" X 8" GROUND ROD WITH A #4 STR. BARE CU. FITTING.
9. 4" CONDUIT MIN. SIZE FOR 3-PHASE FACILITY.
10. PROVIDE CONDUIT AS REQUIRED BY CMP METER DEPT. FOR METERING.
11. NO METERING PEDESTAL MAY BE ATTACHED TO TRANSFORMER FOUNDATION.
12. FOUNDATION MAY BE SHORTENED TO MEET SOIL CONDITIONS.
13. SEALANT AROUND BASE OF COVER WILL NOT BE PERMITTED OR ACCEPTED.

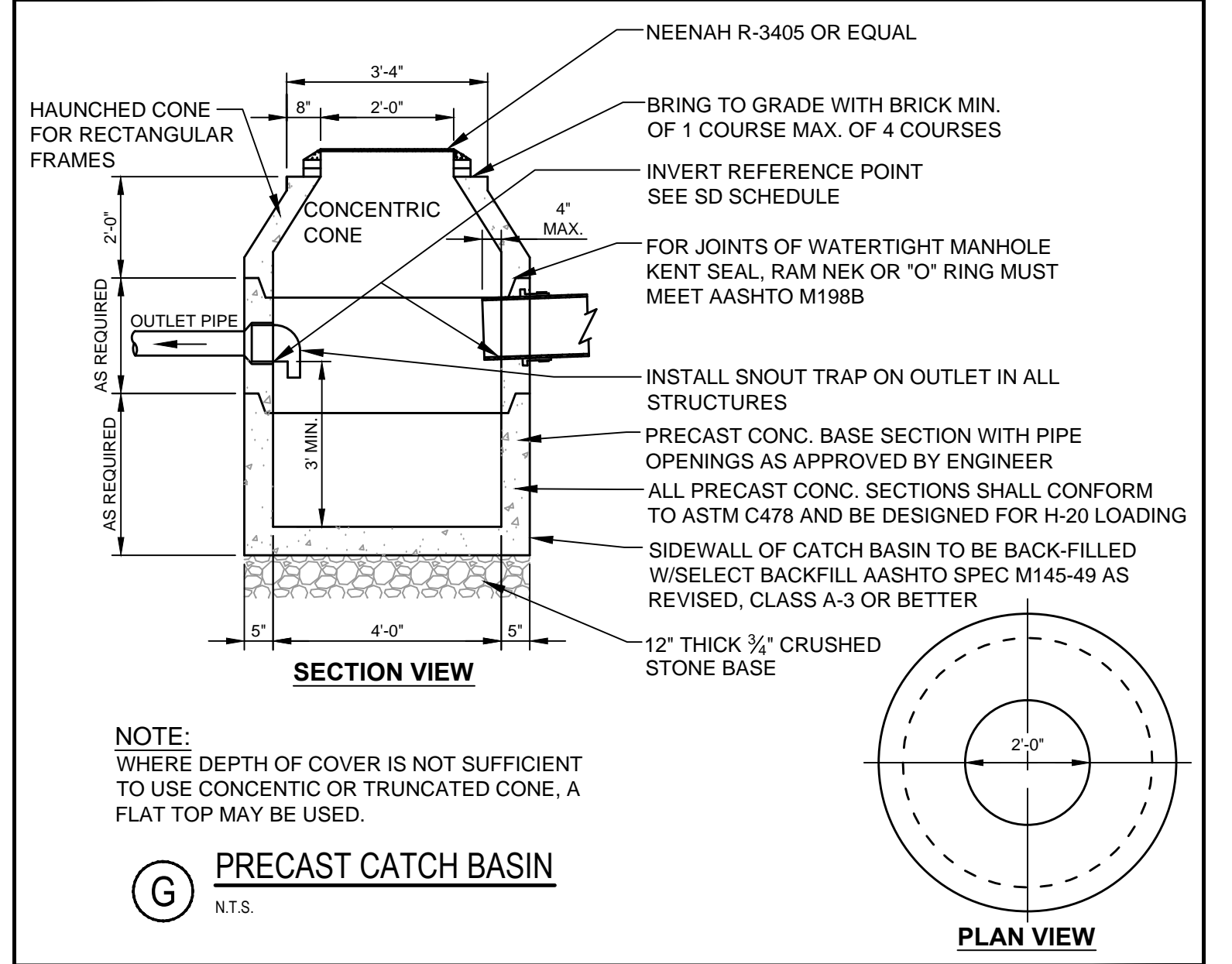


**(D) WATER SERVICE**  
N.T.S.



**(F) UTILITY TRENCH**  
N.T.S.

CONDUIT TYPE	GRASS AREAS	PAVED AREAS	UTILITY
SCHEDULE 40 PVC	SCHEDULE 40 PVC	RIGID GALVANIZED STEEL, ASTM A120	RIGID GALVANIZED STEEL, POWER
ELECTRICAL GRADE	SCHEDULE 40 PVC	RIGID GALVANIZED STEEL, ASTM A120	RIGID GALVANIZED STEEL, TELEPHONE
SCHEDULE 40 PVC	SCHEDULE 40 PVC	RIGID GALVANIZED STEEL, ASTM A120	RIGID GALVANIZED STEEL, CABLE
SCHEDULE 40 PVC	SCHEDULE 40 PVC	RIGID GALVANIZED STEEL, ASTM A120	RIGID GALVANIZED STEEL, CABLE



**(G) PRECAST CATCH BASIN**  
N.T.S.

PRELIMINARY - NOT FOR CONSTRUCTION

		PROJECT <b>SECOND TEE CONDOMINIUM ASSOCIATION BUSINESS PARK EXPANSION - UNIT 2</b>	<b>STANTEC CONSULTING SERVICES INC.</b> 482 PAYNE ROAD SCARBOROUGH, ME 04074 WWW.STANTEC.COM
SHEET TITLE <b>SITE AND UTILITY DETAILS</b>		DRAWN: DED DATE: FEB 2016	
CLIENT <b>1039 RIVERSIDE LLC</b>		DESIGNED: SRB SCALE: AS NOTED	CHECKED: SRB JOB NO. 195350348
REVISIONS		FILE NAME: SP-M168 DETAILS	SHEET <b>C-8</b>