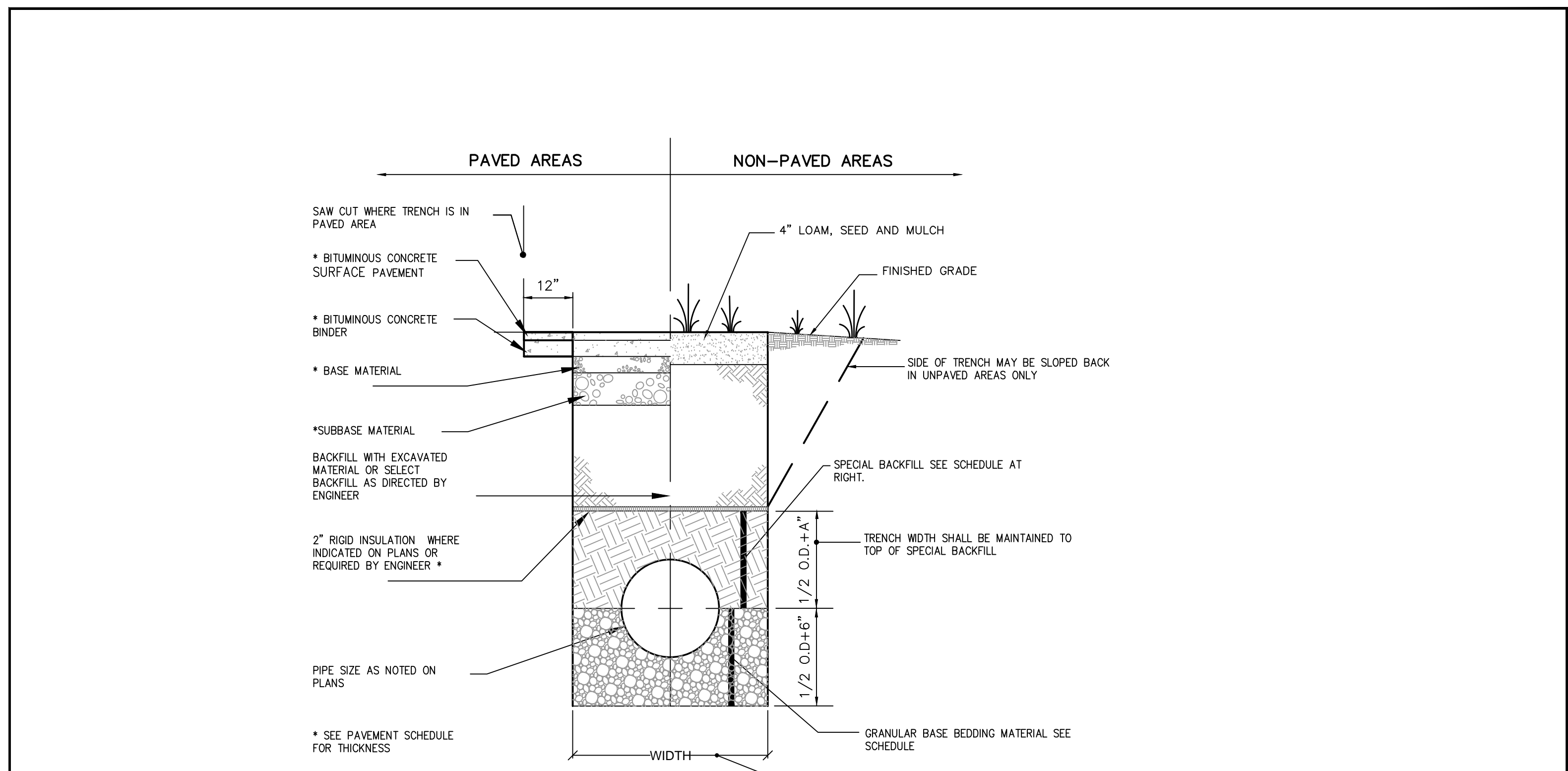


(A) BIKE HITCH MOUNTING DETAIL
N.T.S.



(C) TYPICAL SEWER, WATER MAIN, & STORM DRAIN TRENCH SECTION
N.T.S.

SCHEDULE OF BASE BACKFILL FOR NON-SANITARY INSTALLATIONS

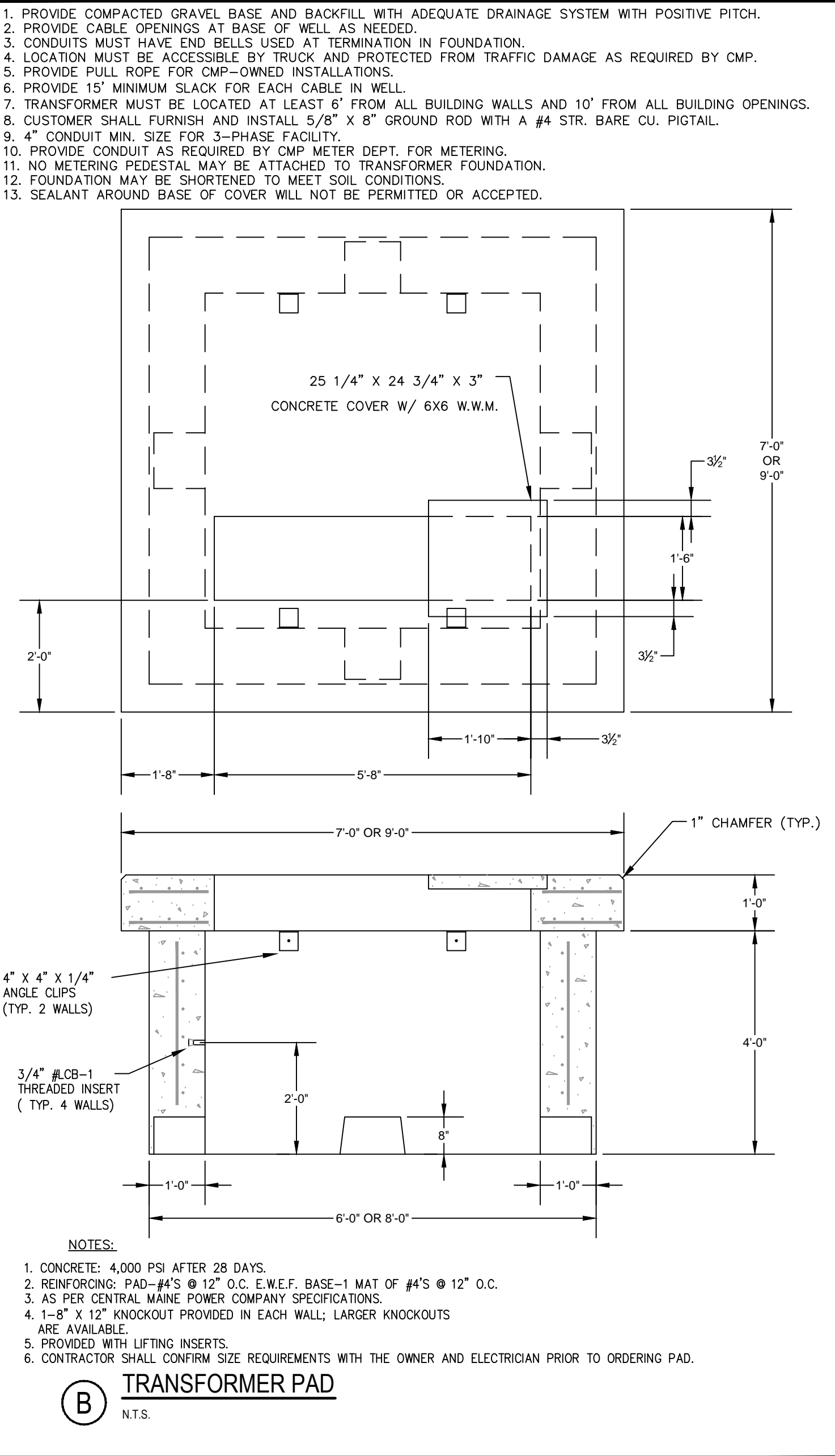
TYPE OF PIPE	BEDDING MATERIAL	SPECIAL BACKFILL	SPECIAL BACKFILL COVER *A* (IN)	SELECT BACKFILL
CONCRETE	3/4\"/>			

SCHEDULE OF BASE BACKFILL FOR SANITARY INSTALLATIONS

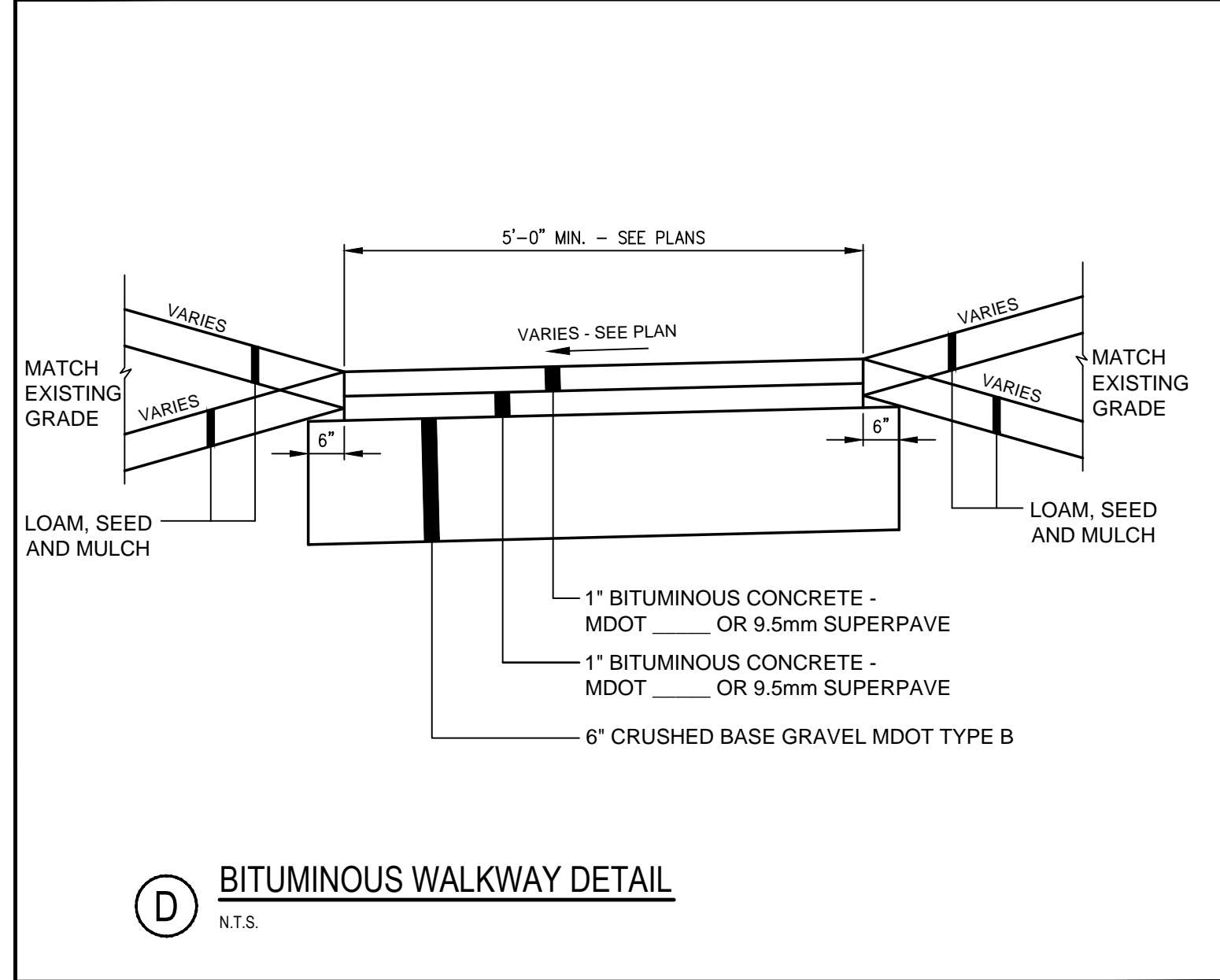
TYPE OF PIPE	BEDDING MATERIAL	SPECIAL BACKFILL	SPECIAL BACKFILL COVER *A* (IN)	SELECT BACKFILL
PVC PRESSURE	3/4\"/>			

MAXIMUM ALLOWABLE TRENCH WIDTHS FOR SEWERS

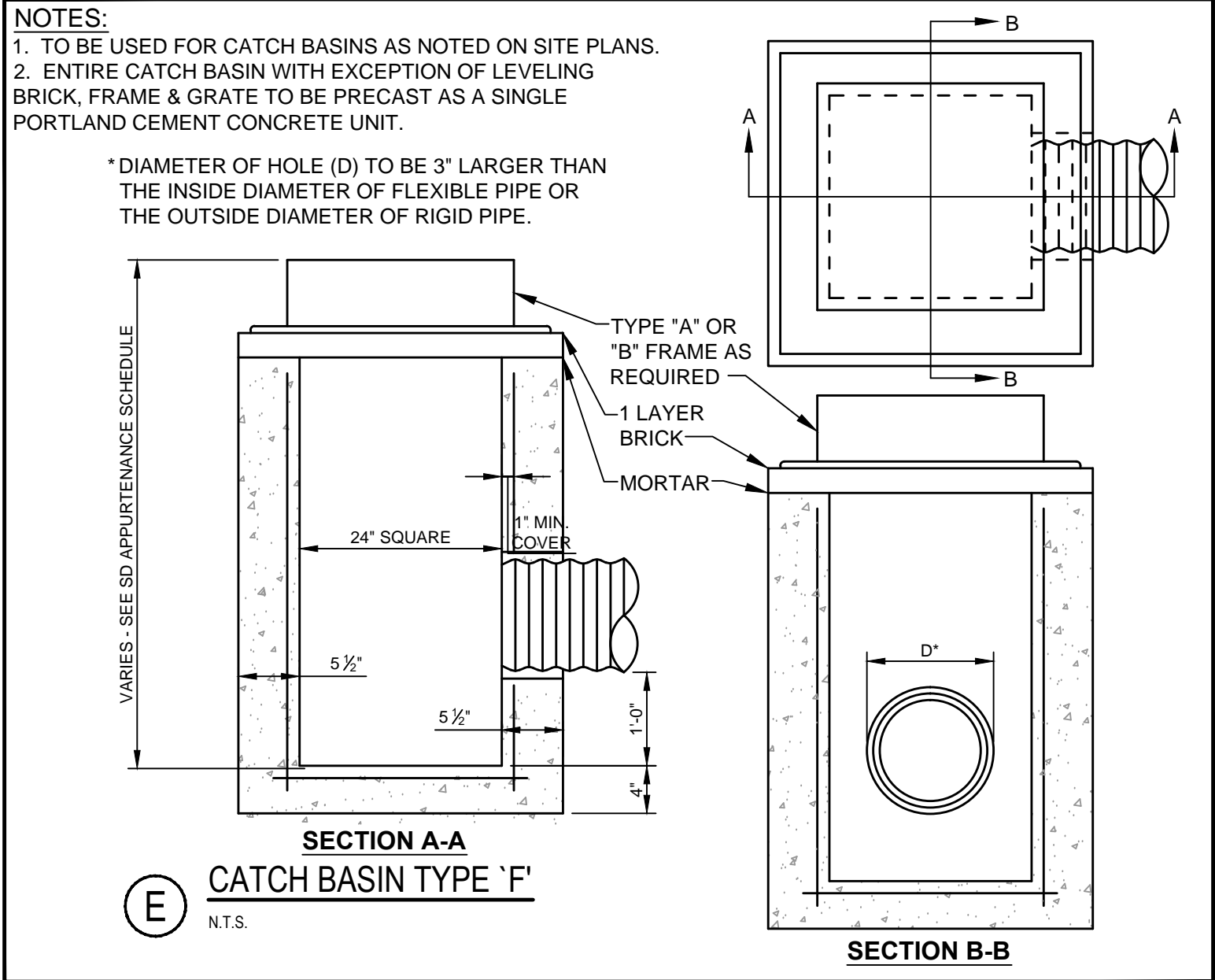
PIPE SIZE	MAXIMUM WIDTH
10\"/>	



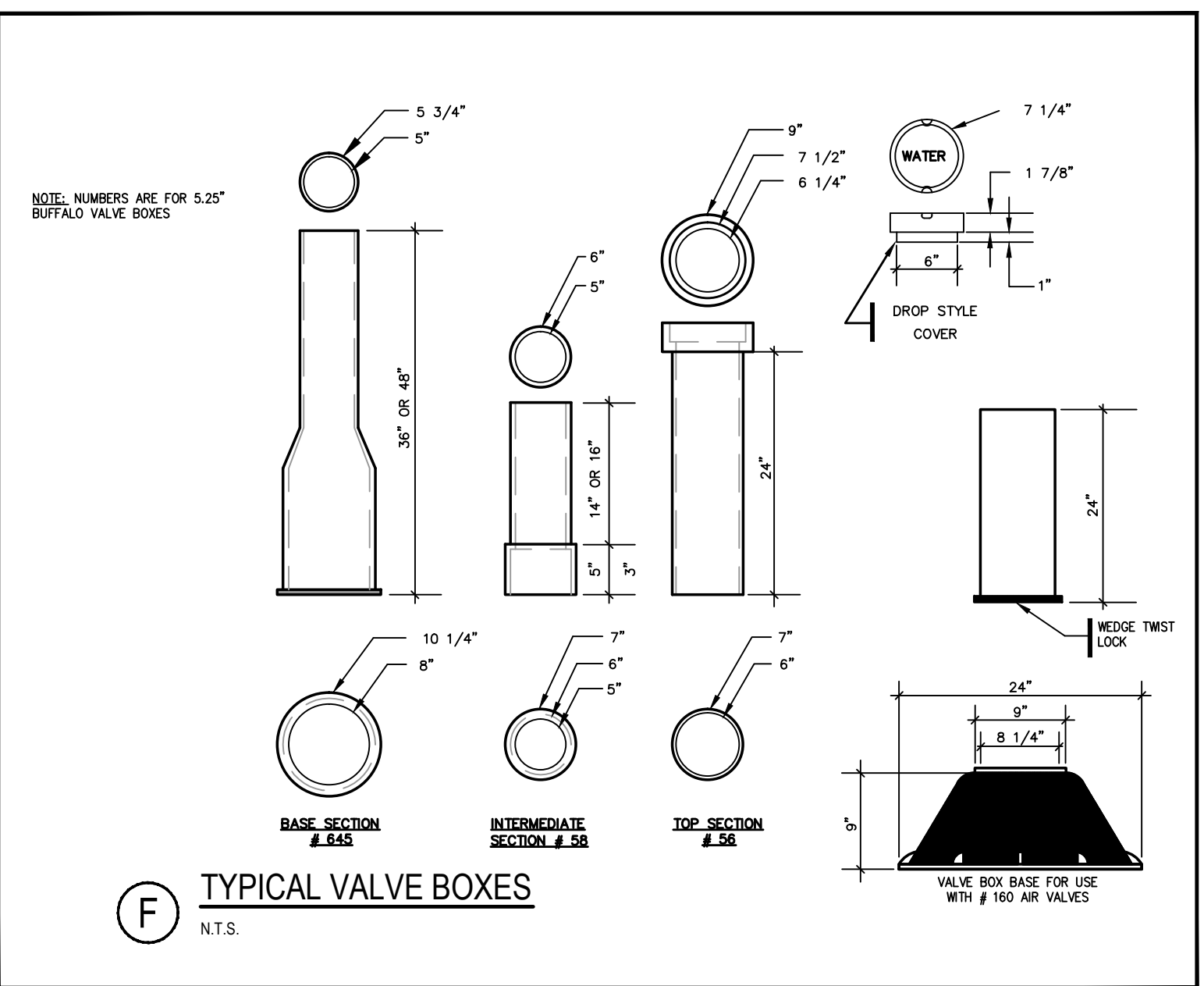
(B) TRANSFORMER PAD
N.T.S.



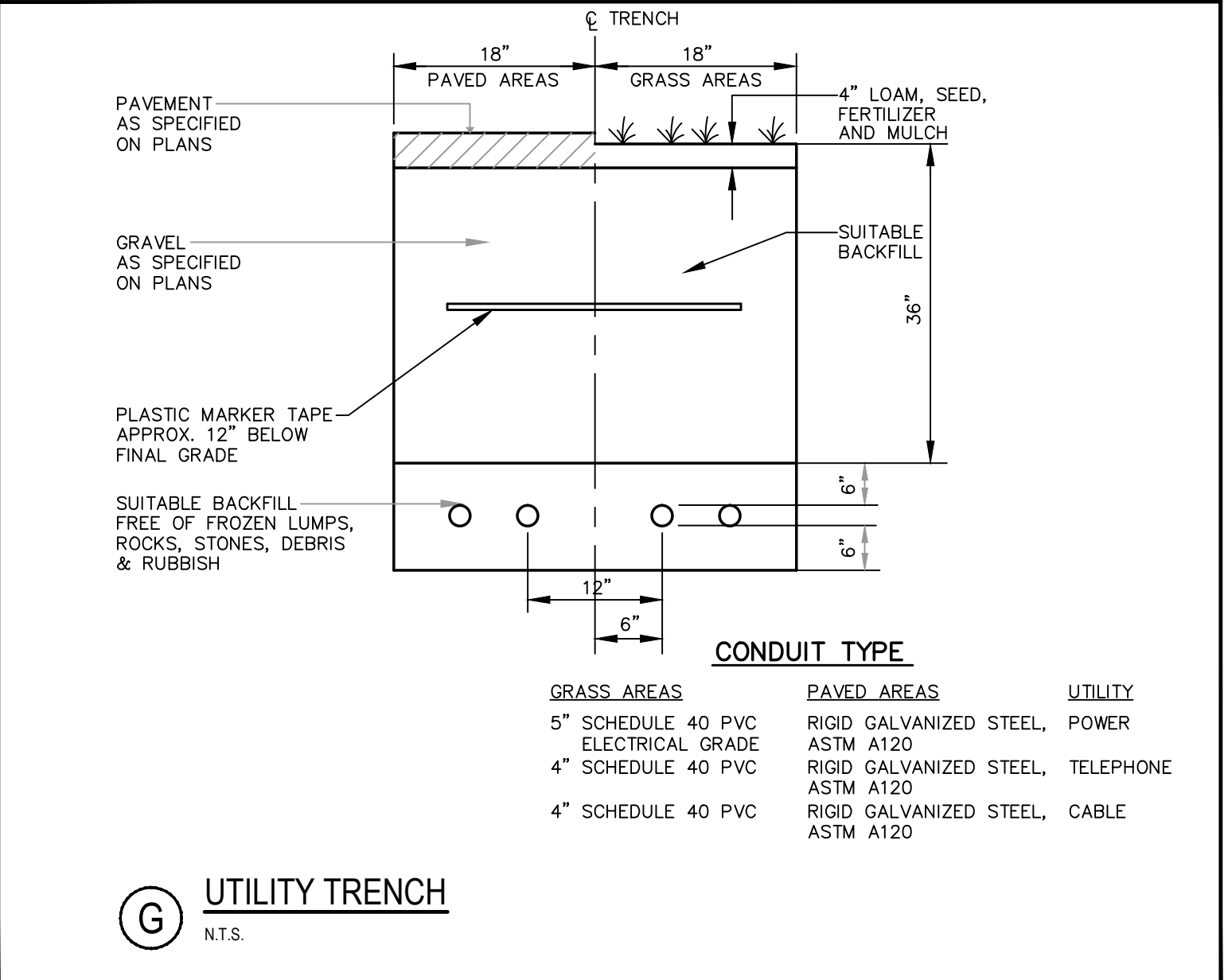
(D) BITUMINOUS WALKWAY DETAIL
N.T.S.



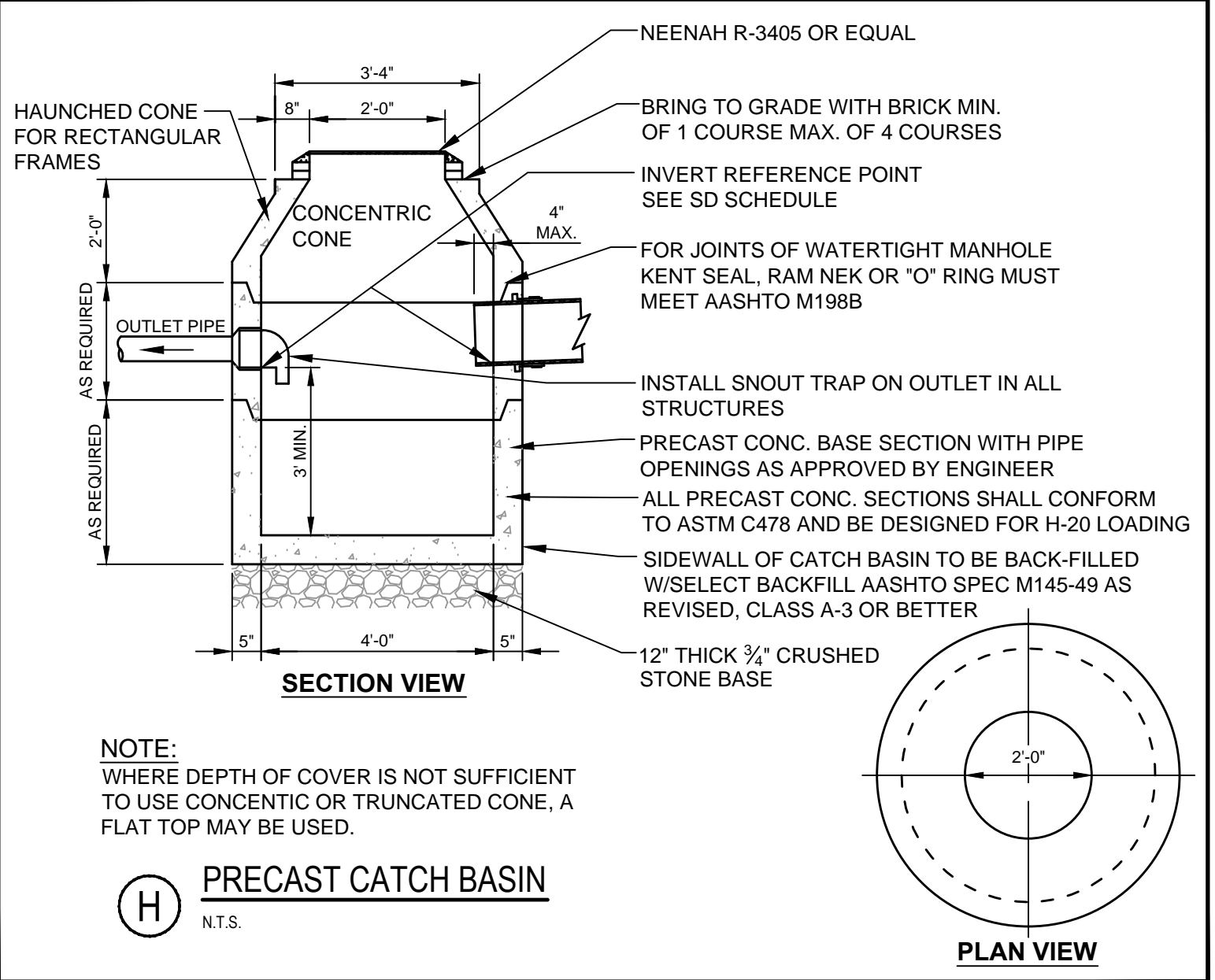
(E) CATCH BASIN TYPE 'F'
N.T.S.



(F) TYPICAL VALVE BOXES
N.T.S.



(G) UTILITY TRENCH
N.T.S.



(H) PRECAST CATCH BASIN
N.T.S.

NOTES:

- CONCRETE: 4,000 PSI AFTER 28 DAYS.
- REINFORCING: PAD-#4'S @ 12\"/>

NOTES:

- TO BE USED FOR CATCH BASINS AS NOTED ON SITE PLANS.
- ENTIRE CATCH BASIN WITH EXCEPTION OF LEVELING BRICK, FRAME & GRATE TO BE PRECAST AS A SINGLE PORTLAND CEMENT CONCRETE UNIT.

NOTES:

- CONCRETE: 4,000 PSI AFTER 28 DAYS.
- REINFORCING: PAD-#4'S @ 12\"/>

PROJECT: SECOND TEE CONDOMINIUM ASSOCIATION BUSINESS PARK EXPANSION - UNIT 2

SHEET TITLE: **SITE AND UTILITY DETAILS**

CLIENT: 1039 RIVERSIDE LLC

PROJECT: STANTEC CONSULTING SERVICES INC. 482 PAYNE ROAD SCARBOROUGH, ME 04074 WWW.STANTEC.COM

DRAWN: DED DATE: FEB 2016

DESIGNED: SRB SCALE: AS NOTED

CHECKED: SRB JOB NO. 195350348

FILE NAME: SP-M168 DETAILS

SHEET: **C-8**