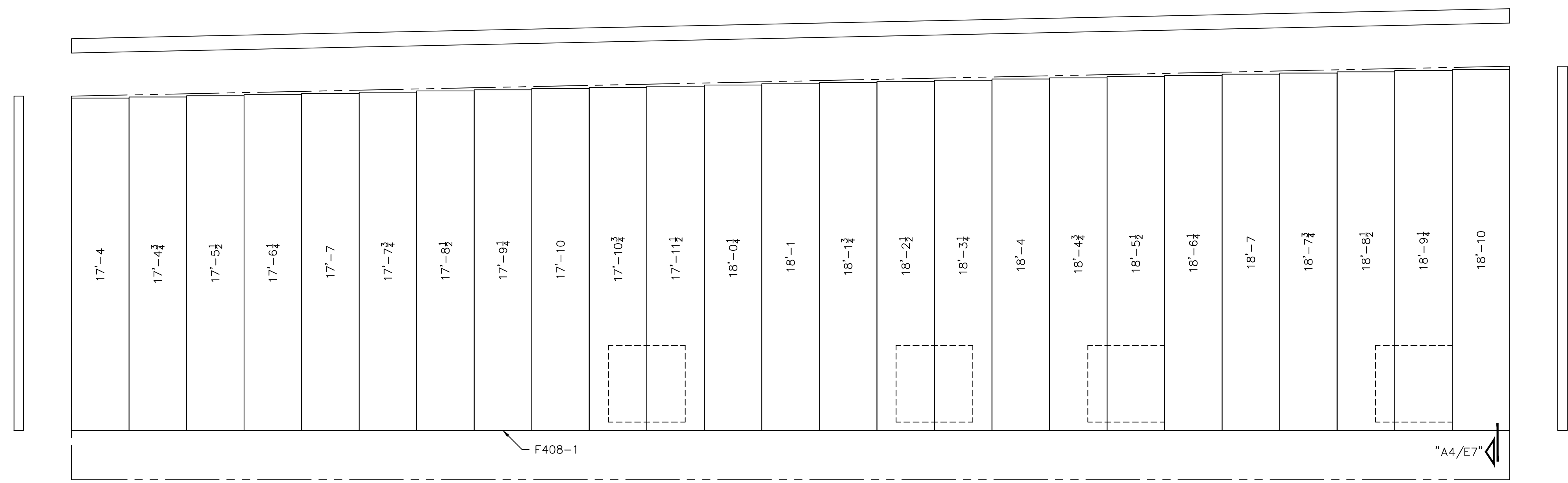
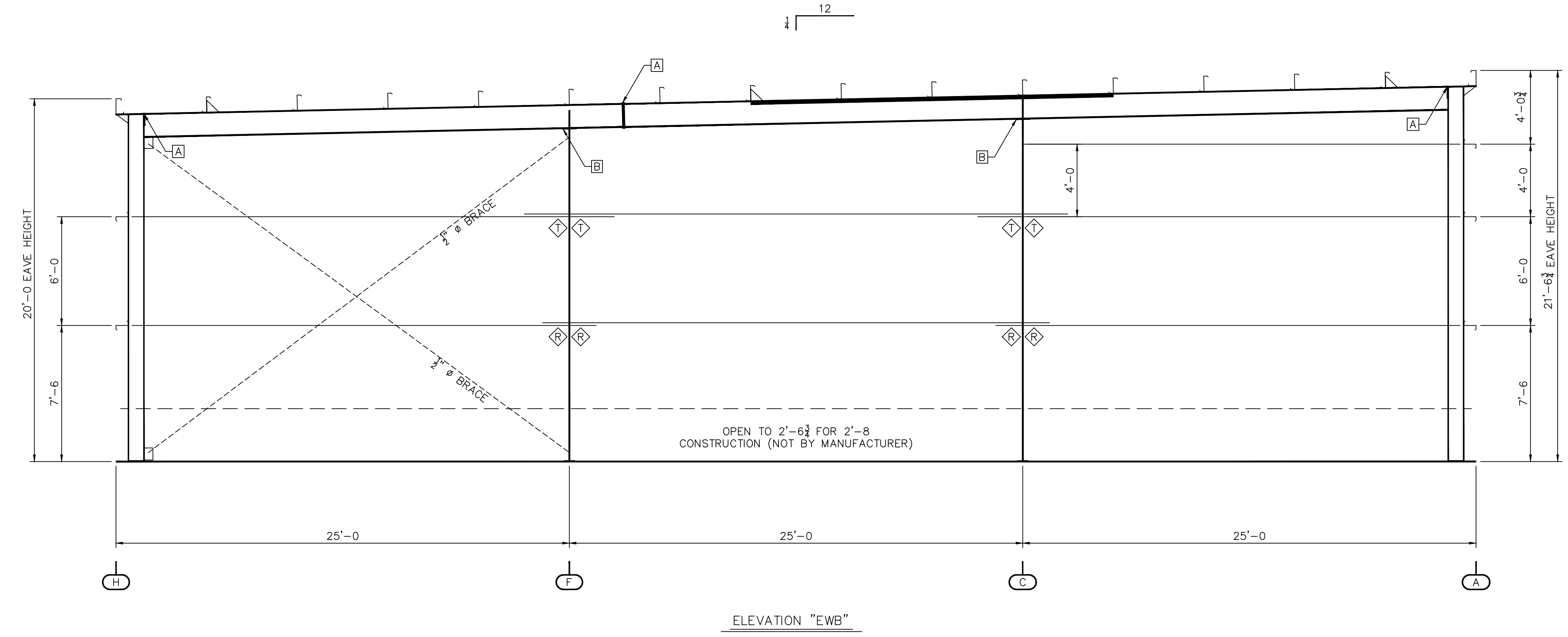


SPLICE BOLT TABLE				
CONN.	QTY.	SIZE	TYPE	HARDENED BEVELED WASHERS
A	(4)	$\frac{3}{4}$ " X 2"	A325 B&N	0
B	(4)	$\frac{1}{2}$ " X $1\frac{1}{4}$ "	A325 B&N	4

* DENOTES: PLATE AT FLANGE BRACE
 CL190 AT 8" PURLINS/GIRTS
 CL191 AT 10" PURLINS/GIRTS
 CL192 AT 12" PURLINS/GIRTS



ZEE SECTION LAP TABLE			
SYMBOL	LAP LENGTH	SYMBOL	LAP LENGTH
	0'-0 $\frac{1}{4}$ "		2'-5 $\frac{3}{4}$ "
	0'-3 $\frac{3}{4}$ "		3'-1 $\frac{3}{4}$ "
	1'-5 $\frac{3}{4}$ "	REFER TO CF01122	

NOTE: GIRTS AND/OR WALL PANELS MAY REQUIRE FIELD CUTTING AT FRAMED OPENINGS, WALK DOORS, WINDOWS, LOUVERS, OPEN AREAS, AND/OR CONSTRUCTION (NOT BY STAR) AREAS.

Revision	Date	Description

STAR BUILDING SYSTEMS
 AN INCO COMPANY
 8600 SOUTH I-35 SERVICE RD.
 OKLAHOMA CITY, OK 73149
 (405) 636-2010

Customer: HARDY POND CONSTRUCTION
 1039 RIVERSIDE LLC
 PORTLAND, ME

Project Name & Location: PORTLAND, ME

Drawing Status:
 Preliminary (Not For Construction)
 For Construction Permit
 For Approval (Not For Construction)
 For Erector Installation

Scale: NOT TO SCALE
 Drawn by:
 Checked by: RRV 3/6/17
 Project Engineer: JMB
 Job Number: 15-B-70494
 Sheet Number: E6 of 8

The engineer whose seal appears hereon is an employee for the manufacturer for the materials described herein. Said seal or certification is limited to the products designed and manufactured by manufacturer only. The undersigned engineer is not the overall engineer of record for this project.

Phillip J. Johnson, P.E.
 Maine P.E. 11018
 DR511C EN512A

Mar 06, 2017

