

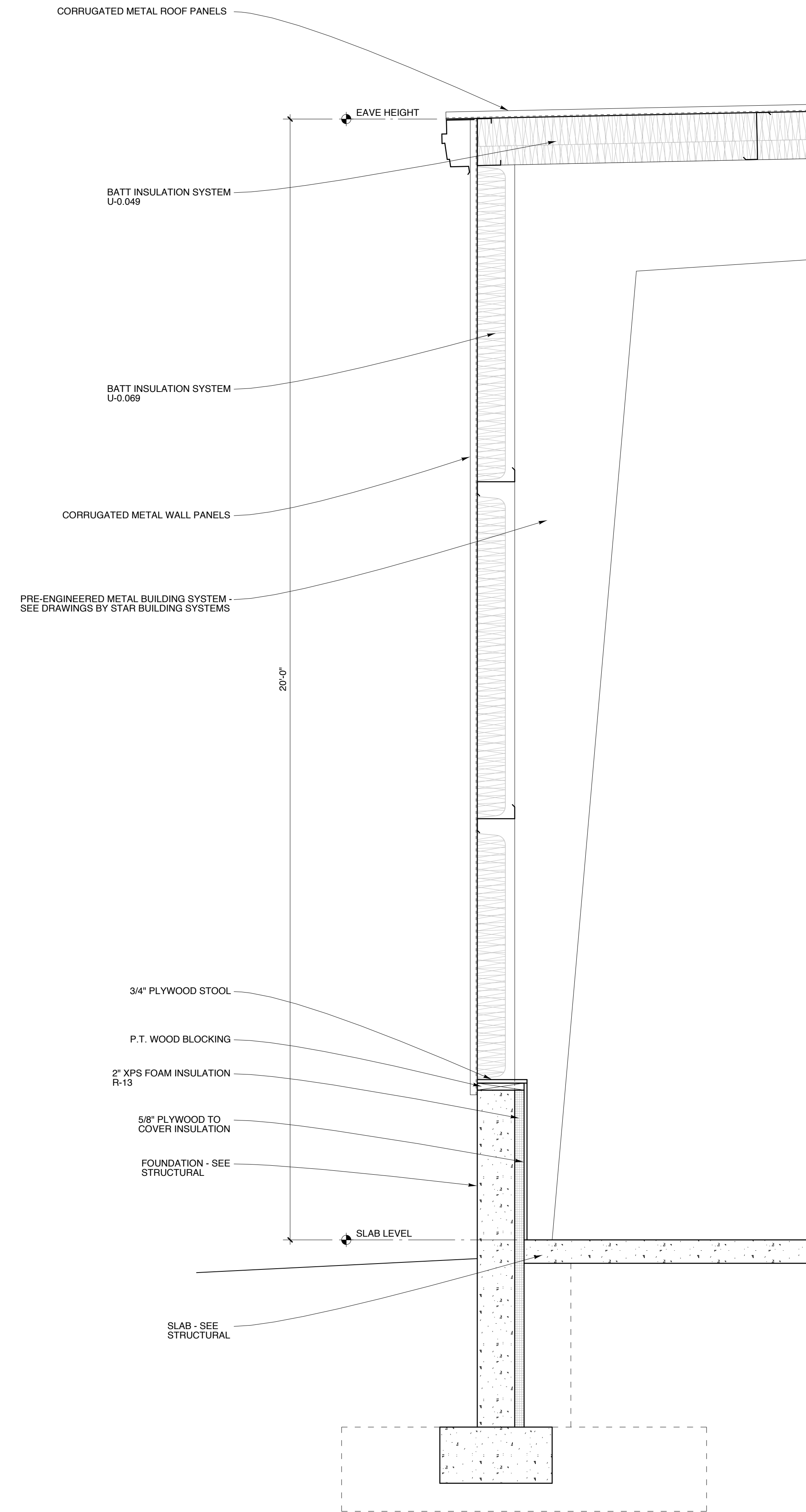
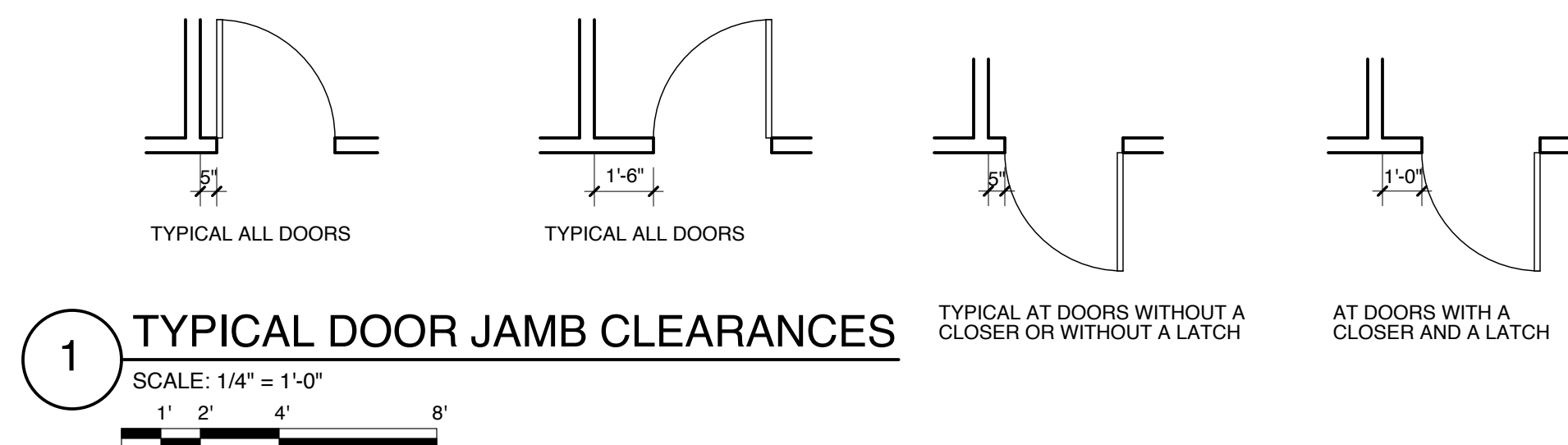
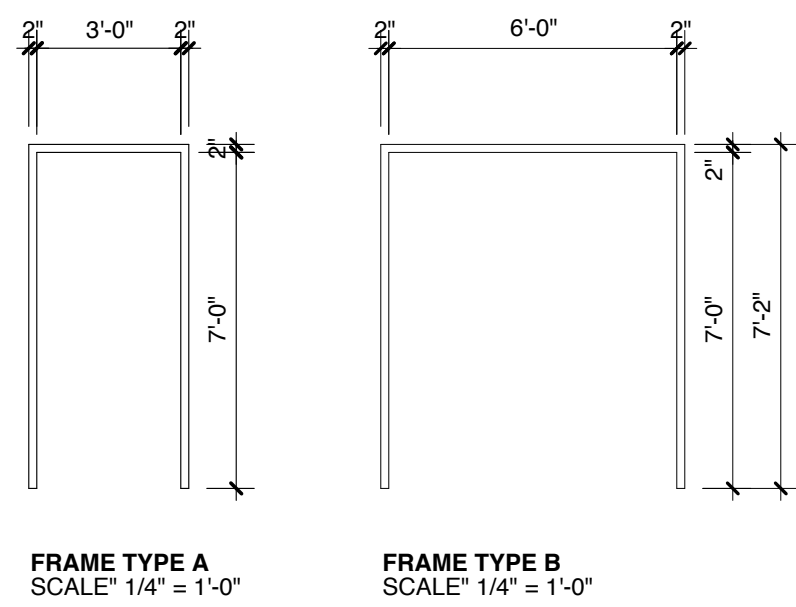
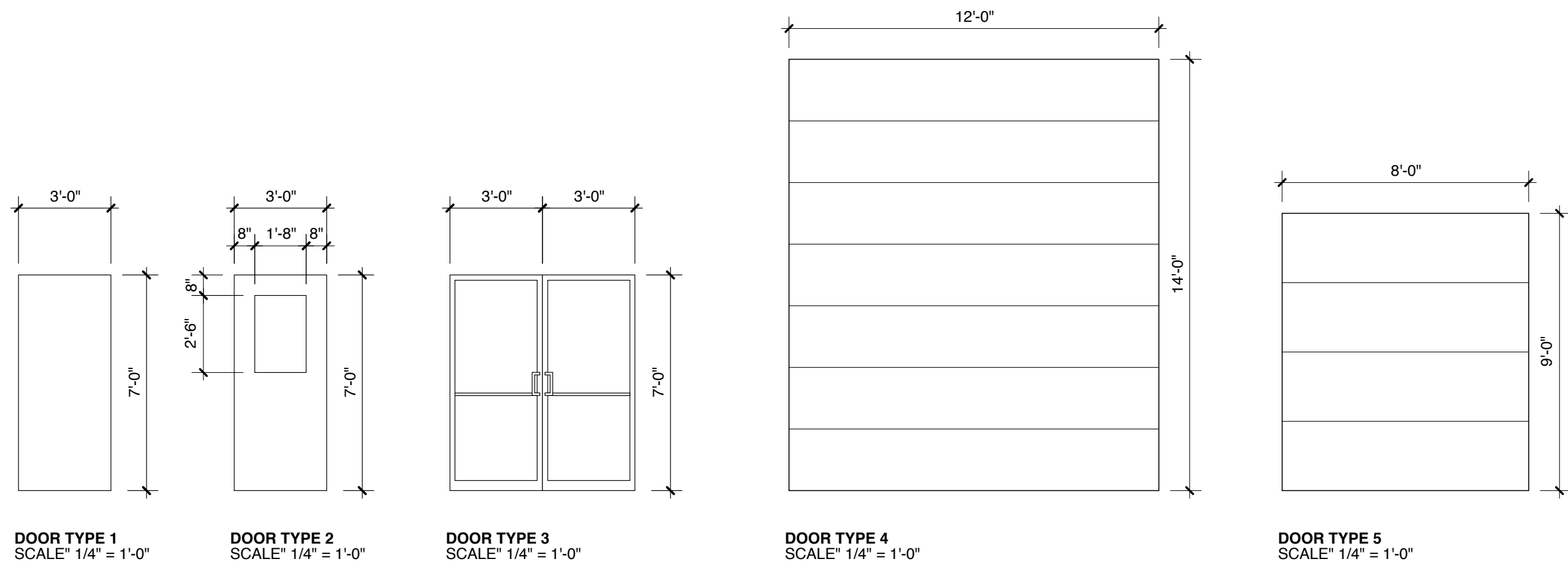
DOOR SCHEDULE												
NO.	DOOR TYPE	MAT.	FIN.	WIDTH	HEIGHT	THICK.	FRAME TYPE	MAT.	FIN.	HDWR.	FIRE RATING	NOTES
101	1	WD-SC	NAT	3'-0"	7'-0"	1 3/4"	A	HM	PT	HW-1	--	
102	1	WD-SC	NAT	3'-0"	7'-0"	1 3/4"	A	HM	PT	HW-1	--	
103	1	WD-SC	NAT	3'-0"	7'-0"	1 3/4"	A	HM	PT	HW-1	--	
104	1	WD-SC	NAT	3'-0"	7'-0"	1 3/4"	A	HM	PT	HW-2	--	
105	1	WD-SC	NAT	3'-0"	7'-0"	1 3/4"	A	HM	PT	HW-3	--	
106	2	HM	PT	3'-0"	7'-0"	1 3/4"	A	HM	PT	HW-4	--	1
107	3	ALUM	FF	PR 3'-0"	7'-0"	1 3/4"	B	ALUM	FF	HW-5	--	2
108	2	HM	PT	3'-0"	7'-0"	1 3/4"	A	HM	PT	HW-4	--	1
109	4	--	FF	12'-0"	14'-0"	1 3/4"	--	--	--	--	--	3
110	5	--	FF	8'-0"	9'-0"	1 3/4"	--	--	--	--	--	3

MATERIAL/FINISH ABBREVIATIONS
ALUM ALUMINUM
FF FACTORY FINISH
NAT NATURAL FINISH
PT PAINT
SC SOLID CORE
WD WOOD

HARDWARE
HW-1 3 HINGES
1 LOCKSET
1 STOP
HW-2 3 HINGES
1 PASSAGE SET
1 STOP
HW-3 3 HINGES
1 PRIVACY SET
1 STOP

NOTES
1. INSULATED H.M. DOOR.
2. THERMAL DOOR AND FRAME.
3. OVERHEAD DOOR.

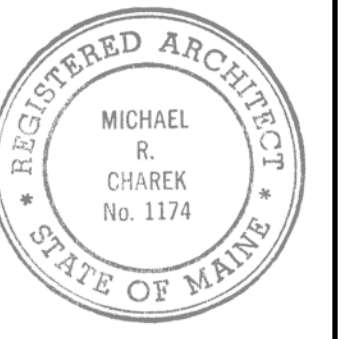
HW-4 3 HINGES
1 LOCKSET
1 THRESHOLD
1 SET WEATHERSTRIP
HW-5 6 HINGES
2 EXIT DEVICES
2 CLOSERS
1 THRESHOLD
1 SET WEATHERSTRIP



2 WALL SECTION
SCALE: 3/4" = 1'-0"
4' 8' 1'-4 2'-8"

Michael Charek Architects

25 Hartley Street
Portland, Maine 04103
(207) 761-0656



**Unit #1
Second Tee Business Park**

1077 Riverside Street
Portland, ME 04103

Title

DOOR SCHEDULE AND WALL SECTION

Scale: AS NOTED

Date: 4/17/17

Revisions

Sheet

A5