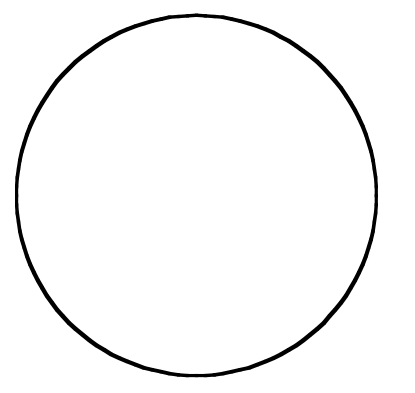


DATE	
REV.	
DESCRIPTION	



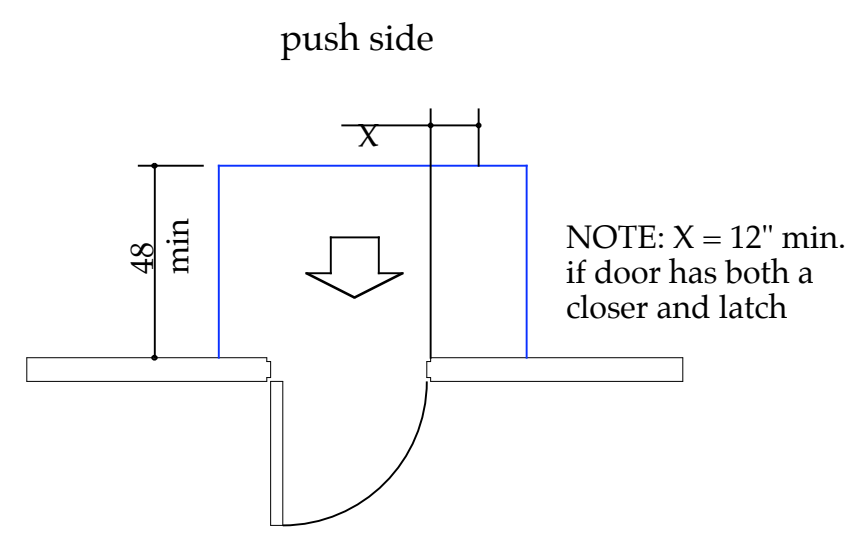
John W. Einsiedler, R.A.
ARCHITECTURE
 148 Soe Road Kennebunk, Maine 04043
 Phone: (207) 838-9795 Fax: (207) 838-9796
 www.patco-construction.com
PATCO CONSTRUCTION INC.
 1293 MAIN STREET SANFORD, ME 04073
 TEL: (207) 324-5574 FAX: (207) 324-1643
 www.patco-construction.com

PROPOSED BUILDING FOR:
BIOPROCESSING
 PORTLAND, MAINE
DETAILS

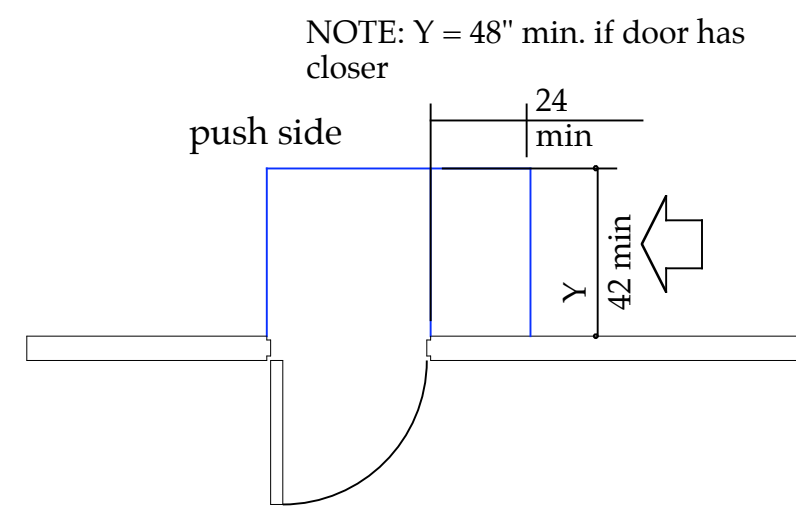
DATE:	Oct. 26, 2005
SCALE:	AS SHOWN
DRAWN BY:	J.G./J.W.E.
CHECKED BY:	
JOB NUMBER:	2695
SHEET	

A-3

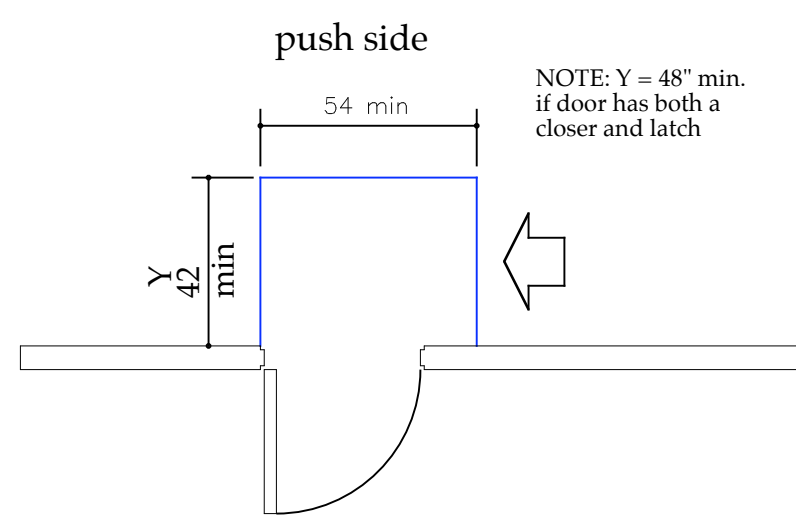
PUSH SIDE



1. Front Approach - Swinging Door

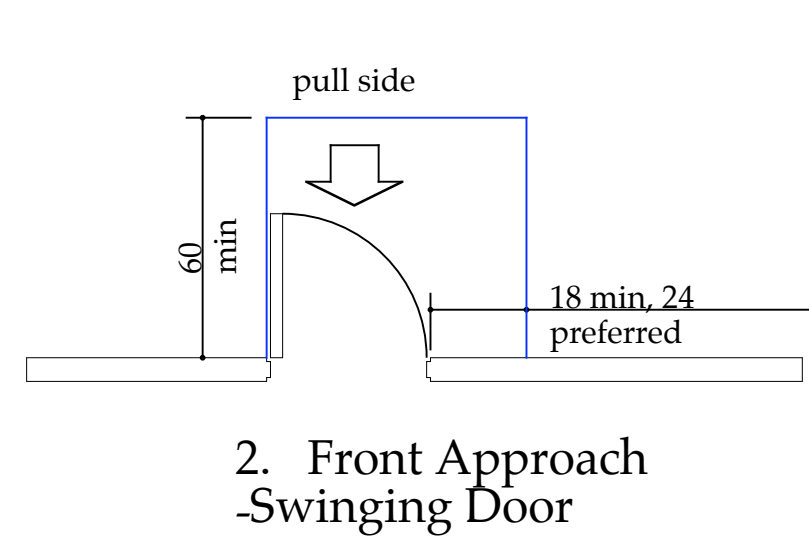


3. Latch Side Approach Swinging Door

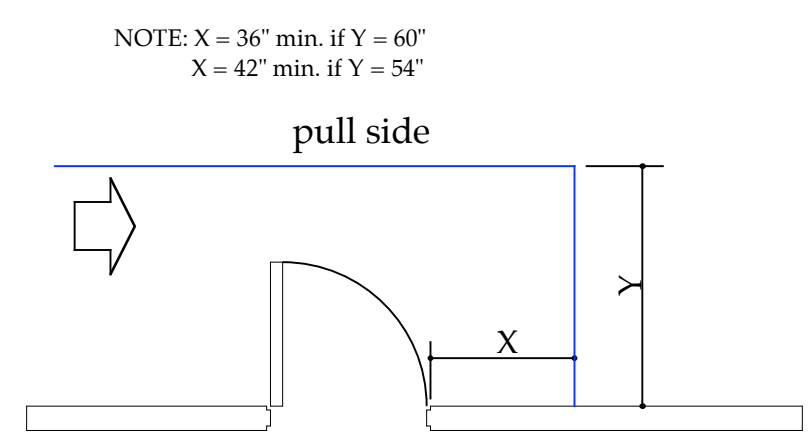


5. Side Approach - Swinging Door

PULL SIDE

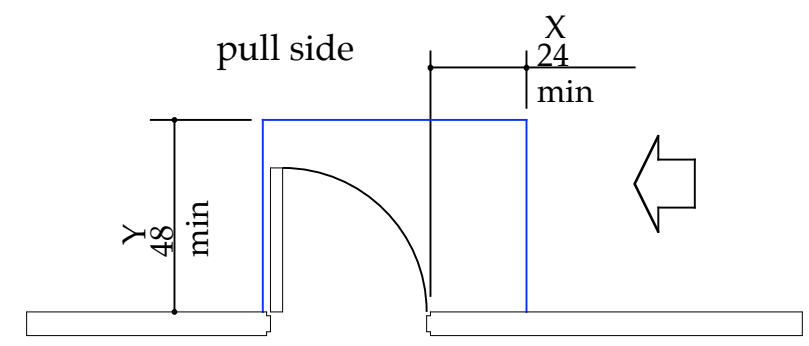


2. Front Approach - Swinging Door



4. Hinge Side Approach - Swinging Door

NOTE: Y = 54 min. if door has closer



6. Latch Side Approach Swinging Door

ALARM REQUIREMENTS

Note: tie alarm to Sprinkler system with flow switch.

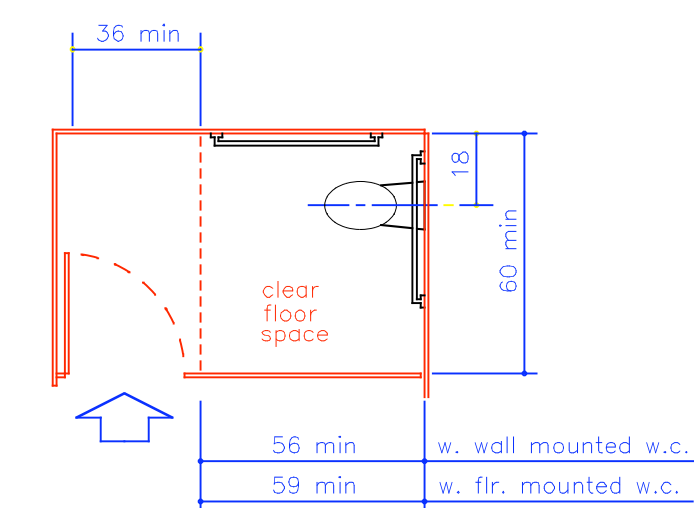
4.28 Alarms.

4.28.1 General. Alarm systems required to be accessible by 4.1 shall comply with 4.28. At a minimum, visual signal appliances shall be provided in buildings and facilities in each of the following areas: restrooms and any other general usage areas (e.g., meeting rooms), hallways, lobbies, and any other area for common use.

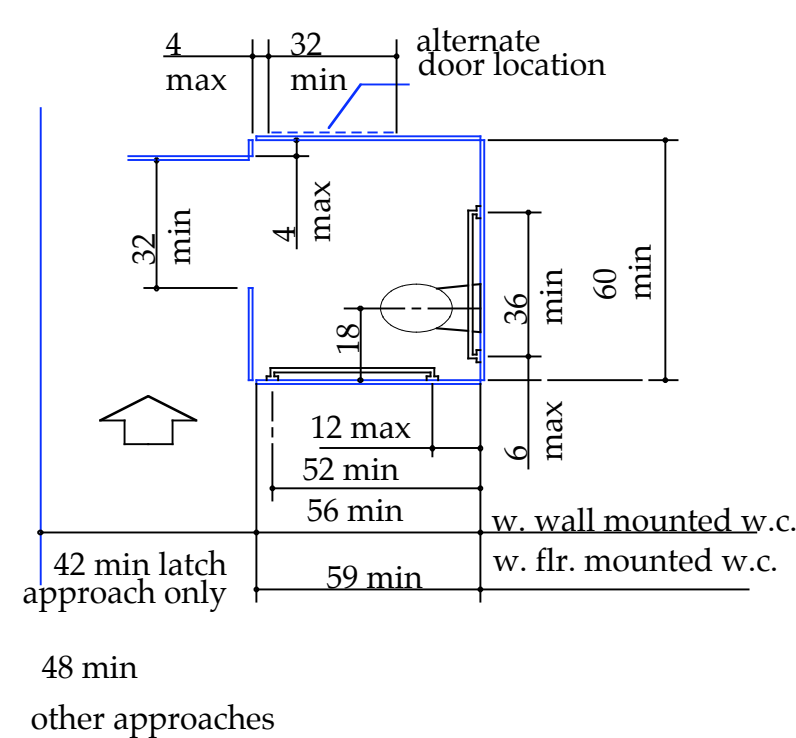
4.28.2 Audible Alarms. Audible emergency alarms shall produce a sound that exceeds the prevailing equivalent sound level in the room or space by at least 15 dBA or exceeds any maximum sound level with a duration of 60 seconds by 5 dBA, whichever is louder. Sound levels for alarm signals shall not exceed 120 dBA.

4.28.3 Visual Alarms. Visual alarm signal appliances shall be integrated into the building or facility alarm system. If single station audible alarms are provided then single station visual alarm signals shall be provided. Visual alarm signals shall have the following minimum photometric and location features:

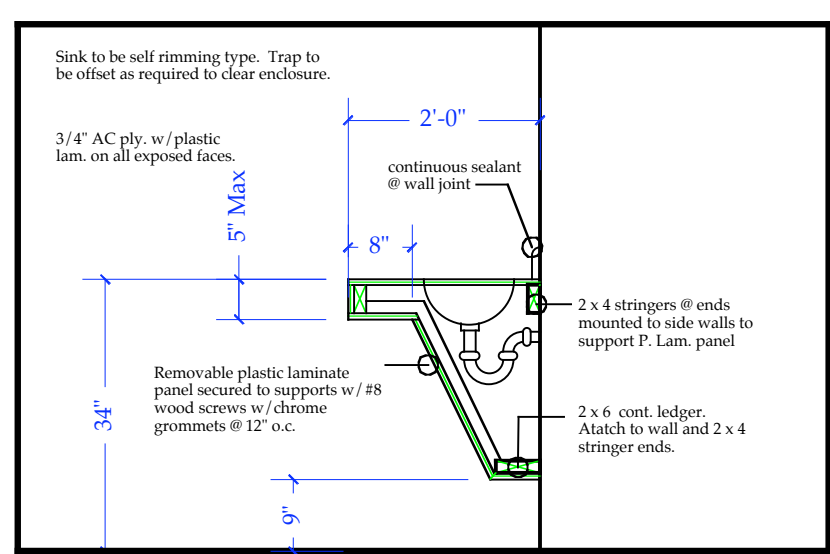
- (1) The lamp shall be a xenon strobe type or equivalent.
- (2) The color shall be clear or nominal white (i.e., unfiltered or clear filtered white light).
- (3) The maximum pulse duration shall be **twentieths of one second (0.2 sec)** with a **maximum duty cycle of 40 percent**. The pulse duration is defined as the time interval between initial and final points of 10 percent of maximum signal.
- (4) The intensity shall be a **minimum of 75 candela**.
- (5) The flash rate shall be a **minimum of 1 Hz and a maximum of 3 Hz**.
- (6) The appliance shall be placed 80 in (2030 mm) above the highest floor level within the space or 6 in (152 mm) below the ceiling, whichever is lower.
- (7) In general, no place in any room or space required to have a visual signal appliance shall be more than 50 ft (15 m) from the signal (in the horizontal plane). In large rooms and spaces exceeding 100 ft (30 m) across, without obstructions 6 ft (2 m) above the finish floor, such as auditoriums, devices may be placed around the perimeter, spaced a maximum 100 ft (30 m) apart, in lieu of suspending appliances from the ceiling.
- (8) No place in common corridors or hallways in which visual alarm signalling appliances are required shall be more than 50 ft (15 m) from the signal.



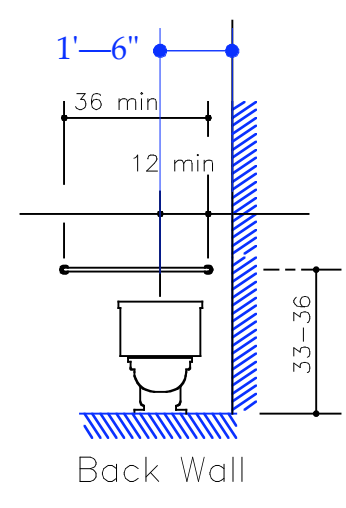
Standard Stall (end of row)



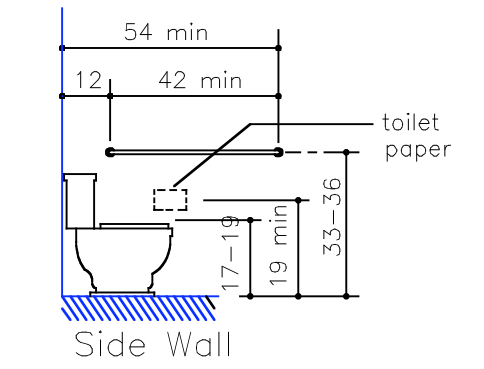
Standard Stall



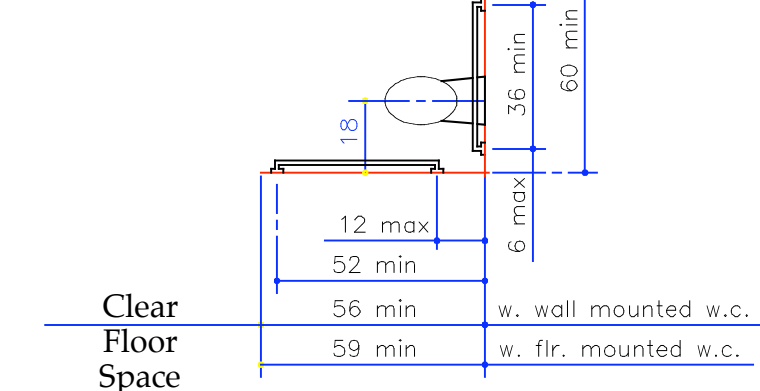
Accessible Sink Detail - Alternate Wall Hung
 Scale: 1/2" = 1'-0"



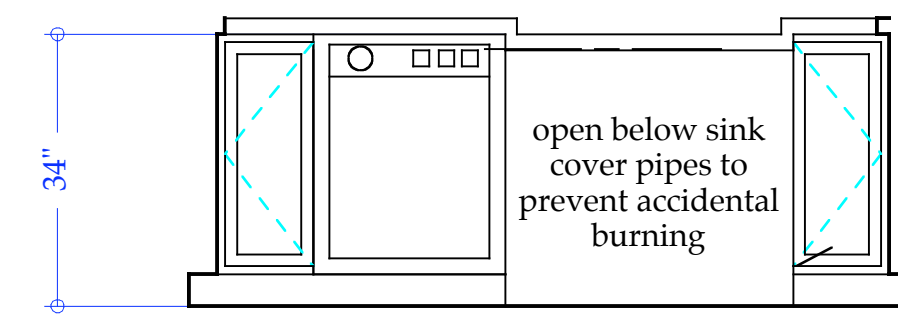
Grab Bars and Water Closets



Grab Bars and Water Closets



Standard Grab Bars and Minimum Clear Floor Space



Partial Kitchen Elev. at Sink
 Scale: 1/4" = 1'-0"

4.30.1* General. Signage required to be accessible by 4.1 shall comply with the applicable provisions of 4.30.

4.30.2* Character Proportion. Letters and numbers on signs shall have a width to height ratio between 3:5 and 1:1 and a stroke width to height ratio between 1:5 and 1:10.

4.30.3 Character Height. Characters and numbers on signs shall be sized according to the viewing distance from which they are to be read. The minimum height is measured using an upper case X. Lower case characters are permitted.

Height Above Finished Floor
 Minimum Character Height Suspended or Projected Overhead in compliance with 4.4.2
 3 in (75 mm) minimum

4.30.4 Raised and Brailled Characters and Pictorial Symbol Signs (Pictograms). Letters and numerals shall be raised 1/32 in (0.79 mm) minimum, upper case, sans serif or simple serif type and shall be accompanied with Grade 2 Braille. Raised characters shall be at least 5/8 in (16 mm) high, but no higher than 2 in (50 mm). Pictograms shall be accompanied by the equivalent verbal description placed directly below the pictogram. The border dimension of the pictogram shall be 6 in (152 mm) minimum in height.

4.30.5* Finish and Contrast. The characters and background of signs shall be eggshell, matte, or other nonglare finish. Characters and symbols shall contrast with their background either light characters on a dark background or dark characters on a light background.

4.30.6 Mounting Location and Height. Where permanent identification is provided for rooms and spaces, signs shall be installed on the wall adjacent to the latch side of the door. Where there is no wall space to the latch side of the door, including at double leaf doors, signs shall be placed on the nearest adjacent wall. Mounting height shall be 60 in (1525 mm) above the finish floor to the centerline of the sign. Mounting location for such signage shall be so that a person may approach within 3 in (76 mm) of signage without encountering protruding objects or standing within the swing of a door.

4.30.7* Symbols of Accessibility.

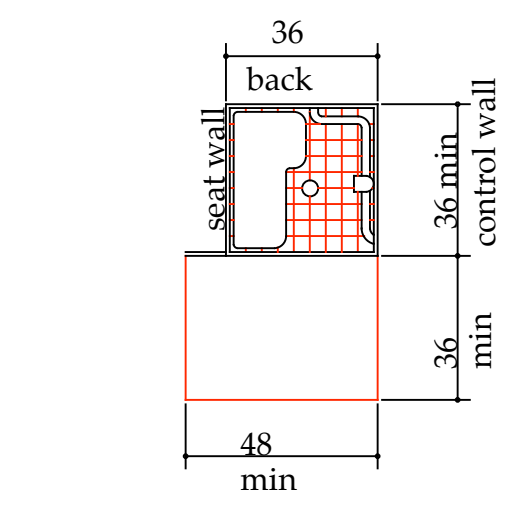
- (1) Facilities and elements required to be identified as accessible by 4.1 shall use the international symbol of accessibility. The symbol shall be displayed as shown in Fig. 43(a) and (b).



(a) Proportions International Symbol of Accessibility



(b) Display Conditions International Symbol of Accessibility



36" by 36" Stall Shower Size and Clearances

4.18 Urinals.

4.18.1 General. Accessible urinals shall comply with 4.18.

4.18.2 Height. Urinals shall be stall-type or wall-hung with an elongated rim at a maximum of 17 in (430 mm) above the finish floor.

4.18.3 Clear Floor Space. A clear floor space 30 in by 48 in (760 mm by 1220 mm) shall be provided in front of urinals to allow forward approach. This clear space shall adjoin or overlap an accessible route and shall comply with 4.2.4. Urinal shields that do not extend beyond the front edge of the urinal rim may be provided with 29 in (735 mm) clearance between them.

4.18.4 Flush Controls. Flush controls shall be hand operated or automatic, and shall comply with 4.27.4, and shall be mounted no more than 44 in (1120 mm) above the finish floor.

Locate Vertical Van Accessible Parking Sign Here per ADA

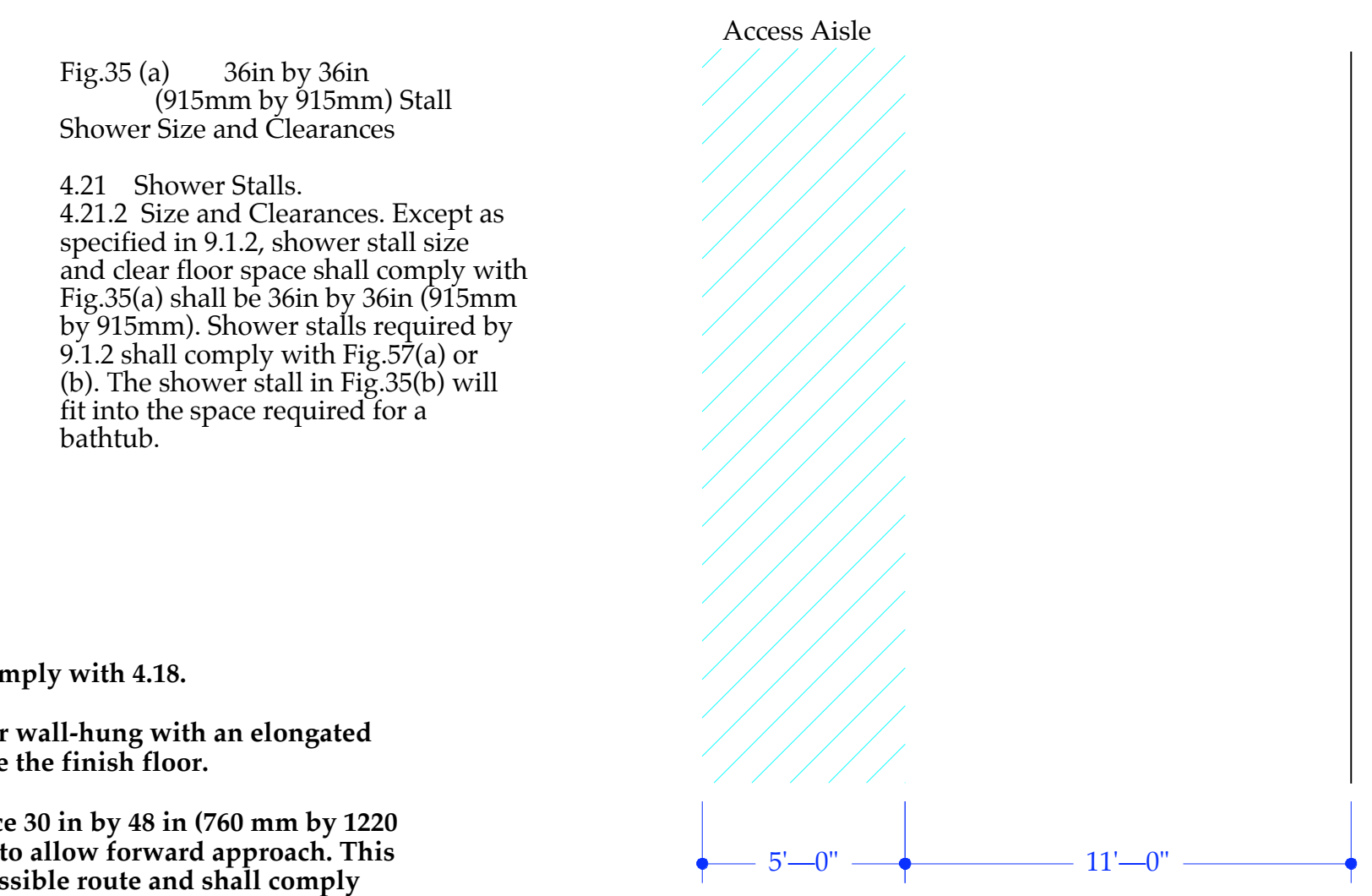


Fig.35 (a) 36in by 36in (915mm by 915mm) Stall Shower Size and Clearances

4.21 Shower Stalls.
 4.21.2 Size and Clearances. Except as specified in 9.1.2, shower stall size and clear floor space shall comply with Fig.35(a) shall be 36in by 36in (915mm by 915mm). Shower stalls required by 9.1.2 shall comply with Fig.57(a) or (b). The shower stall in Fig.35(b) will fit into the space required for a bathtub.

Scale: 1/4" = 1'-0"
 NOTE: Number of parking spaces varies. MIN. req. is 1 Van accessible

- GENERAL NOTES:**
1. Parking and accessible route to be constructed of a firm, stable, slip resistant surface per the ADA Accessibility Guidelines - Section 4.5.1. Parking and route shall be clearly delineated with signage
 2. Accessible parking to be located closest to entrance; see Site Plan prepared by others.