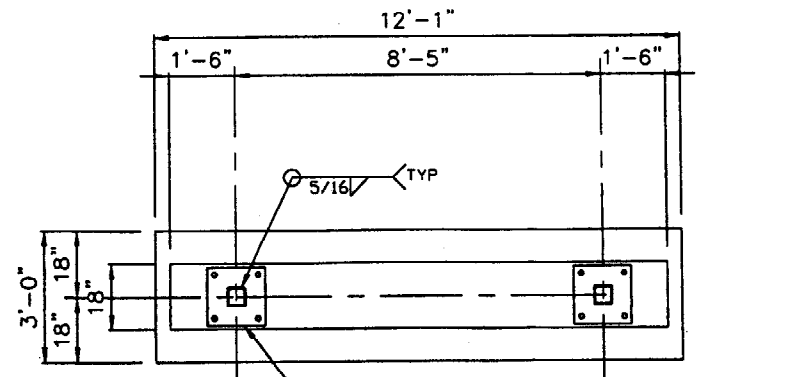
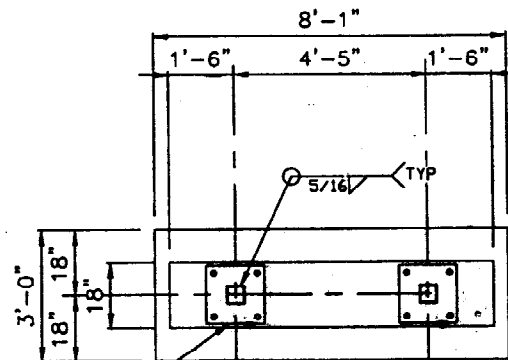


TYP. SIGN "A" ELEVATION

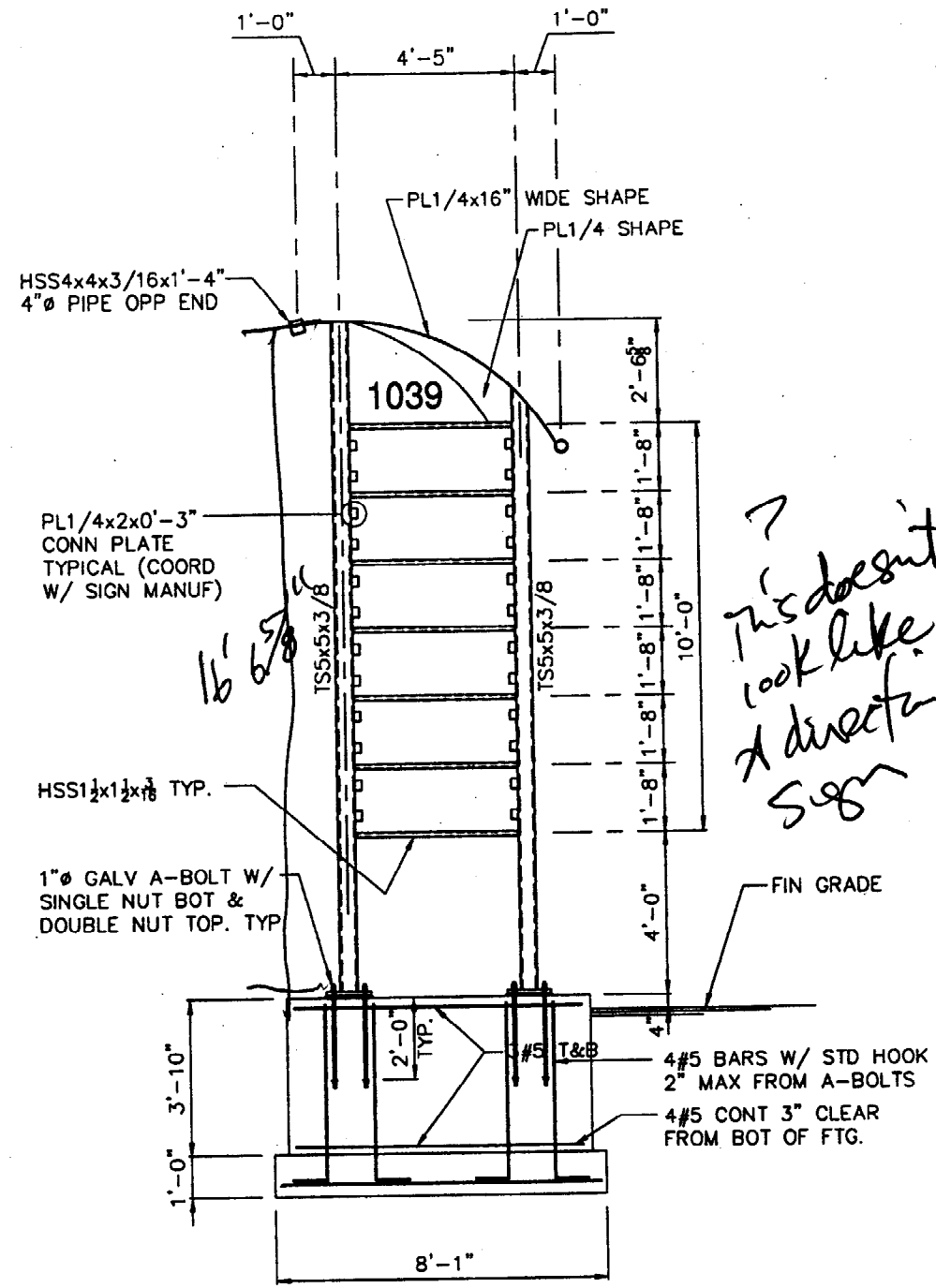
NOTES: 1. ALL CONNECTIONS SHALL BE WELDED USING 3/16" FILLET WELD EITHER CONTINUOUS OR ALL AROUND UNO.



PLAN VIEW - "A"



PLAN VIEW - "B"



TYP. SIGN "B" ELEVATION

NOTES: 1. ALL CONNECTIONS SHALL BE WELDED USING 3/16" FILLET WELD EITHER CONTINUOUS OR ALL AROUND UNO.

This doesn't look like a direct sign

$8.5 \times 10' = 85 \#$

*table 2.12
70# max for multi font bolds*

$4.5 \times 10 = 45 \#$

L & L STRUCTURAL ENGINEERING SERVICES, INC.
 SIX O STREET
 SOUTH PORTLAND, MAINE 04106
 PHONE: (207) 767-4830
 FAX: (207) 799-5432
 EMAIL: mark.lesure@lleson.net

REV.	DATE	DESCRIPTION

designed by: ML
 drawn by: ML
 checked by: PL
 scale: NOTED
 date: JUNE 12, 2003
 part name: SIGN 12, 2003
 project #: 23204

1039 RIVERSIDE STREET
 PORTLAND, MAINE

SIGN SUPPORT FRAMING & DETAILS

S1

