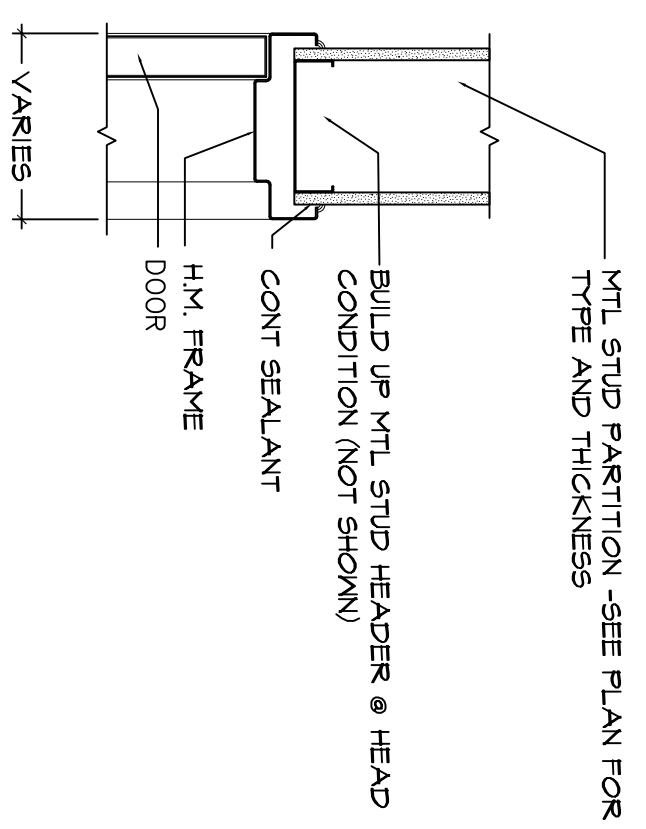


INTERIOR H.M. FRAME DETAILS



5 H.M. FRAME HEAD & JAMB @ CFMF
1/2" x 1-0"

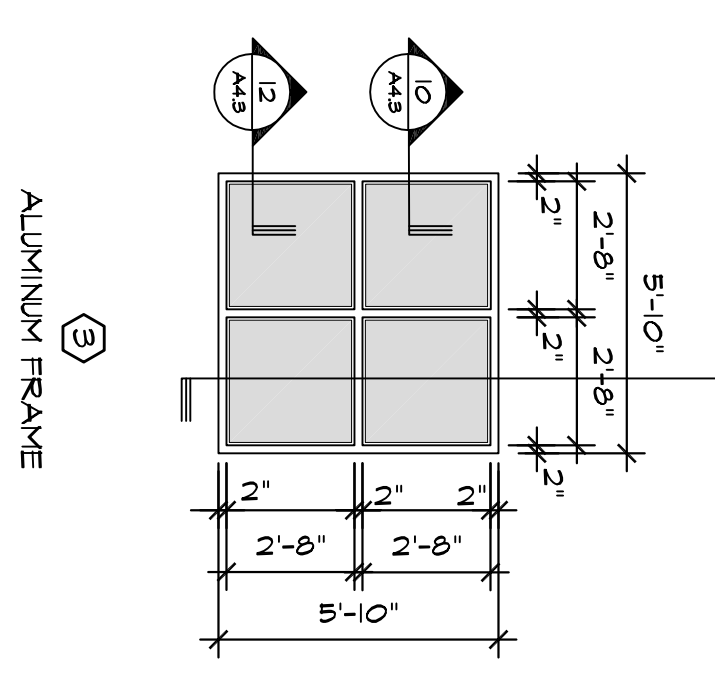
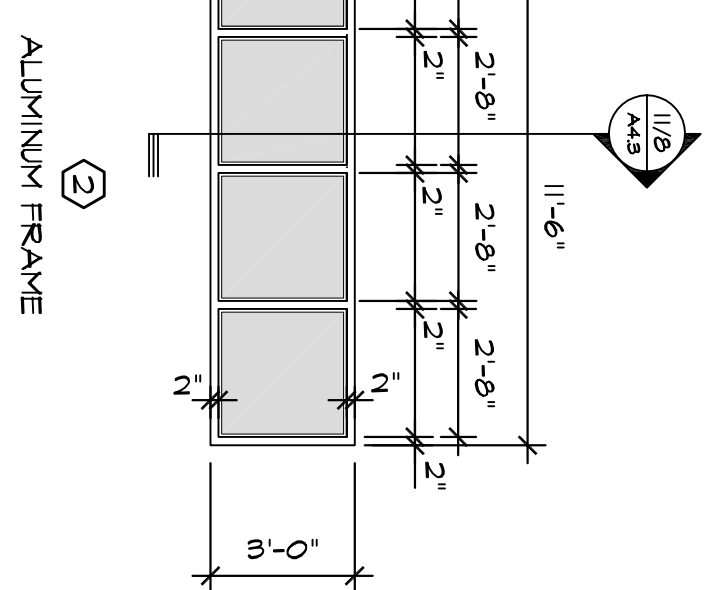
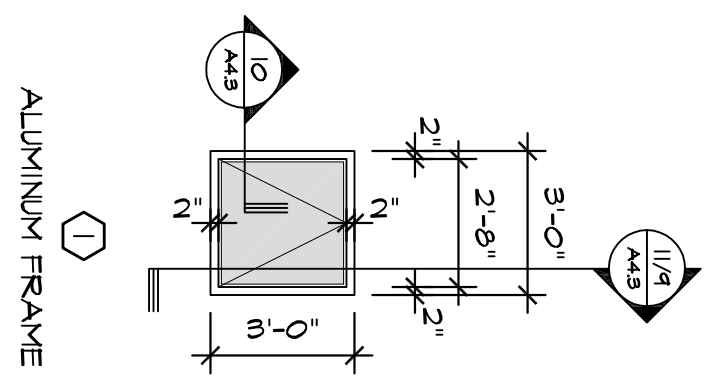
4 NOT USED

DOOR AND FRAME SCHEDULE

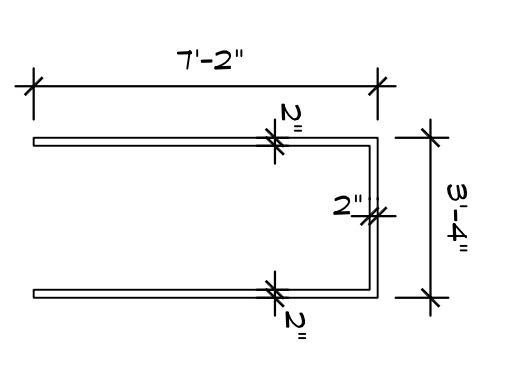
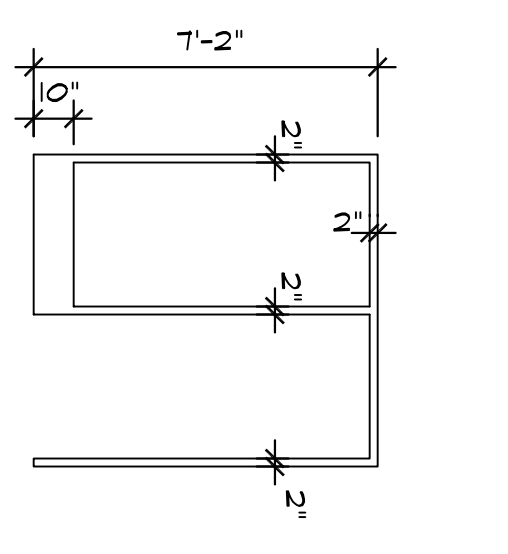
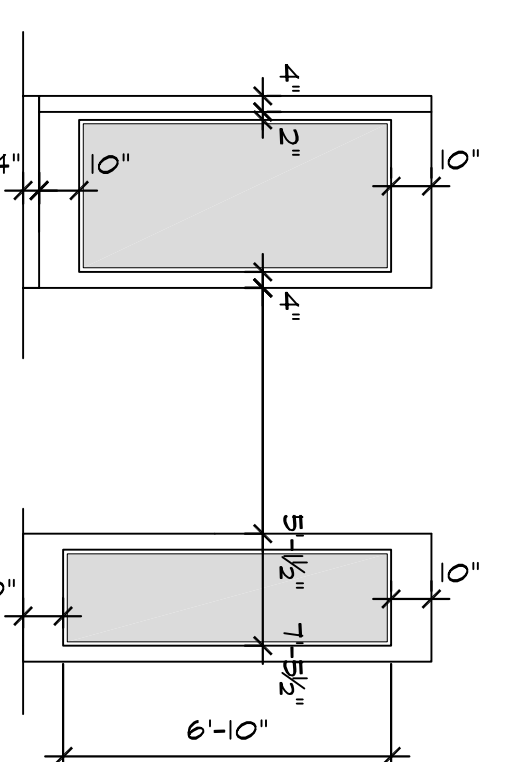
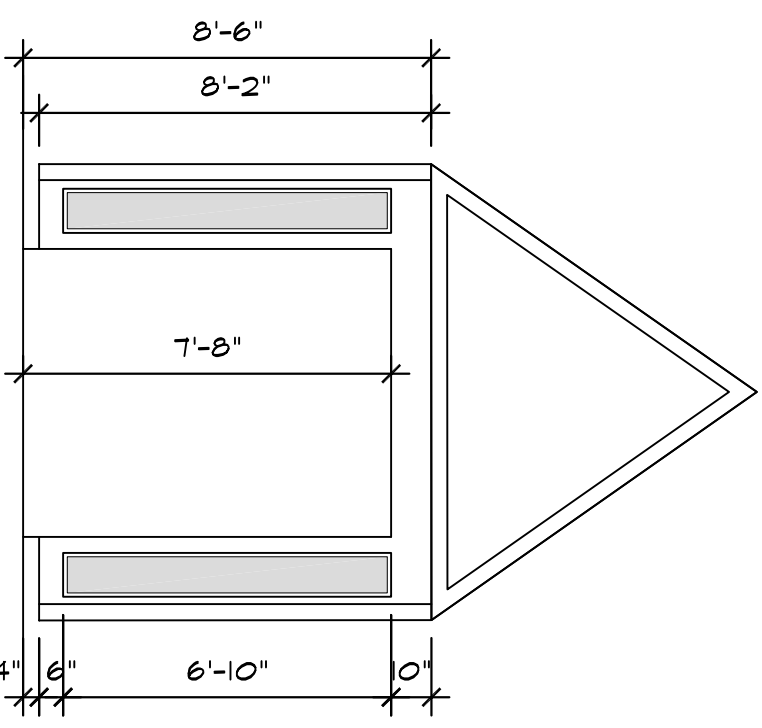
Number	DOOR			FRAME			FIRE RATING	HDNR TYPE	NOTES	
	Type	WD	HGT	Type	HEAD	JAMB				SILL
101.1	1	6-0	7-0	1	---	---	---	---	1	STOREFRONT ASSEMBLY
101.2	1	6-0	7-0	1	---	---	---	---	2	STOREFRONT ASSEMBLY
102.1	6	3-0	7-0	5	7/A4.3	146/A4.3	---	---	3	STOREFRONT ASSEMBLY
103.1	4	3-0	7-0	5	5/A4.2	5/A4.2	---	---	3	2 HR. PARTITION
105.1	4	3-0	7-0	5	5/A4.2	5/A4.2	---	---	1	
106.1	5	3-0	7-0	5	5/A4.2	5/A4.2	---	---	1	
106.2	7	3-0	7-0	5	5/A4.2	5/A4.2	---	---	6	2 HR. PARTITION
107.1	4	3-0	7-0	5	5/A4.2	5/A4.2	---	---	7	
108.1	4	3-0	7-0	5	5/A4.2	5/A4.2	---	---	5	
108.2	4	3-0	7-0	5	5/A4.2	5/A4.2	---	---	5	
109.1	4	3-0	7-0	5	5/A4.2	5/A4.2	---	---	1	
110.1	4	3-0	7-0	5	5/A4.2	5/A4.2	---	---	1	
111.1	4	3-0	7-0	5	5/A4.2	5/A4.2	---	---	1	
112.1	4	3-0	7-0	5	5/A4.2	5/A4.2	---	---	1	
113.1	4	3-0	7-0	5	5/A4.2	5/A4.2	---	---	1	
114.1	4	3-0	7-0	5	5/A4.2	5/A4.2	---	---	1	
115.1	4	3-0	7-0	5	5/A4.2	5/A4.2	---	---	1	
116.1	4	3-0	7-0	5	5/A4.2	5/A4.2	---	---	1	
116.2	4	12-0	14-0	---	5/6/A4.3	14/A4.3	4/A4.3	---	3	
116.3	4	12-0	14-0	---	5/A4.3	14/A4.3	13/A4.3	---	3	
116.4	7	3-0	7-0	5	5/A4.3	14/A4.3	4/A4.3	---	3	
117.1	7	3-0	7-0	5	5/A4.2	5/A4.2	4/A4.3	---	1	2 HR. PARTITION
117.2	4	3-0	7-0	5	5/A4.2	5/A4.2	---	---	3	2 HR. PARTITION
117.3	4	12-0	12-0	---	---	---	---	---	5	
118.1	6	3-0	7-0	5	5/A4.2	5/A4.2	---	---	5	
119.1	6	3-0	7-0	5	5/A4.2	5/A4.2	---	---	5	
120.1	6	3-0	7-0	5	5/A4.2	5/A4.2	---	---	5	
121.1	6	3-0	7-0	5	5/A4.2	5/A4.2	---	---	4	NOT USED
122.1	6	3-0	7-0	5	5/A4.2	5/A4.2	---	---	4	1 HR. PARTITION
123.1	6	3-0	7-0	5	5/A4.2	5/A4.2	---	---	4	

- NOTES:
- COORDINATE SPECIFIC LABELLING REQUIREMENTS FOR OPENINGS WITH APPLICABLE CODES AND CONSTRUCTION OF DOOR AND FRAME ASSEMBLIES.
 - ALL WOOD AND STEEL DOORS TO BE 1 3/4" THICK.
 - SEE SPECIFICATION AND DETAILS FOR SILLS AND THRESHOLDS.
 - PAIN'T ALL HM FRAME P-2.
 - ALL STEEL DOORS WITH CLOSERS TO RECEIVE KICK PLATES ON PUSH SIDE. TYPE A - (DOOR WIDTH MINUS 1") X 10". TYPE B - (DOOR WIDTH MINUS 1") X 30"

3 WINDOW TYPES
1/4" x 1-0"



2 FRAME TYPES
1/4" x 1-0"



NOTE
#4 PAINT ALL HM FRAMES

1 DOOR TYPES
1/4" x 1-0"

