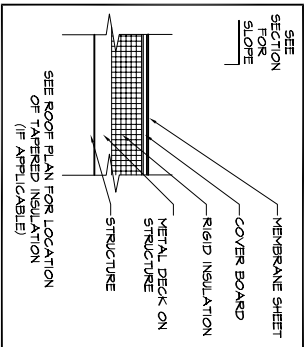
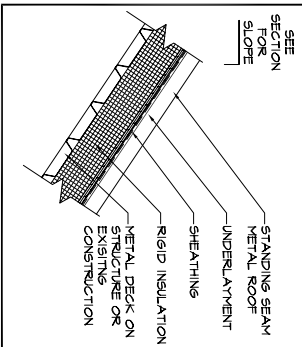


ROOF SYSTEMS



SINGLE-PLY MEMBRANE ROOFING

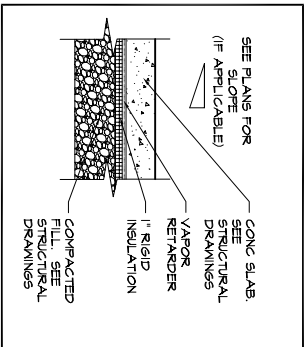
R1



STANDING SEAM METAL ROOF

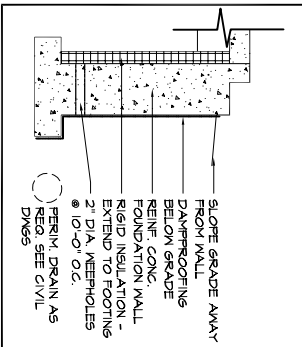
R4

FOUNDATION & FLOOR SYSTEMS



CONCRETE SLAB ON GRADE - INSULATED

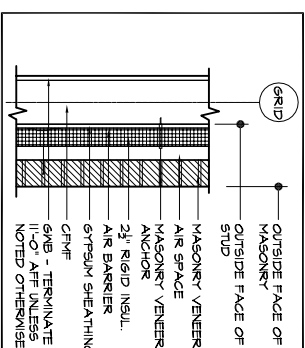
F2



TYP. CONCRETE FOUNDATION WALL

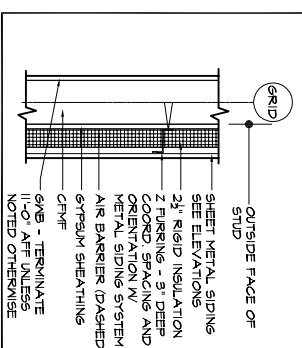
FND1

EXTERIOR WALL SYSTEMS



MASONRY VENEER AT 6" CMF

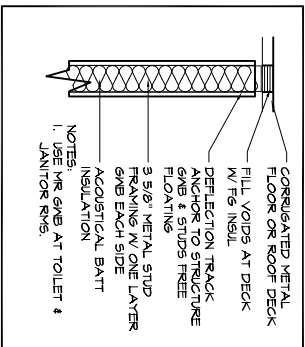
E2A6



SHEET METAL SIDING AT 6" CMF

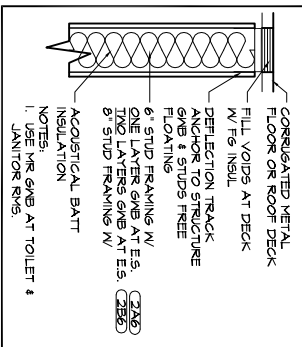
E2B6

INTERIOR WALL SYSTEMS



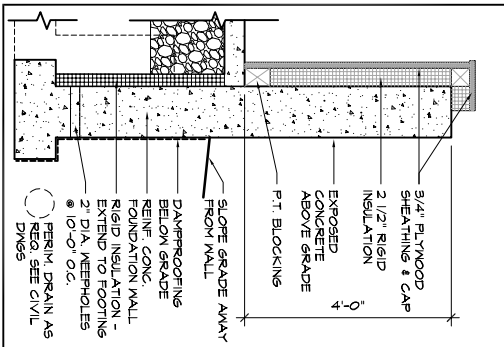
3 1/2" METAL STUD FILL HEIGHT

2A3



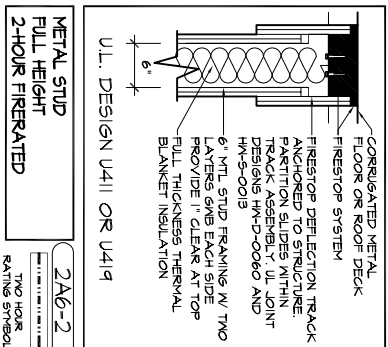
METAL STUD PARTITION FILL HEIGHT

2A6



CONCRETE FOUNDATION WALL

FND6



METAL STUD FILL HEIGHT 2-HOUR FIRE RATED

2A6-2

GENERAL NOTES

1. PROVIDE 1" MIN. CLEAR WHERE ELECTRICAL, MECHANICAL, OR PLUMBING PENETRATE THROUGH WALLS WITH FG BATT INSULATION AT UNRATED WALLS AND FIRESTOPPING SYSTEM AT RATED WALLS.
2. USE PREFORMED COMPRESSED NEOPRENE FILLERS AT TOP OF WALL WHERE EXPOSED.
3. INTERIOR CMU PARTITIONS NOT NOTED OTHERWISE INDICATED ARE TYPE IAS.
4. INTERIOR METAL STUD PARTITIONS NOT NOTED OTHERWISE INDICATED ARE TYPE 2A6.
5. SEE PLANS AND INTERIOR ELEVATIONS FOR LOCATIONS AND APPLICABLE SMOKE- OR FIRE-RATED CMU (GRB).

LEGEND

- MATERIALS**
- GRAVEL
 - CONCRETE MASONRY UNIT
 - BRICK
 - CONCRETE
 - SOIL
 - METAL STUD PARTITION
 - STEEL
 - WOOD FRAMING
 - WOOD BLOCKING
 - PLYWOOD
 - GYPSUM BOARD
 - SUSPENDED ACOUSTIC CEILING
 - BATT INSULATION
 - RIGID INSULATION
 - EXPANSION MATERIAL
 - FINISH WOOD
 - STONE
 - EXISTING CONSTRUCTION TO REMAIN
 - EXISTING WALL TO REMAIN
 - EXISTING WALL TO BE REMOVED

SYMBOLS

- PLUMBING FIXTURE
- BARRIER FREE FIXTURE
- ROOM NUMBER
- DOOR NUMBER
- WINDOW TYPE
- BORROWED LIGHT TYPE
- FLOOR LEVEL CHANGE AT WALL
- BUILDING SECTION
- WALL SECTION
- DETAIL ON DRAWINGS OR IN DETAIL BOOK/VOLUME 3
- WALL OR ROOF TYPE
- INTERIOR ELEVATION
- EXTERIOR ELEVATION
- TOILET REFERENCE
- VERTICAL ELEVATION
- COLUMN CENTERLINE
- 2 HOUR RATED FIRE SEPARATION
- 1 HOUR RATED FIRE SEPARATION
- SMOKE PARTITION