

**City of Portland, Maine - Building or Use Permit Application**

389 Congress Street, 04101 Tel: (207) 874-8703, Fax: (207) 874-8716

Permit No: 07-0010		Issue Date: 12/15/06	CBL: B31 A001001
Location of Construction: 1039 RIVERSIDE ST	Owner Name: 1039 RIVERSIDE LLC	Owner Address: 340 FORE ST	Phone:
Business Name:	Contractor Name: Air Temp	Contractor Address: 11 Wallace Ave South Portland	Phone: 2077742300
Lessee/Buyer's Name	Phone:	Permit Type: HVAC	Zone: I-M
Past Use: Commercial	Proposed Use: Commercial Install a York gas furnace in attic <i>Bldg # 3 original permit 06-0618</i>	Permit Fee: \$380.00	Cost of Work: \$36,000.00
Proposed Project Description: Bldg. # 3 Install a York gas furnace in attic		FIRE DEPT: NFPA 54 <input checked="" type="checkbox"/> Approved <input type="checkbox"/> Denied <i>1 hour rated</i>	INSPECTION: Use Group: U Type: HVAC <i>IMC 2003</i>
		Signature: <i>Craig Case</i>	
		PEDESTRIAN ACTIVITIES DISTRICT (P.A.D.)	
		Action: <input type="checkbox"/> Approved <input type="checkbox"/> Approved w/Conditions <input type="checkbox"/> Denied	
		Signature: _____ Date: _____	

Permit Taken By: dmartin	Date Applied For: 01/02/2007	<b>Zoning Approval</b>		
<ol style="list-style-type: none"> <li>This permit application does not preclude the Applicant(s) from meeting applicable State and Federal Rules.</li> <li>Building permits do not include plumbing, septic or electrical work.</li> <li>Building permits are void if work is not started within six (6) months of the date of issuance. False information may invalidate a building permit and stop all work..</li> </ol>	<b>Special Zone or Reviews</b> <input type="checkbox"/> Shoreland <input type="checkbox"/> Wetland <input type="checkbox"/> Flood Zone <input type="checkbox"/> Subdivision <input type="checkbox"/> Site Plan Maj <input type="checkbox"/> Minor <input type="checkbox"/> MM <input type="checkbox"/> <i>OK</i> Date: <i>1/3/07</i>	<b>Zoning Appeal</b> <input type="checkbox"/> Variance <input type="checkbox"/> Miscellaneous <input type="checkbox"/> Conditional Use <input type="checkbox"/> Interpretation <input type="checkbox"/> Approved <input type="checkbox"/> Denied Date: _____	<b>Historic Preservation</b> <input checked="" type="checkbox"/> Not in District or Landmark <input type="checkbox"/> Does Not Require Review <input type="checkbox"/> Requires Review <input type="checkbox"/> Approved <input type="checkbox"/> Approved w/Conditions <input type="checkbox"/> Denied Date: <i>[Signature]</i>	

**CERTIFICATION**

I hereby certify that I am the owner of record of the named property, or that the proposed work is authorized by the owner of record and that I have been authorized by the owner to make this application as his authorized agent and I agree to conform to all applicable laws of this jurisdiction. In addition, if a permit for work described in the application is issued, I certify that the code official's authorized representative shall have the authority to enter all areas covered by such permit at any reasonable hour to enforce the provision of the code(s) applicable to such permit.

SIGNATURE OF APPLICANT	ADDRESS	DATE	PHONE
RESPONSIBLE PERSON IN CHARGE OF WORK, TITLE		DATE	PHONE

**City of Portland, Maine - Building or Use Permit**

389 Congress Street, 04101 Tel: (207) 874-8703, Fax: (207) 874-8716

Permit No: 07-0010	Date Applied For: 01/02/2007	CBL: 331 A001001
-----------------------	---------------------------------	---------------------

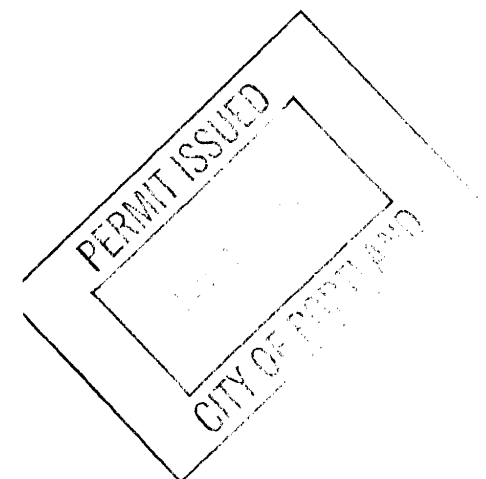
Location of Construction: 1039 RIVERSIDE ST	Owner Name: 1039 RIVERSIDE LLC	Owner Address: 340 FORE ST	Phone:
Business Name:	Contractor Name: Air Temp	Contractor Address: 11 Wallace Ave South Portland	Phone (207) 774-2300
Lessee/Buyer's Name	Phone:	Permit Type: HVAC	

Proposed Use: Commercial Install a York gas furnace in attic - Bldg #3	Proposed Project Description: Bldg. # 3 Install a York gas furnace in attic
---	--

<b>Dept:</b> Zoning	<b>Status:</b> Approved	<b>Reviewer:</b> Marge Schmuckal	<b>Approval Date:</b> 01/03/2007
<b>Note:</b>			<b>Ok to Issue:</b> <input checked="" type="checkbox"/>
<b>Dept:</b> Building	<b>Status:</b> Approved	<b>Reviewer:</b> Tammy Munson	<b>Approval Date:</b> 01/12/2007
<b>Note:</b>			<b>Ok to Issue:</b> <input checked="" type="checkbox"/>
<b>Dept:</b> Fire	<b>Status:</b> Approved with Conditions	<b>Reviewer:</b> Cptn Greg Cass	<b>Approval Date:</b> 01/05/2007
<b>Note:</b>			<b>Ok to Issue:</b> <input checked="" type="checkbox"/>
1) Fuel fired heaters create a hazardous area. HAZARDOUS AREAS SHALL BE ENCLOSED WITH 1 HOUR RATED CONSTRUCTION. OR A SPRINKLER HEAD CAN BE INSTALLED AND THE AREA IS SMOKE PROOF.			

<b>Comments:</b> 1/12/2007-tmm: stamped plans in permit plans of #06-0618
--

*Please  
Mail to  
Air Temp*



**AIRTEMP INC.**  
**MECHANICAL CONTRACTORS**  
**11 WALLACE AVE.**  
**S. PORTLAND ME 04106**  
**207-774-2300**  
**207-871-1345 FAX**

**A COMFORT SYSTEMS USA COMPANY**  
**QUALITY PEOPLE – BUILDING SOLUTIONS**

**SUBMITTAL**

**JOB: BUILDING #3**  
**DATE: 11/21/6**  
**ENGINEER: M.E.P.**  
**MECHANICAL CONTRACTOR: AIRTEMP INC.**  
**AIRTEMP JOB NUMBER: 642**

\*\*\*\*\*

**AIRTEMP IS PLEASED TO SUBMIT THE FOLLOWING ITEMS FOR APPROVAL:**

**AIR HANDLING UNITS 1&2**  
**CONDENSING UNITS 1&2**  
**UNIT HEATER 1**  
**EXHAUST FAN 1**

**PLEASE RETURN 3 COPIES OF REVIEWED SUBMITTALS TO US:**

642



# SUBMITTAL DATA SHEET



**R-22 SPLIT SYSTEM CONDENSING UNITS - Export Only**  
**1.5 THRU 5 TONS**  
**MODELS: 10 SEER H\*RA018 THRU 060, 1 PHASE**

JOB NAME:			LOCATION:		
PURCHASER:			ORDER NO.:		
ENGINEER:					
SUBMITTED TO:	FOR:	REF:	APPROVAL:	CONSTRUCTION:	
SUBMITTED BY:			DATE:		
UNIT DESIGNATION:			SCHEDULE NO.	MODEL NO.	

## PRODUCT DATA

### Cooling Performance

Total Capacity \_\_\_\_\_ MBH  
 Outdoor Design Temp \_\_\_\_\_ °F

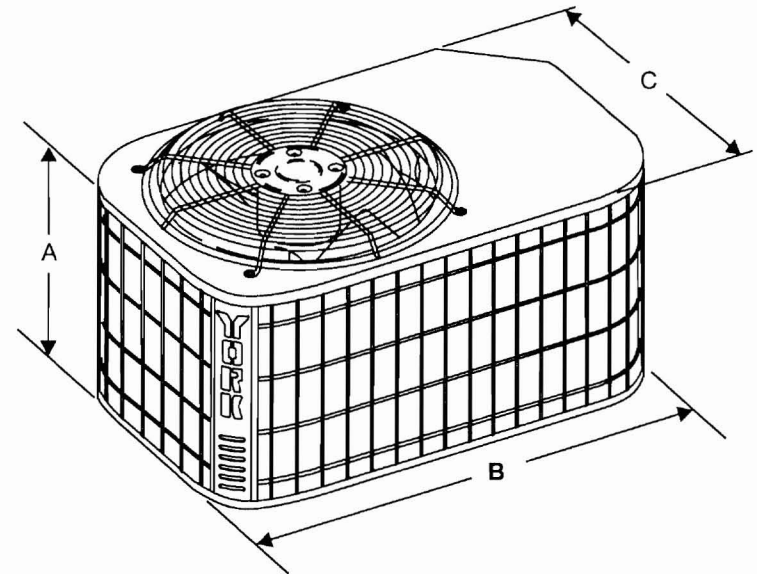
### Electrical Data

Power Supply \_\_\_\_ / \_\_\_\_ / \_\_\_\_  
 Total Unit Ampacity \_\_\_\_\_ AMPs  
 Power Input Req \_\_\_\_\_ KW  
 Minimum Wire Size \_\_\_\_\_ AWG  
 Overcurrent Device  
 Fuses    Circuit Breaker

### Unit Weight

Unit Weight \_\_\_\_\_ LBS

## DIMENSIONS - INCHES



All dimensions are in inches. They are subject to change without notice. Certified dimensions will be provided upon request.

## DIMENSIONS

Unit Model	Dimensions (Inches)			Refrigerant Connection Service Valve Size	
	A <sup>1</sup>	B	C	Liquid	Vapor
018	17	35	23	3/8"	3/4"
024	17	35	23		
030	19	35	23		
036	19	35	23		
042	25	35	23		
048	27	37	27		
060	27	37	27		7/8"

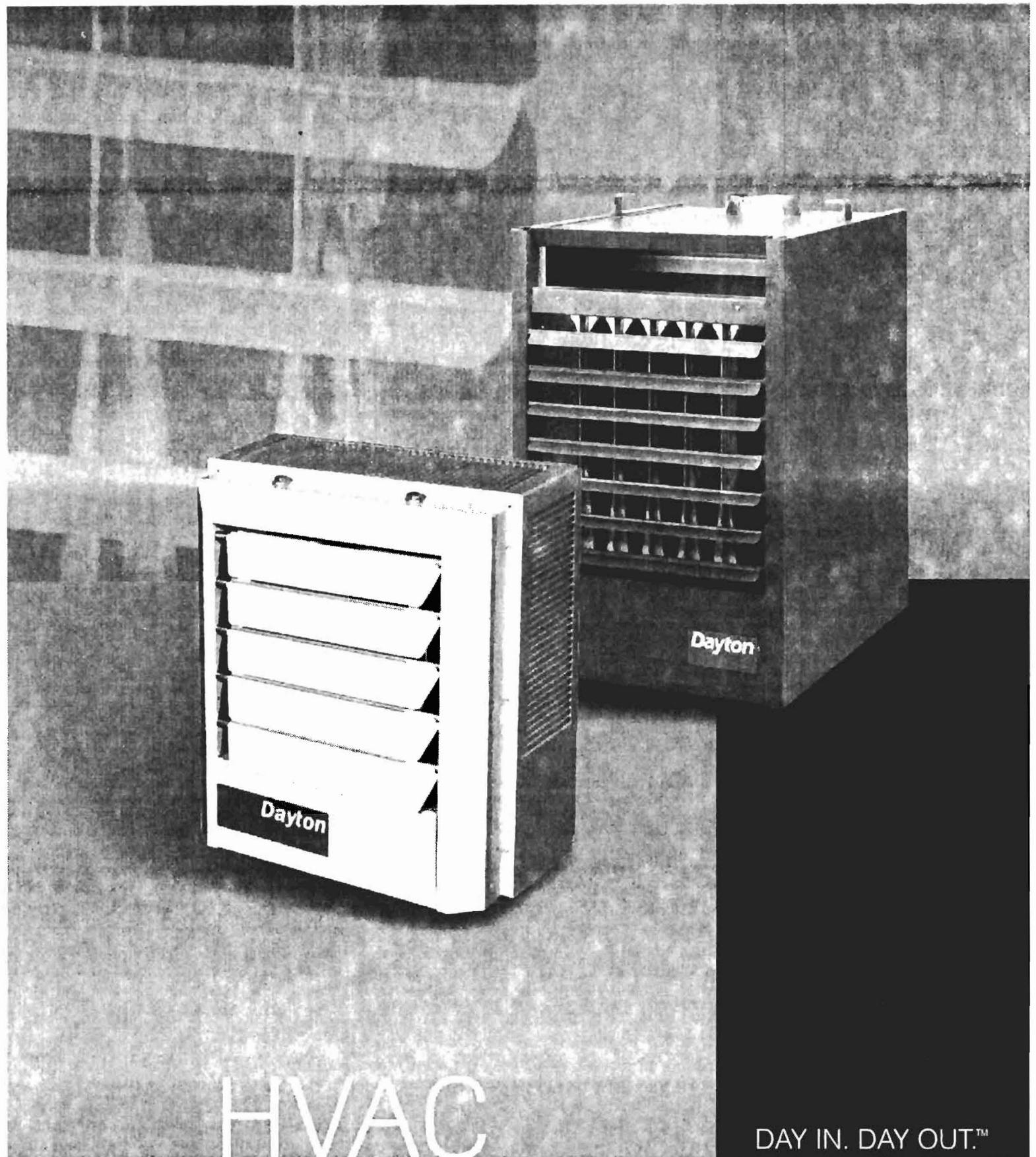
1. Including Fan Guard.



CERTIFICATION APPLIES ONLY  
 WHEN THE COMPLETE  
 SYSTEM IS LISTED  
 WITH ARI



ISO 9001  
 Certified Quality  
 Management System



HVAC

**Unit Heaters**

2006 Specification Guide

DAY IN. DAY OUT.™

**Dayton**

\*Maximum amp rating reflects single phase on combination single/three phase units. To obtain ampere draw on three-phase power supply, divide single-phase rating by 1.73. (†) Air delivery data on dual voltage units reflects high voltage.

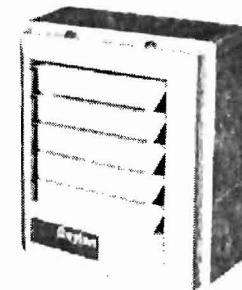
# Unit Heaters

## ELECTRIC UNIT HEATERS

KW	HEATER VOLTAGE	PHASE	MAXIMUM AMP RATING*	AIR RISE AT OUTLET †	H	DIMENSIONS (IN.)		STOCK NO.
						W	D	
3.0	208	1	14.5	27	16	14	8½	3UF78
3.0/2.2	240/208	1	12.5/11.0	27	16	14	8½	3UF75
3.0	277	1	11.0	27	16	14	8½	3UF77
3.0	480	3	3.6	27	16	14	8½	3UF76
5.0	208	1-3	24.0	45	16	14	8½	3UF82
5.0/3.7	240/208	1-3	21.0/18.0	45	16	14	8½	3UF79
5.0	277	1	18.0	45	16	14	8½	3UF81
5.0	480	3	6.0	45	16	14	8½	3UF80
7.5	208	1-3	36.0	37	21¼	19	8½	3UF85
7.5/5.6	240/208	1-3	31.3/27.0	37	21¼	19	8½	3UF83
7.5	480	3	9.0	37	21¼	19	8½	3UF84
10.0	208	1-3	48.0	49	21¼	19	8½	3UF88
10.0/7.5	240/208	1-3	42.0/36.0	49	21¼	19	8½	3UF86
10.0	480	3	12.0	49	21¼	19	8½	3UF87
15.0	208	1-3	72.0	52	21¼	19	13¼	3UF91
15.0/11.2	240/208	3	36.1/31.3	52	21¼	19	13¼	3UF89
15.0	480	3	18.0	52	21¼	19	13¼	3UF90
20.0/15.0	240/208	3	48.0/41.2	48	21¼	19	13¼	3UF92
20.0	480	3	24.0	48	21¼	19	13¼	3UF93
30.0	208	3	84.0	45/53	30	26⅝	13¼	3UF96
30.0/22.5	240/208	3	72.3/63.0	45/53	30	26⅝	13¼	3UF94
30.0	480	3	36.0	45/53	30	26⅝	13¼	3UF95
50.0/37.5	240/208	3	120.4/104.2	53/61	30	26⅝	18⅞	3UF97
50.0	480	3	60.2	53/61	30	26⅝	18⅞	3UF98

Advanced pull-through air flow design draws air across heating element for more even air distribution and cooler element operation. Automatic reset linear thermal protector provides protection over entire length of element area to disconnect heater if normal operating temperatures are exceeded. Specially designed venturi outlet with large dynamically balanced fan blade provides maximum air flow. Heavy-duty, totally enclosed motors. Aluminum-finned, copper-clad steel sheath heating element. Heavy-gauge, neutral gray die-formed steel housing.

24V low voltage control circuit standard on all models except 3 and 5KW 208, 240/208 and 277V units (line voltage control on these models). **Thermostat not included.** All heaters have four top and four back threaded, reinforced holes for field mounting with 5/16"-18" thread rods (not included).



## LOW PROFILE GARAGE HEATERS

Btu/H Input	AIR TEMP. RISE (°F)	GAS INLET (IN.)	FLUE (IN.)	O.C. MFG. DIMEN. (IN.)	H	DIMENSIONS (IN.)		NG STOCK NO.	LP STOCK NO.
						W	D		
30,000	45	1/2	4	21½	13	28⅞	25½	4LX42	4LX41
45,000	45	1/2	4	21½	13	28⅞	25½	4LX44	4LX43
60,000	45	1/2	4	21½	18¼	28⅞	26⅞	4LX46	4LX45
75,000	45	1/2	4	21½	18¼	28⅞	26⅞	4LX48	4LX47
90,000	45	1/2	4	21½	18¼	28⅞	26⅞	4LX50	4LX49

Four-point suspension heaters are approved for installation in residential garage, commercial, and industrial applications. Power vented, propeller-type unit heaters include the latest tubular heat exchanger and inshot burner technology. Hot surface pilot ignition system assures positive and reliable burner ignition. **Uses a 24V thermostat, not included.**

For altitudes above 2000 ft., consult owner's manual prior to installation for proper adjustments.




 Site Search  
[What's New](#) [FAQ](#) [Company Info](#) [Table of Contents](#) [Contact Us](#)
[Rep Login](#) [Dist Login](#)

Improving  
Indoor Air Quality  
Through Better  
Ventilation

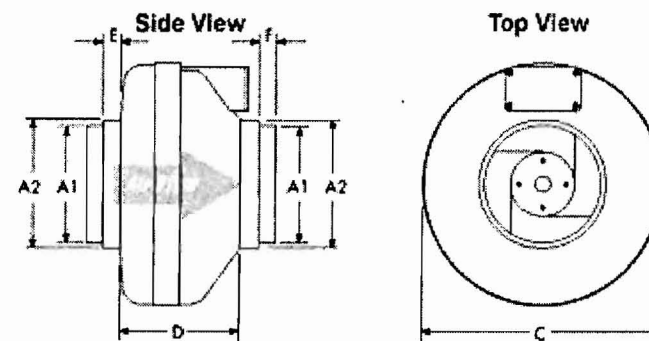
 Product Lines: 
[Inline Duct Fans](#)
[Dryer Booster Fans](#)
[Exterior Fans](#)
[Exhaust Fans](#)
[Axial Fans](#)
[Raden Fans](#)
[TurboPro Commercial Fans](#)
[Whole House HEPA Filtration](#)
[Heat Recovery Ventilators](#)
[Energy Recovery Ventilators](#)
[Air Curaine](#)
[Grilles & Dampers](#)
[Accessories](#)


## FR Series Fans - Specifications

### Dimensional Data

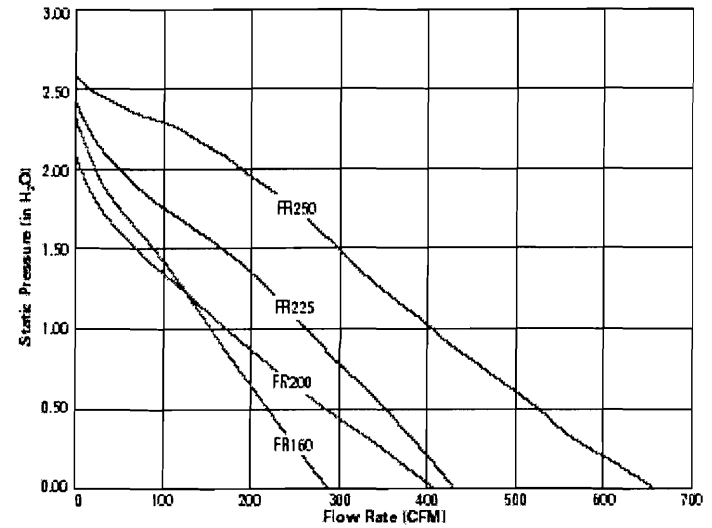
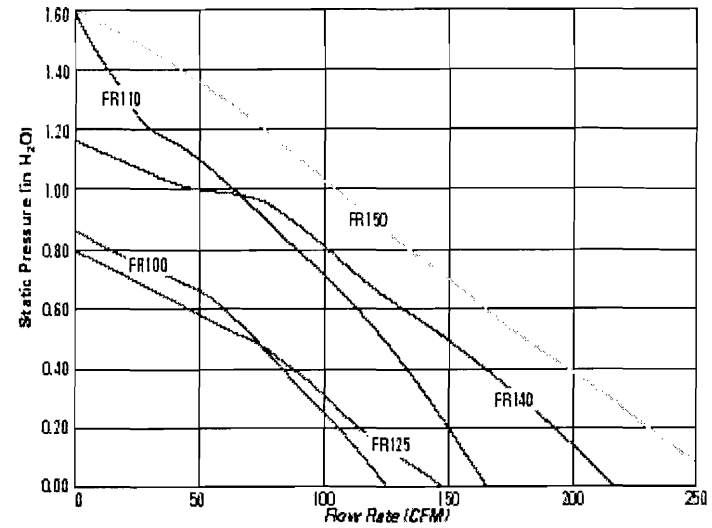
Model	*A1	A2	C	D	E	F
FR 100	4	5	9 1/2	6 1/8	7/8	7/8
FR 110	4	5	9 1/2	6 1/8	7/8	7/8
FR 125	-	5	9 1/2	6 1/8	7/8	-
FR 140	6	6 1/4	11 3/4	5 7/8	1	7/8
FR 150	6	6 1/4	11 3/4	5 7/8	1	7/8
FR 160	6	6 1/4	11 3/4	6 3/8	1	7/8
FR 200	8	10	13 1/4	6 1/4	1 1/2	1 1/2
FR 225	8	10	13 1/4	6 1/4	1 1/2	1 1/2
FR 250	-	10	13 1/4	6 1/4	1 1/2	-

All dimensions in inches.  
\*) Duct connections are  
1/8" smaller than duct size.



### Air Performance Graphs





**Performance Data**

Fan Model	Energy Star	RPM	Volts	Rated Watts	Wattage Range	Max. Amps	0"	.2"	.4"	.6"	.8"	1.0"	1.5"	Max. Ps	Duct Dia.
FR 100	V	2900	115	19	13-19	0.18	122	100	78	55	15	-	-	0.87"	4"
FR 110	-	2900	115	80	62-80	0.72	167	150	133	113	88	63	4	1.60"	4"
FR 125	V	2950	115	18	15-18	0.18	148	120	88	47	-	-	-	0.79"	5"
FR 140	V	2850	115	61	47-62	0.53	214	190	162	132	99	46	-	1.15"	6"
FR 150	V	2700	115	71	54-72	0.67	263	230	198	167	136	106	17	1.58"	6"
FR 160	-	2750	115	129	103-130	1.14	289	260	233	206	179	154	89	2.32"	6"
FR 200	V	2750	115	122	106-128	1.11	408	360	308	259	213	173	72	2.14"	8"
FR 225	V	3100	115	137	111-152	1.35	429	400	366	332	297	260	168	2.48"	8"
FR 250	-	2850	115	241	146-248	2.40	649	600	553	506	454	403	294	2.58"	10"

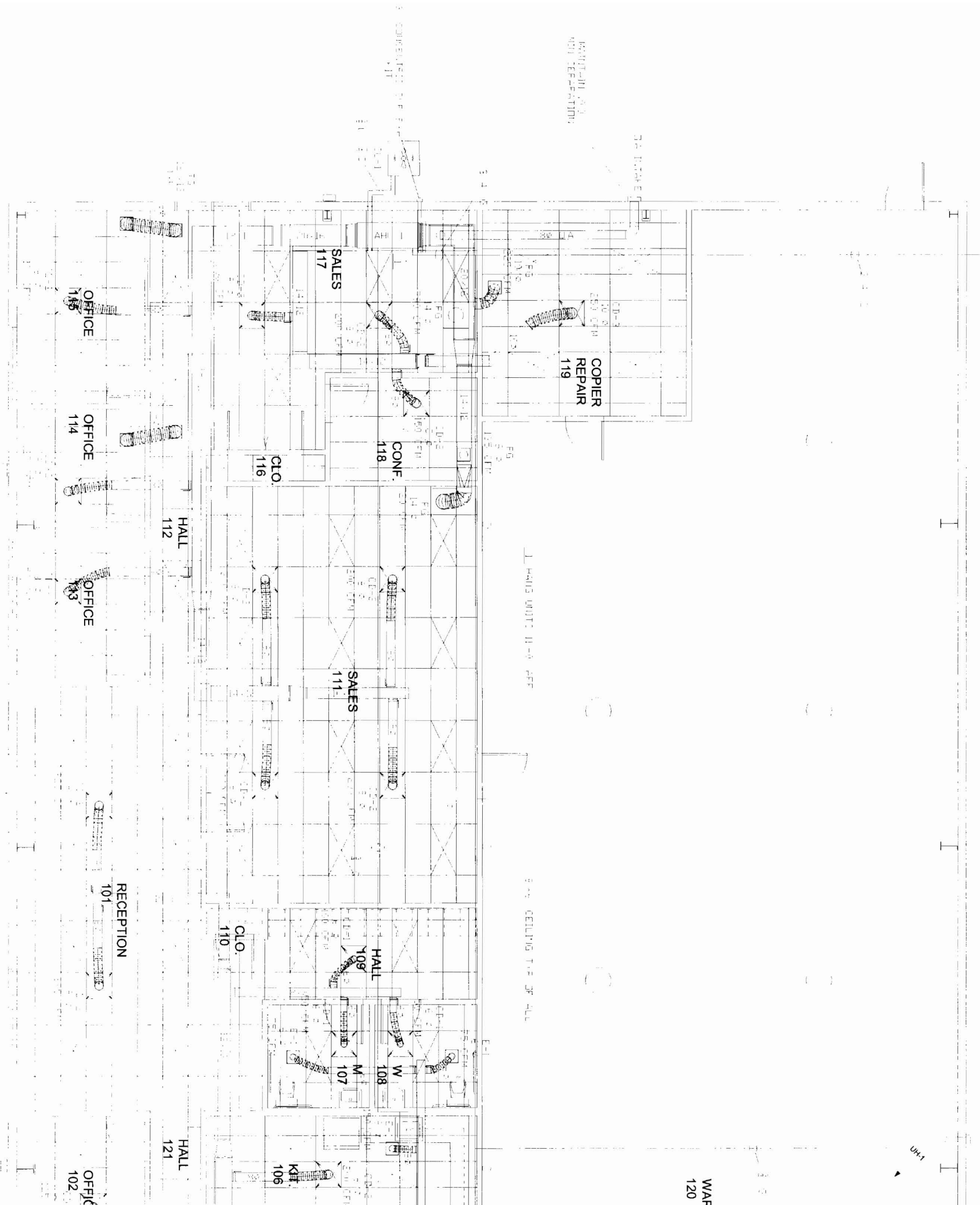
FR Series performance is shown with ducted outlet. Per HVI's Certified Ratings Program, charted air been derated by a factor based on actual test results and the certified rate at .2 inches WG.



Static Pressure in Inches W.G.

**Inlet and Exhaust Accessories**

Fantech reserves the right to modify, at any time and without notice, any or all of its products' features, designs, components and specifications, to maintain their technological leadership position.



RECEPTION AND  
NOT REPAIRATION

COPIER  
REPAIR  
119

CONF.  
118

SALES  
117

CLO.  
116

OFFICE  
115

OFFICE  
114

OFFICE  
113

HALL  
112

SALES  
111

CLO.  
110

HALL  
109

W  
108

M  
107

KITCHEN  
106

RECEPTION  
101

OFFICE  
102

HALL  
121

WAR  
120

ELECTRICAL LIGHTING PLAN

SCALE 1/4" = 1'-0"

